

Technical Data

Pump Name

100 DL 518

Customer	Date	2024-06-13	Company
Contact	Item no.		Issued by
Phone	Project		Phone
E-mail	Project ID	Proiect redenumit 2024-06-13 13:12:02	E-mail

Requested data

1	Pump type		SUBMERSIBLE SEWAGE PUMP-Non-clog	Fluid		Water
2	Number of pumps / Reserve	1 / 0		Liquid temperature	°C	20
3	Flow	m³/h		Kin. viscosity	mm²/s	1.005
4	Head	m		Vapour pressure	bar	0.0234
5	Geodetic head	m		PH value		
6	Inlet pressure (pin)	bar	0	Density	kg/m³	998.3
7	Available system NPSH			Solids	Weight %	0
8	Ambient temperature	°C	20			

Pump

9	Pump Name		100 DL 518	Frequency	Hz	50
10	Design		SUBMERSIBLE SEWAGE PUMP-Non-clog	Installation type		STANDARD
11	Manufacturer		EBARA	Impeller Diameter	Max. mm	352
12	Speed	rpm	1450		Designed mm	352
13	No. of Stage		1		Min. mm	352
14	Connection	Suction side		Flow	Operating m³/h	
15	Connection	Discharge side	JIS 10K		Max- m³/h	168
16	Max Working Pressure	bar			Min- m³/h	30
17	Shut-off head	bar	4.05	Head	Operating m	
18	Total weight	kg	See the table of "Dimensions".		- (Qmax.) m	21.4
19	Shaft power	kW			- (Qmin.) m	39.3
20				Max. Shaft Power at max. impeller	kW	18.09
21	Required pump NPSH	m		Efficiency	%	

Materials

22	Casing		FC200	Mechanical seal (Lower)		SiC/SiC
23	Suction Cover		FC200	Lubricating Oil		Turbine Oil VG32
24	Impeller		FCD400			
25	Shaft		SUS403			
26	Motor frame		FC150			
27	Mechanical seal (Upper)		Carbon/Ceramic			

Motor

28	Manufacturer		--	Insulation class		F
29	Type		DL 518_380_Three phase	Phases		3~
30	Specific design		Submersible dry type / 50 Hz / Pole pairs 2	Frame size		
31	Rated power	kW	18.5	Weight	kg	
32	Number of poles		4	Electric voltage	V	380
33	Speed	rpm	1470	Electric current	A	36.5
34	Degree of protection		IP68			
35						

Remarks

Performance Curve

Pump Name

100 DL 518

Customer	Date	2024-06-13	Company
Contact	Item no.		Issued by
Phone	Project		Phone
E-mail	Project ID	Proiect redenumit 2024-06-13 13:12:02	E-mail

Requested data

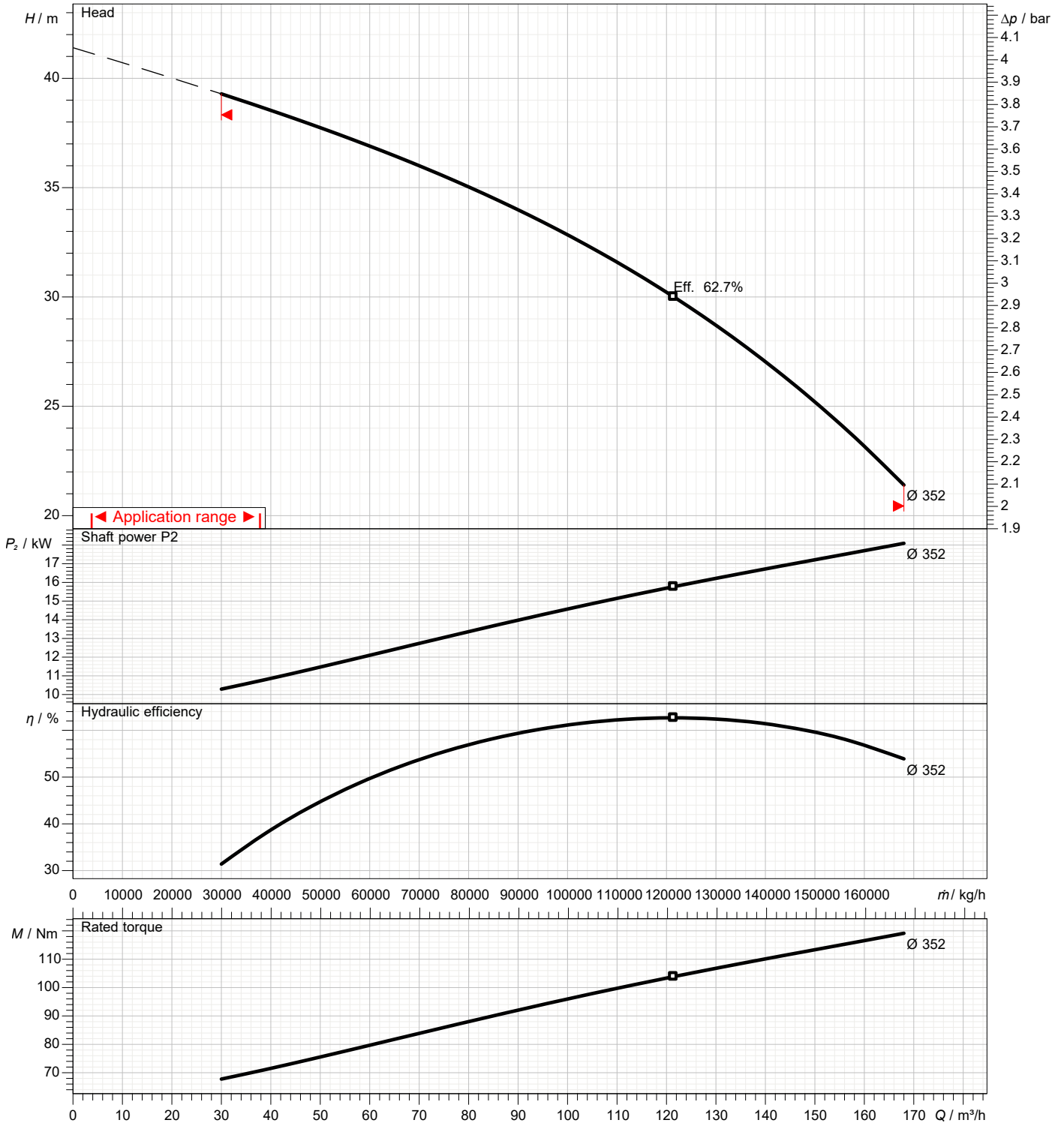
1	Flow	m³/h	
2	Head	m	
3	Geodetic head	m	

Pump

Operating flow	m³/h		Frequency	Hz	50
Operating head	m		Number of poles		4
Impeller diameter designed	mm	352	Speed	rpm	1450

Test standard: ISO 9906:2012 - Grade3B

Water; 20°C; 998.3kg/m³; 1mm²/s

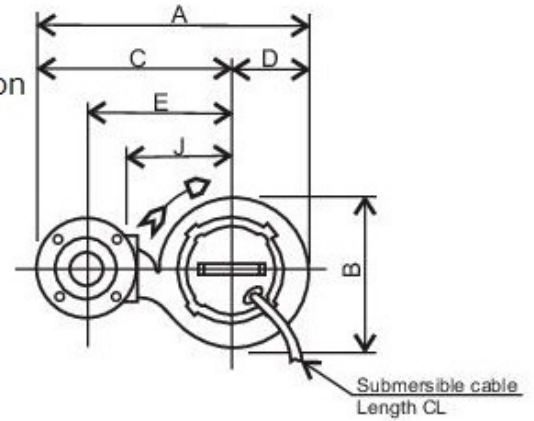
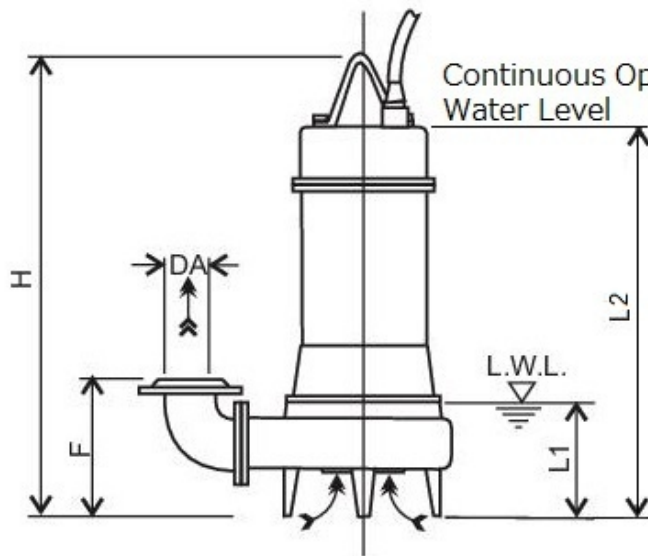


Dimensions

Pump name

100 DL 518

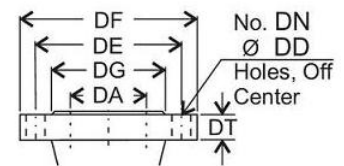
Customer	Date	2024-06-13	Company
Contact	Item no.		Issued by
Phone	Project		Phone
E-mail	Project ID	Project redenumit 2024-06-13 13:12:02	E-mail



Note:

- 1/. Operation is limited to 10 minutes at L.W.L. (Low Water Level).
- 2/. Operation is limited 30 minutes with water level below top of motor

Discharge Flange Dimensions
(JIS 10kgf/cm²)



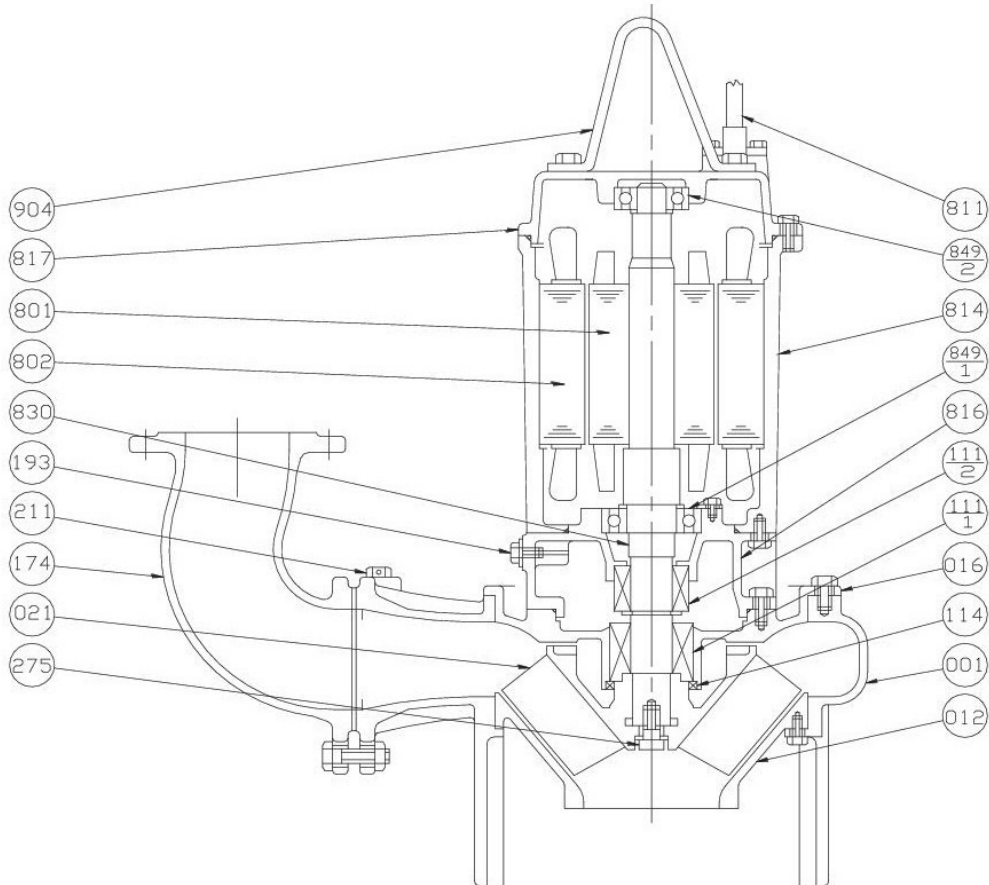
Pump dimensions		mm		Suction side		mm		Discharge side		mm	
A	741					DA	100				
B	441					DD	15				
C	520					DE	175				
CL	10m					DF	210				
D	221					DG	151				
E	415					DN Num	8 (Num)				
F	330					DT	20				
H	958										
J	310										
L1	205										
L2	798										

Construction

Pump name

100 DL 518

Customer	Date 2024-06-13	Company
Contact	Item no.	Issued by
Phone	Project	Phone
E-mail	Project ID Proiect redenumit 2024-06-13 13:12:02	E-mail



*: 2 FOR POWER AND 1 FOR CONTROL CABLE (THERMAL PROTECTOR)

Item Number	Description	Material	Quantity per unit
001	Pump Casing	FC200 Cast iron	1
012	Suction Cover	FC200 Cast Iron	1
016	Mechanical Seal Cover	FC200 Cast iron	1
021	Impeller	FC200 Cast iron	1
111-1	Mechanical Seal		1
111-2	Mechanical Seal		1
114	Oil Seal	NBR Rubber	1
174	Discharge Bend	FC200 Cast iron	1
193	Oil Plug	C3604 or SUS304 Brass or 304 Stainless Steel	1
211	Airvent Valve	C3604 Brass	1
275	Impeller Bolt	SUS304 Stainless Steel	1

Item Number	Description	Material	Quantity per unit
801	Rotor		1
802	Stator		1
811	Submersible Cable		3 *
814	Motor Frame	FC150 Cast Iron	1
816	Power Side Bracket	FC150 Cast Iron	1
817	Opposite Side Bracket	FC150 Cast Iron	1
830	Shaft	SUS403 Stainless Steel	1
849-1	Ball Bearing		1
849-2	Ball Bearing		1
904	Lifting Hanger	SS Steel	1