

Technical Data

Pump Name

150 DL 545 - C

Customer	Date	2024-06-13	Company
Contact	Item no.		Issued by
Phone	Project		Phone
E-mail	Project ID	Project redenumit 2024-06-13 13:12:02	E-mail

Requested data

1	Pump type		SUBMERSIBLE SEWAGE PUMP-Non-clog	Fluid		Water
2	Number of pumps / Reserve	1 / 0		Liquid temperature	°C	20
3	Flow	m³/h		Kin. viscosity	mm²/s	1.005
4	Head	m		Vapour pressure	bar	0.0234
5	Geodetic head	m		PH value		
6	Inlet pressure (pin)	bar	0	Density	kg/m³	998.3
7	Available system NPSH			Solids	Weight %	0
8	Ambient temperature	°C	20			

Pump

9	Pump Name	150 DL 545 - C	Frequency	Hz	50			
10	Design	SUBMERSIBLE SEWAGE PUMP-Non-clog	Installation type		STANDARD			
11	Manufacturer	EBARA	Impeller Diameter	Max.	mm	350		
12	Speed	rpm		1450	Designed	mm	350	
13	No. of Stage	1		Min.	mm	350		
14	Connection	Suction side	Flow	Operating	m³/h			
15	Connection	Discharge side		JIS	10K	Max-	m³/h	600
16	Max Working Pressure	bar			Min-	m³/h	60	
17	Shut-off head	bar	4.65	Head	Operating	m		
18	Total weight	kg	See the table of "Dimensions".		- (Qmax.)	m	13.0	
19	Shaft power	kW			- (Qmin.)	m	44.1	
20				Max. Shaft Power at max. impeller	kW	43.40		
21	Required pump NPSH	m		Efficiency	%			

Materials

22	Casing	FC200	Mechanical seal (Lower)	SiC/SiC
23	Suction Cover	FC200	Lubricating Oil	Turbine Oil VG32
24	Impeller	FCD400		
25	Shaft	SUS403		
26	Motor frame	FC200		
27	Mechanical seal (Upper)	Carbon/Ceramic		

Motor

28	Manufacturer	--	Insulation class	F		
29	Type	DL 545_380_Three phase	Phases	3~		
30	Specific design	Submersible dry type / 50 Hz / Pole pairs 2	Frame size			
31	Rated power	kW	45	Weight	kg	
32	Number of poles	4	Electric voltage	V	380	
33	Speed	rpm	1467	Electric current	A	88
34	Degree of protection	IP68				
35						

Remarks

Performance Curve

Pump Name

150 DL 545 - C

Customer	Date	2024-06-13	Company
Contact	Item no.		Issued by
Phone	Project		Phone
E-mail	Project ID	Proiect redenumit 2024-06-13 13:12:02	E-mail

Requested data

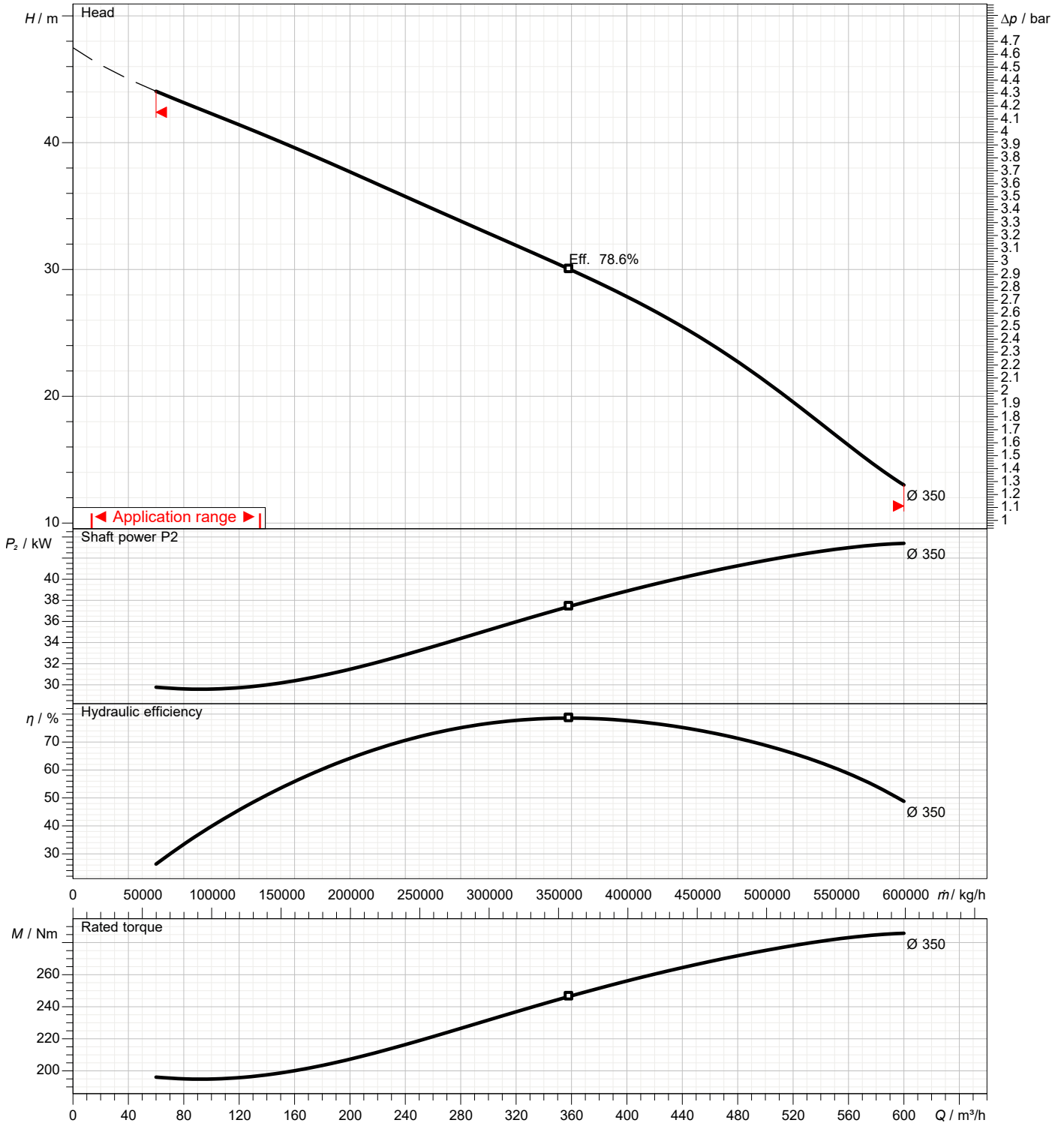
1	Flow	m³/h	
2	Head	m	
3	Geodetic head	m	

Pump

Operating flow	m³/h		Frequency	Hz	50
Operating head	m		Number of poles		4
Impeller diameter designed	mm	350	Speed	rpm	1450

Test standard: ISO 9906:2012 - Grade3B

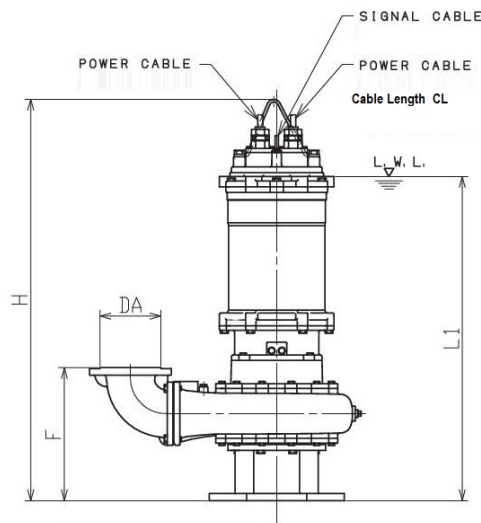
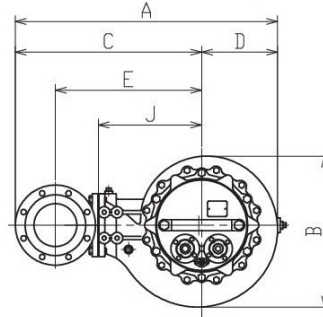
Water; 20°C; 998.3kg/m³; 1mm²/s



Dimensions

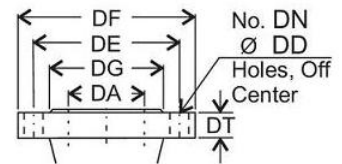
Pump name 150 DL 545 - C

Customer	Date 2024-06-13	Company
Contact	Item no.	Issued by
Phone	Project	Phone
E-mail	Project ID Proiect redenumit 2024-06-13 13:12:02	E-mail



Note: Weight of discharge elbow is not included.

Discharge Flange Dimensions
(JIS 10kgf/cm²)

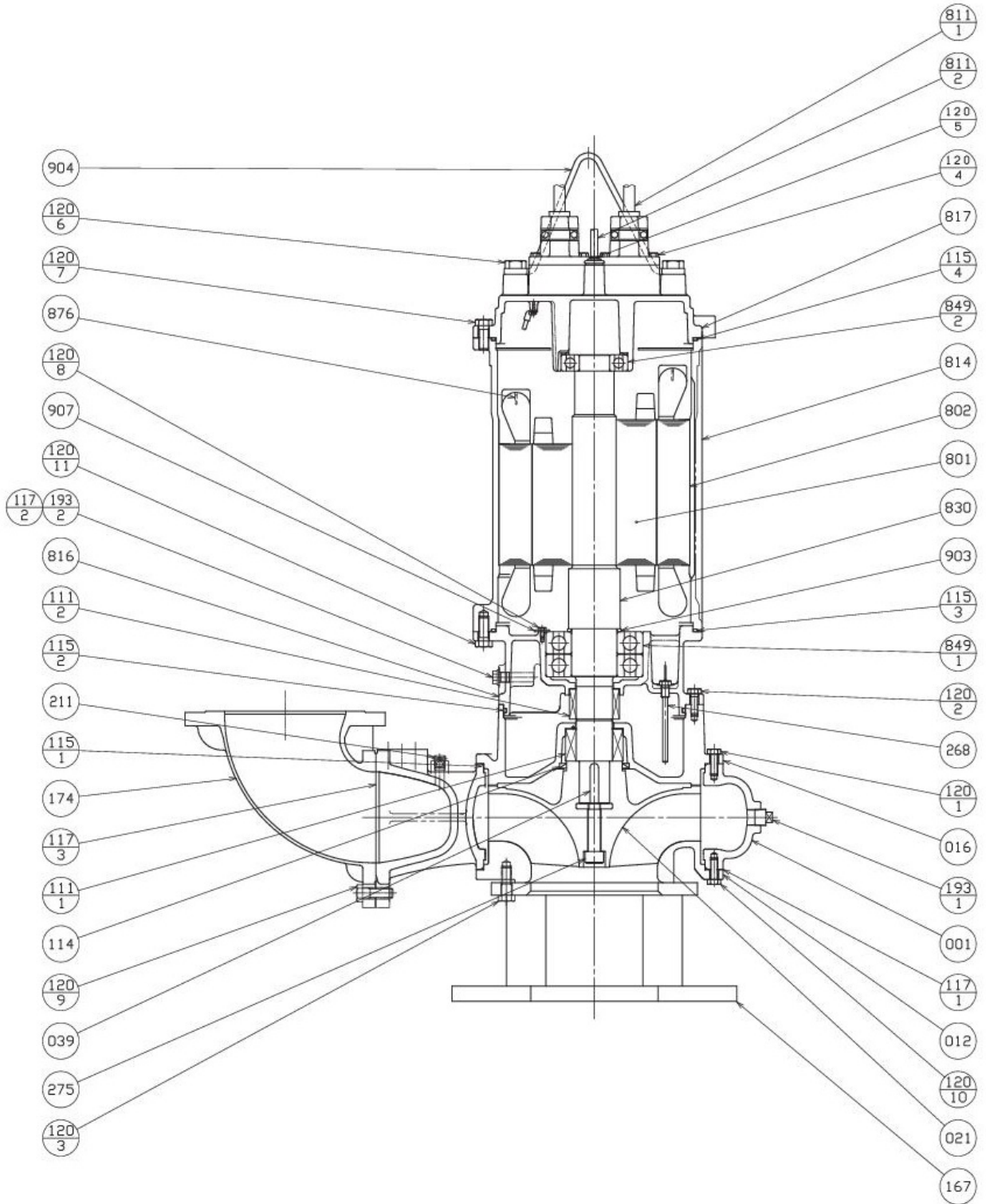


Pump dimensions		mm		Suction side		mm		Discharge side		mm	
A	912					DA	150				
B	520					DD	19				
C	650					DE	240				
CL	10m					DF	280				
D	262					DG	212				
E	510					DN Num	8 (Num)				
F	468					DT	22				
H	1434										
J	360										
L1	1165										

(1/2) Construction

Pump name 150 DL 545 - C

Customer	Date 2024-06-13	Company
Contact	Item no.	Issued by
Phone	Project	Phone
E-mail	Project ID Proiect redenumit 2024-06-13 13:12:02	E-mail



(2/2)

Construction

Pump name 150 DL 545 - C

Customer	Date	2024-06-13	Company
Contact	Item no.		Issued by
Phone	Project		Phone
E-mail	Project ID	Proiect redenumit 2024-06-13 13:12:02	E-mail

907	BEARING COVER	SPCC	4	
904	LIFTING HANGER	SS400	1	
903	DISTANCE PIECE	SS400	1	
876	THERMAL PROTECTOR		2	
849-2	BALL BEARING		1	
849-1	BALL BEARING		1	
830	SHAFT	SUS420J2	1	
817	MOTOR COVER	FC200	1	
816	LOWER BRACKET	FC200	1	
814	MOTOR FRAME	FC200	1	
811-2	SUBMERSIBLE CABLE		1	SIGNAL CABLE
811-1	SUBMERSIBLE CABLE		1	POWER SUPPLY
802	STATOR		1	
801	ROTOR		1	
275	IMPELLER BOLT	SUS304	1	
268	LEAKAGE DETECTOR		1	
211	AIR VENT VALVE		1	
193-2	OIL PLUG	SUS304	2	
193-1	PLUG	SUS304	2	
174	DISCHARGE ELBOW	FC200	1	
167	PEDESTAL	SS400	1	
120-11	BOLT	SUS304	6	
120-10	BOLT	SUS304	12	
120-9	BOLT	SUS304	4	
120-8	BOLT	SUS304	4	
120-7	BOLT	SUS304	6	
120-6	BOLT	SUS304	2	
120-5	BOLT	SUS304	2	
120-4	BOLT	SUS304	8	
120-3	BOLT	SUS304	8	
120-2	BOLT	SUS304	4	
120-1	BOLT	SUS304	12	
117-3	FLANGE GASKET	JOINT SHEET	1	
117-2	PLUG GASKET	JOINT SHEET	2	
117-1	SHEET GASKET	JOINT SHEET	—	
115-4	O-RING	NBR	1	
115-3	O-RING	NBR	1	
115-2	O-RING	NBR	1	
115-1	O-RING	NBR	1	
114	OIL SEAL	NBR	1	
111-2	MECHANICAL SEAL	CERAMICS/CARBON	1	
111-1	MECHANICAL SEAL	SiC/SiC	1	
039	KEY	SUS420J2	1	
021	IMPELLER	FCD400	1	
016	MECHANICAL SEAL COVER	FC200	1	
012	SUCTION COVER	FC200	1	
001	CASING	FC200	1	
No.	NAME	MATERIAL	QUANT	COMMENT