

# Technical Data

Booster set name

2GPE EVMSG10 5N5/2,2 ESPM

Customer	Date	09.06.2024	Company
Contact	Item no.		Issued by
Phone	Project		Phone
E-mail	Project ID		E-mail

## Requested data

1	Pump type	Booster Set	Fluid	Water
2	Number of pumps	2	Liquid temperature °C	20
3	Flow m <sup>3</sup> /h		Kin. viscosity cSt	1.005
4	Head m		Vapour pressure kPa	2.34
5	Geodetic head m		PH value	
6	Inlet pressure kPa	0	Density kg/m <sup>3</sup>	998.3
7	Available system NPSH	Ask our technical department.	Solids Weight %	0
8	Ambient temperature °C	20	Installation height m	100

## Booster Set

9	Booster set name	2GPE EVMSG10 5N5/2,2 ESPM	Frequency Hz	50	
10	Design	Booster Set			
11	Manufacturer	EBARA	Impeller Dia.	Max. mm	96
12	Speed rpm	2890		Designed mm	96
13	No. of Stage	5		Min. mm	96
14	Connection Suction side	UNI EN ISO 228 PN16	Flow	Operating m <sup>3</sup> /h	
15	Connection Discharge side	UNI EN ISO 228 PN16		Max- m <sup>3</sup> /h	15
16	Max Working Pressure kPa	1600		Min- m <sup>3</sup> /h	4.5
17	Shut-off head kPa	529.77	Head	Operating m	
18	Total weight kg	See the table of "Dimensions".		- (Qmax.) m	24.2
19	Shaft power kW			- (Qmin.) m	52.7
20			Max. Shaft Power at max. impeller kW	1.84	
21	Required NPSH m		Efficiency %		

## Materials

22	Frame	Galvanized steel	Shaft	AISI 304
23	Manifold	AISI 304	O-ring	EPDM
24	Check valve	Brass / NBR		
25	Ball / Butterfly valve	Brass / PTFE		
26	Impeller	AISI 304		
27	Casing	Cast iron		

## Motor

28	Manufacturer	ETM	Insulation class	F
29	Type	TEFC_EVMS10 5/2.2_230_Three Phase	Phases	3~
30	Specific design	IE3 / 50 Hz / Pole pairs 1	Frame size	90
31	Rated power kW	2.2	Weight; motor kg	15
32	Number of poles	2	Electric voltage V	230
33	Speed rpm	2875	Electric current A	8.2
34	Degree of protection	IP 55		
35				

## Remarks

# Performance curve

Booster set name

2GPE EVMSG10 5N5/2,2 ESPM

Customer	Date	09.06.2024	Company
Contact	Item no.		Issued by
Phone	Project		Phone
E-mail	Project ID		E-mail

## Requested data

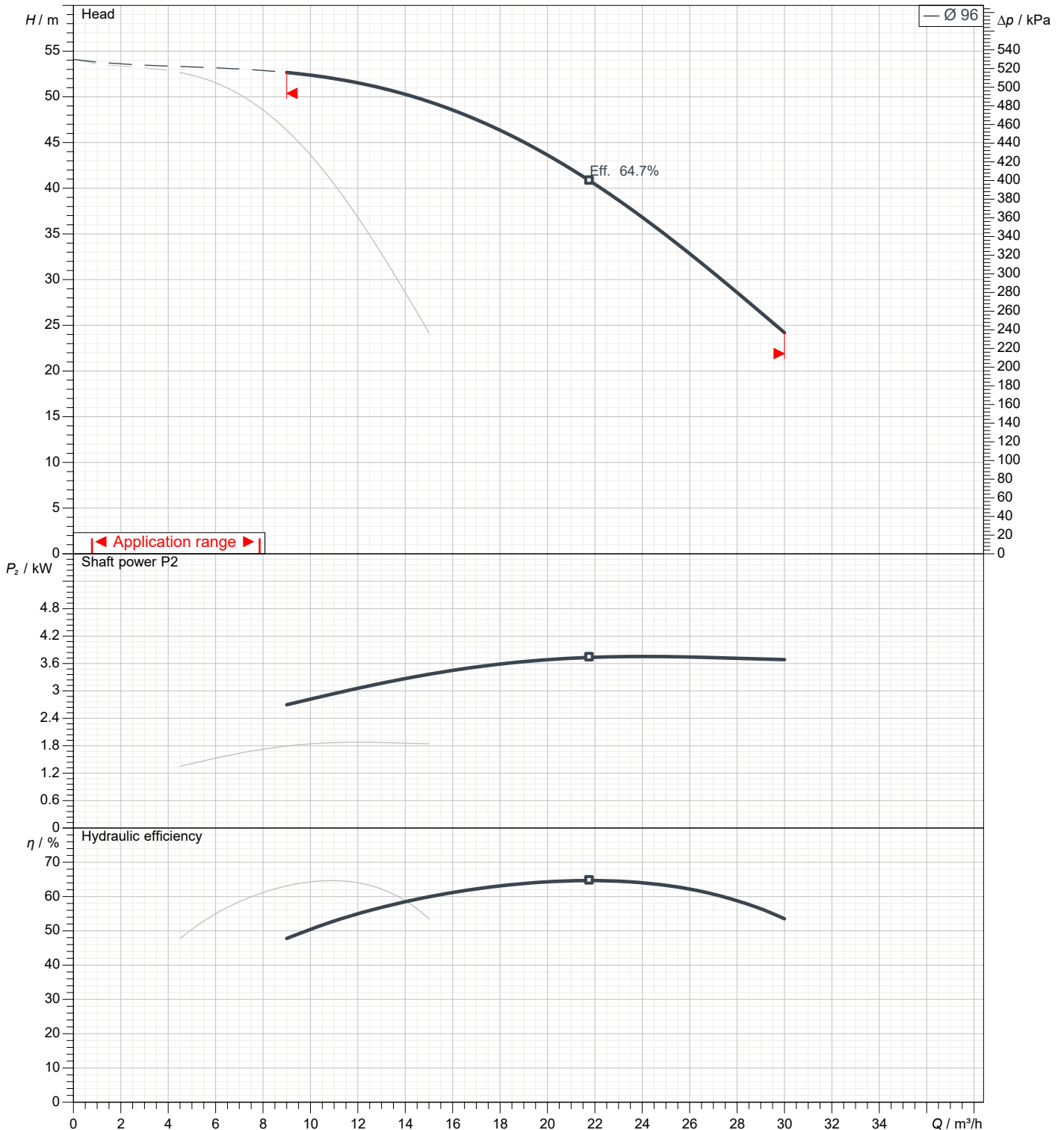
1	Flow	m³/h	
2	Head	m	
3	Geodetic head	m	

## Booster set

Operating flow	m³/h		Frequency	Hz	50
Operating head	m		Number of poles		2
ImpellerDiameter Designed	mm	96	Speed	rpm	2890

Test standard: ISO 9906:2012 - Grade3B

Water; 20°C; 998.3kg/m³; 1cSt

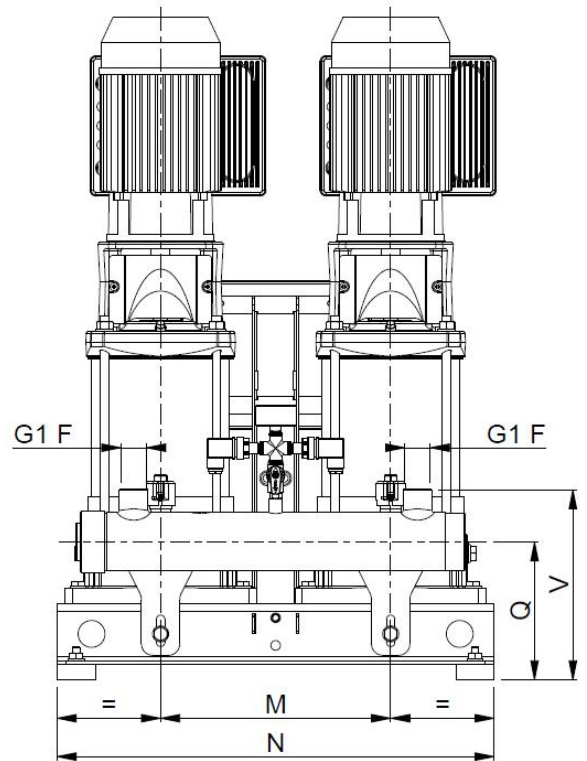
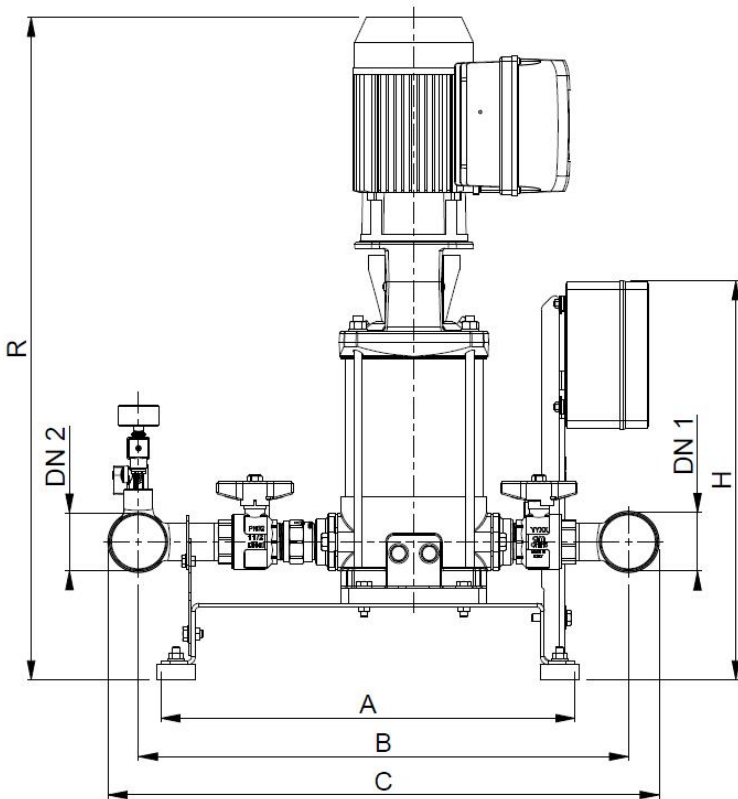


# Dimensions

Booster set name

2GPE EVMSG10 5N5/2,2 ESPM

Customer	Date 09.06.2024	Company
Contact	Item no.	Issued by
Phone	Project	Phone
E-mail	Project ID	E-mail



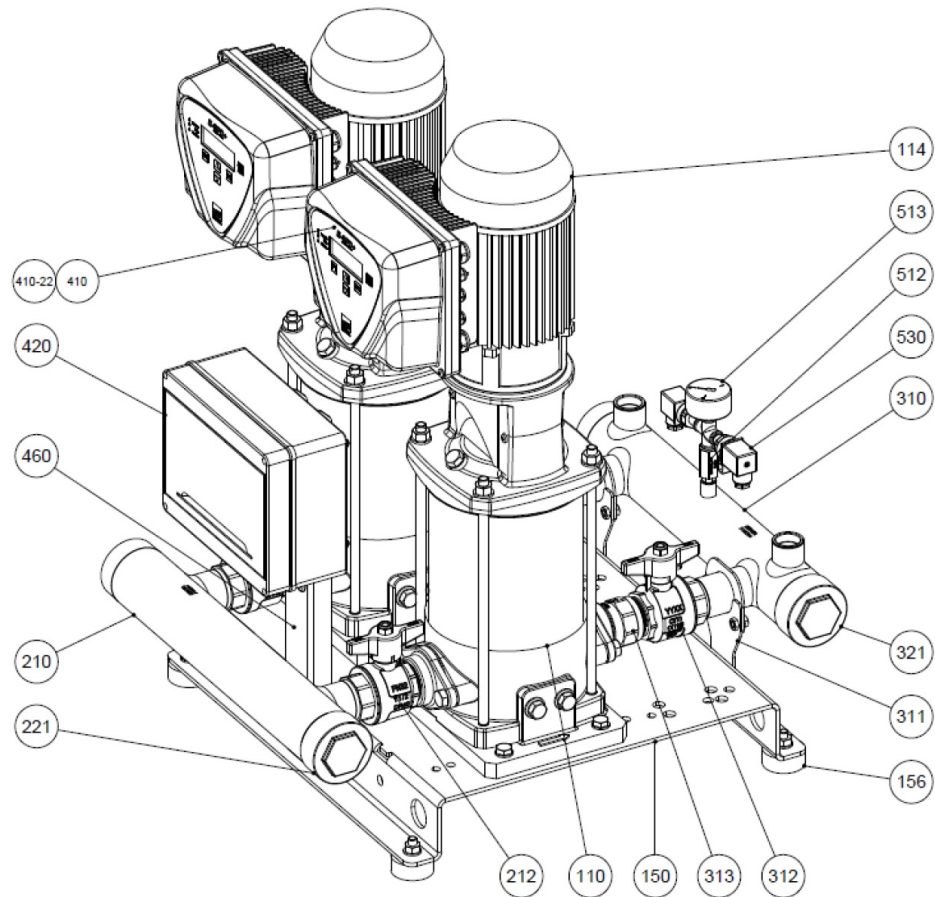
Dimensions in		mm						
1	A	540						
2	B	640						
3	C	720						
4	DN1	G 2 1/2						
5	DN2	G 2 1/2						
6	H	520						
7	M	300						
8	N	570						
9	Q	180						
10	R	834						
11	V	250						
12	Weight kg	115						
13								
14								
15								

# (1/2) Construction

Booster set name

2GPE EVMSG10 5N5/2,2 ESPM

Customer	Date 09.06.2024	Company
Contact	Item no.	Issued by
Phone	Project	Phone
E-mail	Project ID	E-mail

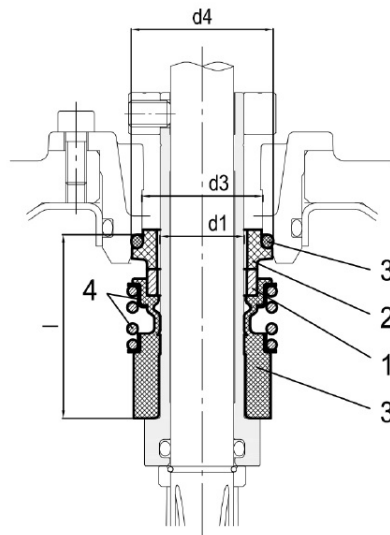


N°	PART NAME	MATERIAL	Quantity
110	Principal pump	-	2
114	Electric motor	-	2
150	Baseplate	Galvanized steel	1
156	Baseplate foot	SBR	4
210	Suction manifold	AISI 304	1
212	Ball valve	Brass / P.T.F.E.	2
221	Threaded female cap	AISI 304	1
310	Discharge manifold	AISI 304	1
311	Manifold bracket	Galvanized steel	2
312	Ball valve	Brass / P.T.F.E.	2
313	Check valve	Brass / NBR	2
321	Threaded female cap	AISI 304	1
410	E-SPD+	-	2
410-22	E-SPD+ adaptor	-	2
420	Protection panel	-	1
460	Protection panel frame	Galvanized steel	1
512	Ball valve	Brass / P.T.F.E.	1
513	Pressure gauge	Copper alloy / plastic	1
530	Pressure transmitter	-	2

# (2/2) Construction

Booster set name  
2GPE EVMSG10 5N5/2,2 ESPM

Customer	Date 09.06.2024	Company
Contact	Item no.	Issued by
Phone	Project	Phone
E-mail	Project ID	E-mail



● : Standard

Pump model	Max operating pressure	Max operating temperature	Shaft seal type		Shaft seal material							Type key		
			Cartridge		1		2		3		4		5	
			Unbalanced	Balanced	Rotating Part	Code	Stationary Part	Code	Elastomers	Code	Compression spring		Collar	Code
up to 16 bar	- 30°C to + 120°C	●		SIC	(Q1)	Carbon	(B)	EPDM	(E)	AISI 316		(G)	Q1BEG	

Max operating pressure	d1	d2	d3	d4	l
	[mm]	[mm]	[mm]	[mm]	[mm]
16 bar	20	-	29	35	37.5