

Technical Data

Booster set name

2GP AGA 1.00 M

Customer	Date	09.06.2024	Company
Contact	Item no.		Issued by
Phone	Project		Phone
E-mail	Project ID		E-mail

Requested data

1	Pump type	Booster Set	Fluid	Water
2	Number of pumps	2	Liquid temperature °C	20
3	Flow m ³ /h		Kin. viscosity cSt	1.005
4	Head m		Vapour pressure kPa	2.34
5	Geodetic head m		PH value	
6	Inlet pressure kPa	0	Density kg/m ³	998.3
7	Available system NPSH	Ask our technical department.	Solids Weight %	0
8	Ambient temperature °C	20	Installation height m	100

Booster Set

9	Booster set name	2GP AGA 1.00 M	Frequency Hz	50	
10	Design	Booster Set			
11	Manufacturer	EBARA	Impeller Dia.	Max. mm	130
12	Speed rpm	2830		Designed mm	130
13	No. of Stage	1		Min. mm	130
14	Connection Suction side	G1 1/2 PN10	Flow	Operating m ³ /h	
15	Connection Discharge side	G1 1/2 PN10		Max- m ³ /h	3.6
16	Max Working Pressure kPa	600		Min- m ³ /h	0.3
17	Shut-off head kPa	489.72	Head	Operating m	
18	Total weight kg	See the table of "Dimensions".		- (Qmax.) m	23.0
19	Shaft power kW			- (Qmin.) m	47.5
20			Max. Shaft Power at max. impeller kW	0.71	
21	Required NPSH m		Efficiency %		

Materials

22	Frame	Galvanized steel	Casing cover	AISI 304
23	Manifold	AISI 304	Shaft	AISI 303
24	Check valve	Brass / NBR	Shaft seal	Ceramic/Carbon/NBR
25	Ball valve	Brass / PTFE	O-ring	NBR
26	Impeller	PPE+PS glass fibre reinforced	Ejector	PPE+PS glass fibre reinforced
27	Casing	Cast iron	Diffuser	PPE+PS glass fibre reinforced

Motor

28	Manufacturer	EPE Standard	Insulation class	F
29	Type	TEFC_AGA 1.00 M_230_Single Phase	Phases	1~
30	Specific design	- / 50 Hz / Pole pairs 1	Frame size	
31	Rated power kW	0.75	Weight; motor kg	
32	Number of poles	2	Electric voltage V	230
33	Speed rpm	2800	Electric current A	5.5
34	Degree of protection	IP 44		
35				

Remarks

Performance curve

Booster set name
2GP AGA 1.00 M

Customer	Date 09.06.2024	Company
Contact	Item no.	Issued by
Phone	Project	Phone
E-mail	Project ID	E-mail

Requested data

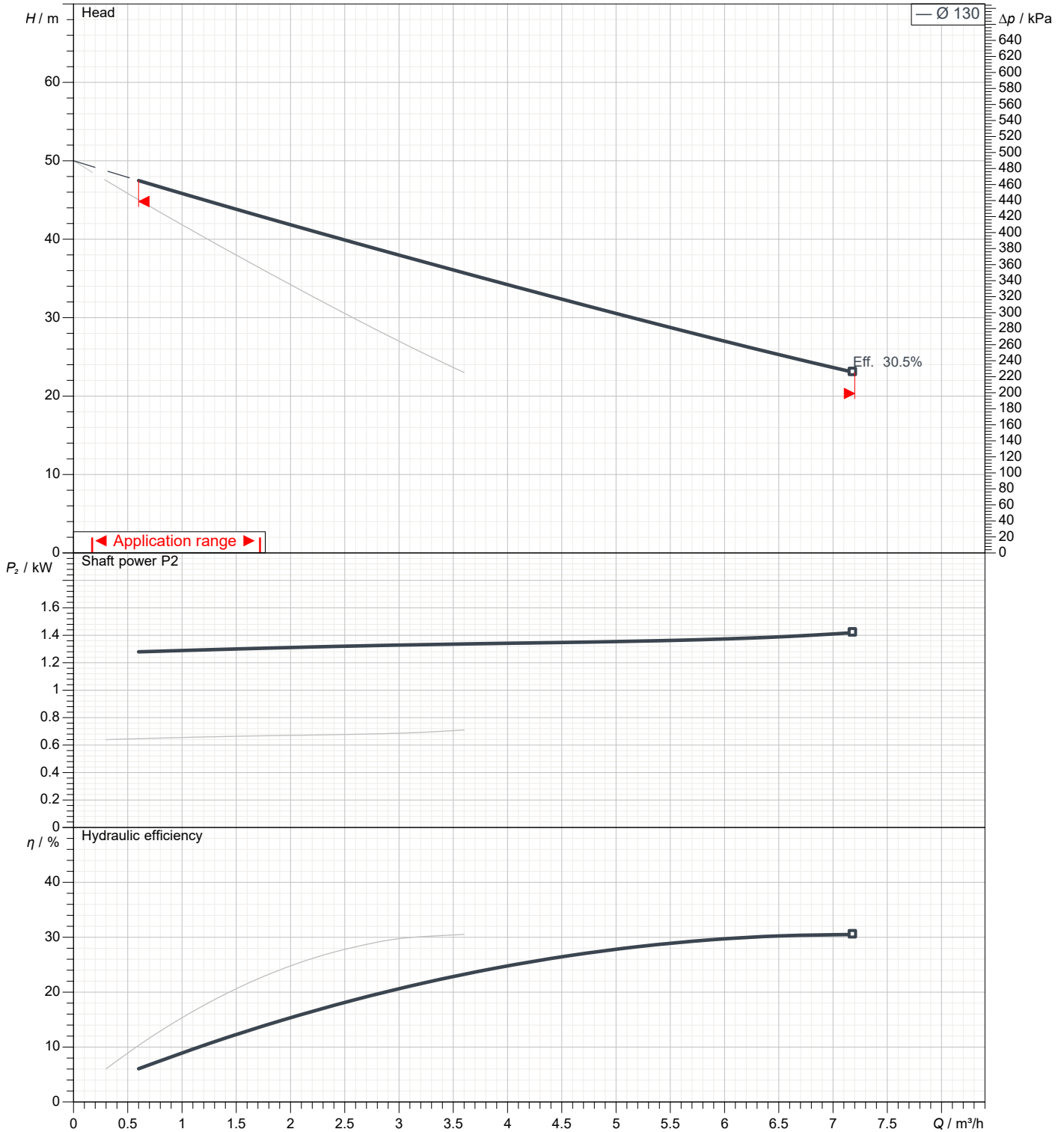
1	Flow	m³/h	
2	Head	m	
3	Geodetic head	m	

Booster set

Operating flow	m³/h	Frequency	Hz	50
Operating head	m	Number of poles		2
ImpellerDiameter Designed	mm	Speed	rpm	2830

Test standard: ISO 9906:2012 - Grade3B

Water; 20°C; 998.3kg/m³; 1cSt

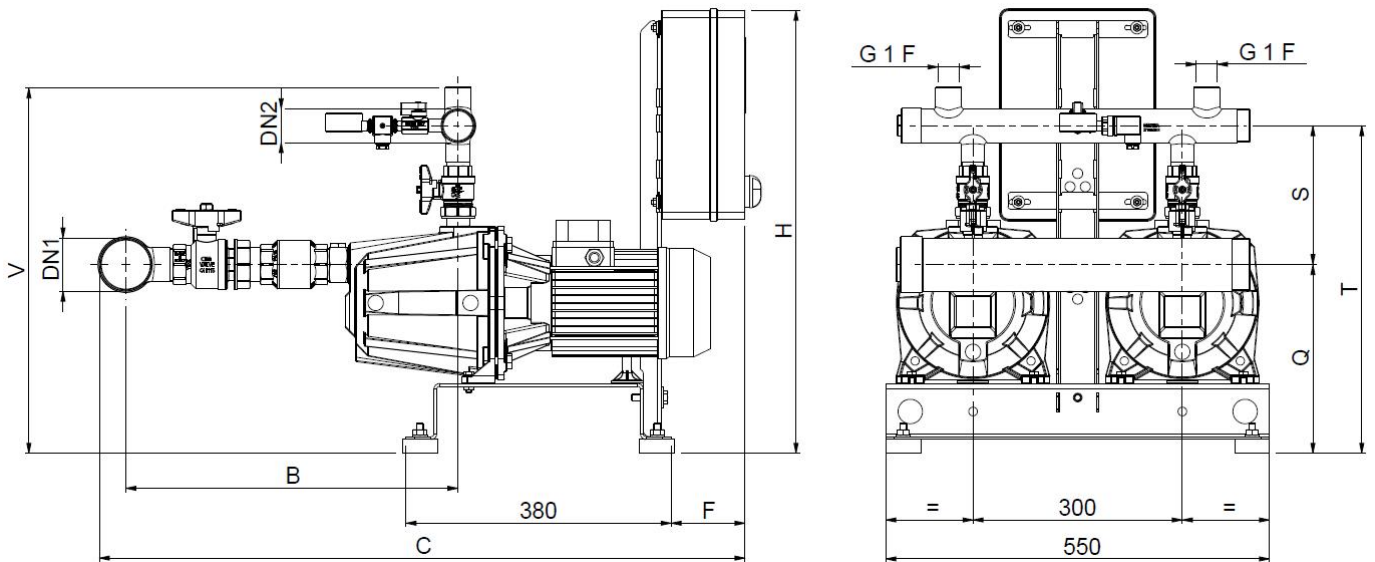


Dimensions

Booster set name

2GP AGA 1.00 M

Customer	Date 09.06.2024	Company
Contact	Item no.	Issued by
Phone	Project	Phone
E-mail	Project ID	E-mail

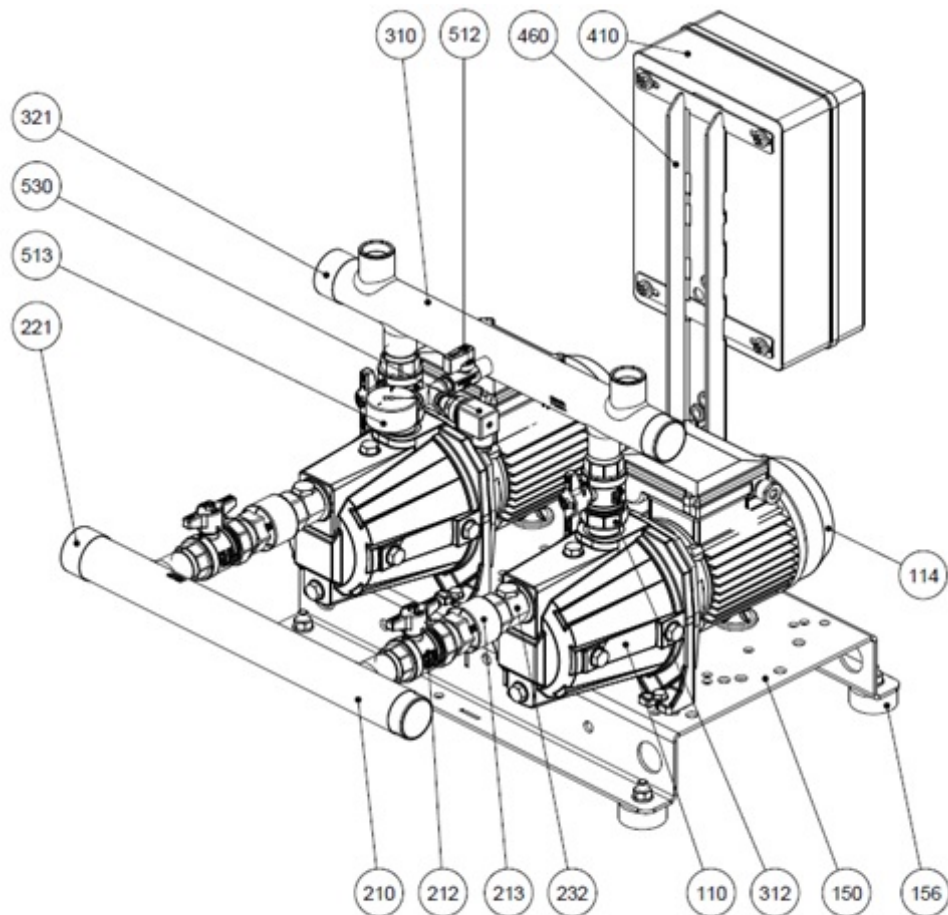


Dimensions in		mm						
1	B	375						
2	C	790						
3	DN1	G1 1/2						
4	DN2	G1 1/2						
5	F	75						
6	H	630						
7	Q	250						
8	S	180						
9	T	430						
10	V	485						
11	Weight kg	58						
12								
13								
14								
15								

(1/2) Construction

Booster set name
2GP AGA 1.00 M

Customer	Date 09.06.2024	Company
Contact	Item no.	Issued by
Phone	Project	Phone
E-mail	Project ID	E-mail



N°	PART NAME	MATERIAL	Quantity
110	Principal pump	-	2
114	Electric motor	-	2
150	Baseplate	Galvanized steel	1
156	Baseplate foot	SBR	4
210	Suction manifold	AISI 304	1
212	Union ball valve	Brass / P.T.F.E.	2
213	Check valve	Brass / NBR	2
221	Threaded female cap	AISI 304	1
232	Nipple for air feeders	Yellow brass	2
310	Discharge manifold	AISI 304	1
312	Union ball valve	Brass / P.T.F.E.	2
321	Threaded female cap	AISI 304	1
410	Control panel	-	1
460	Control panel frame	Galvanized steel	1
512	Ball valve	Brass / P.T.F.E.	1
513	Pressure gauge	Copper alloy / plastic	1
530	Pressure transmitter	-	1

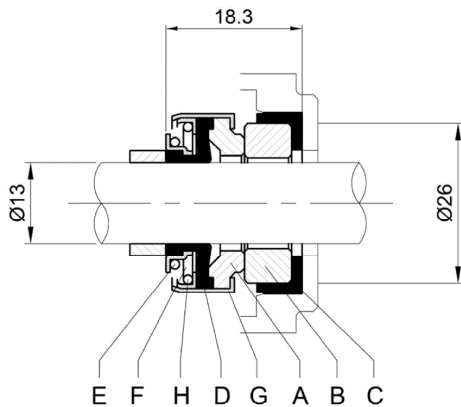
(2/2) Construction

Booster set name
2GP AGA 1.00 M

Customer	Date 09.06.2024	Company
Contact	Item no.	Issued by
Phone	Project	Phone
E-mail	Project ID	E-mail

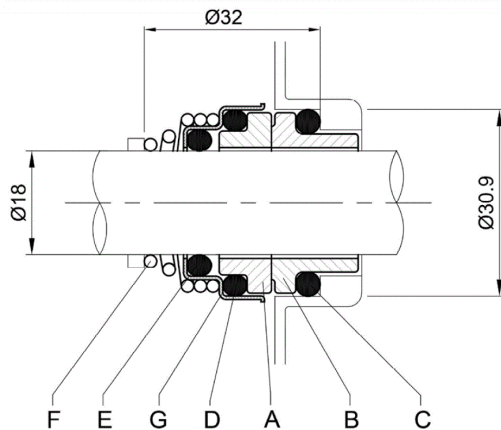
MECHANICAL SEAL

UP TO 0.75 kW



REF	PART NAME	MATERIAL
A	Rotary seal ring	Carbon graphite
B	Stationary seal ring	Ceramic
C	Gasket	NBR
D	Bellows	NBR
E	O-Ring	AISI 304
F	Self-driving spring	AISI 304
G	Frame	AISI 304
H	Retainer ring	AISI 304

1.1 kW AND ABOVE



REF	PART NAME	MATERIAL
A	Rotary seal ring	Ceramic
B	Stationary seal ring	Carbon graphite
C	O-Ring	NBR
D	O-Ring	NBR
E	O-Ring	NBR
F	Self-driving spring	AISI 316
G	Frame	AISI 304

BEARINGS

Type pumps		Ball Bearing	
Single Phase	Three Phase	Pump side	Fan side
AGA 0.60 M	AGA 0.60 T	6202 2RSH	6202 2RSH
AGA 0.75 M	AGA 0.75 T	6202 2RSH	6202 2RSH
AGA 1.00 M	AGA 1.00 T	6202-ZZ C3	6202-ZZ C3
AGA 1.50 M	AGA 1.50 T	6204-ZZ C3	6203-ZZ C3
AGA 2.00 M	AGA 2.00 T	6204-ZZ C3	6203-ZZ C3
-	AGA 3.00 T	6204-ZZ C3	6203-ZZ C3
AGC 1.50 M	AGC 1.50 T	6204-ZZ C3	6203-ZZ C3
AGC 2.00 M	AGC 2.00 T	6204-ZZ C3	6203-ZZ C3
-	AGC 3.00 T	6204-ZZ C3	6203-ZZ C3