

Technical Data

Booster set name
2GP CVM A/8M

Customer	Date	09.06.2024	Company
Contact	Item no.		Issued by
Phone	Project		Phone
E-mail	Project ID		E-mail

Requested data

1	Pump type	Booster Set	Fluid	Water
2	Number of pumps	2	Liquid temperature °C	20
3	Flow m³/h		Kin. viscosity cSt	1.005
4	Head m		Vapour pressure kPa	2.34
5	Geodetic head m		PH value	
6	Inlet pressure kPa	0	Density kg/m³	998.3
7	Available system NPSH	Ask our technical department.	Solids Weight %	0
8	Ambient temperature °C	20	Installation height m	100

Booster Set

9	Booster set name	2GP CVM A/8M	Frequency Hz	50	
10	Design	Booster Set			
11	Manufacturer	EBARA	Impeller Dia.	Max. mm	102
12	Speed rpm	2800		Designed mm	102
13	No. of Stage	4		Min. mm	102
14	Connection Suction side	G2 PN10	Flow	Operating m³/h	
15	Connection Discharge side	G2 PN10		Max- m³/h	4.8
16	Max Working Pressure kPa	1000		Min- m³/h	1.2
17	Shut-off head kPa	466.20	Head	Operating m	
18	Total weight kg	See the table of "Dimensions".		- (Qmax.) m	12.8
19	Shaft power kW			- (Qmin.) m	42.5
20			Max. Shaft Power at max. impeller kW	0.59	
21	Required NPSH m		Efficiency %		

Materials

22	Frame	Galvanized steel	External pump casing	AISI 304
23	Manifold	AISI 304	Shaft	AISI 416
24	Check valve	Brass / NBR	Shaft seal	Ceramic/Carbon/NBR
25	Ball valve	Brass / PTFE	O-ring	NBR
26	Impeller	PPE+PS Glass Fiber Reinforced	Stages	PPE+PS Glass Fiber Reinforced/PTFE
27	Casing	Cast iron	Diffuser	PPE+PS Glass Fiber Reinforced

Motor

28	Manufacturer	EPE Standard	Insulation class	F
29	Type	TEFC_CVM AM/8_230_Single Phase	Phases	1~
30	Specific design	- / 50 Hz / Pole pairs 1	Frame size	63
31	Rated power kW	0.6	Weight; motor kg	
32	Number of poles	2	Electric voltage V	230
33	Speed rpm	2850	Electric current A	4
34	Degree of protection	IP 44		
35				

Remarks

Performance curve

Booster set name
2GP CVM A/8M

Customer	Date	09.06.2024	Company
Contact	Item no.		Issued by
Phone	Project		Phone
E-mail	Project ID		E-mail

Requested data

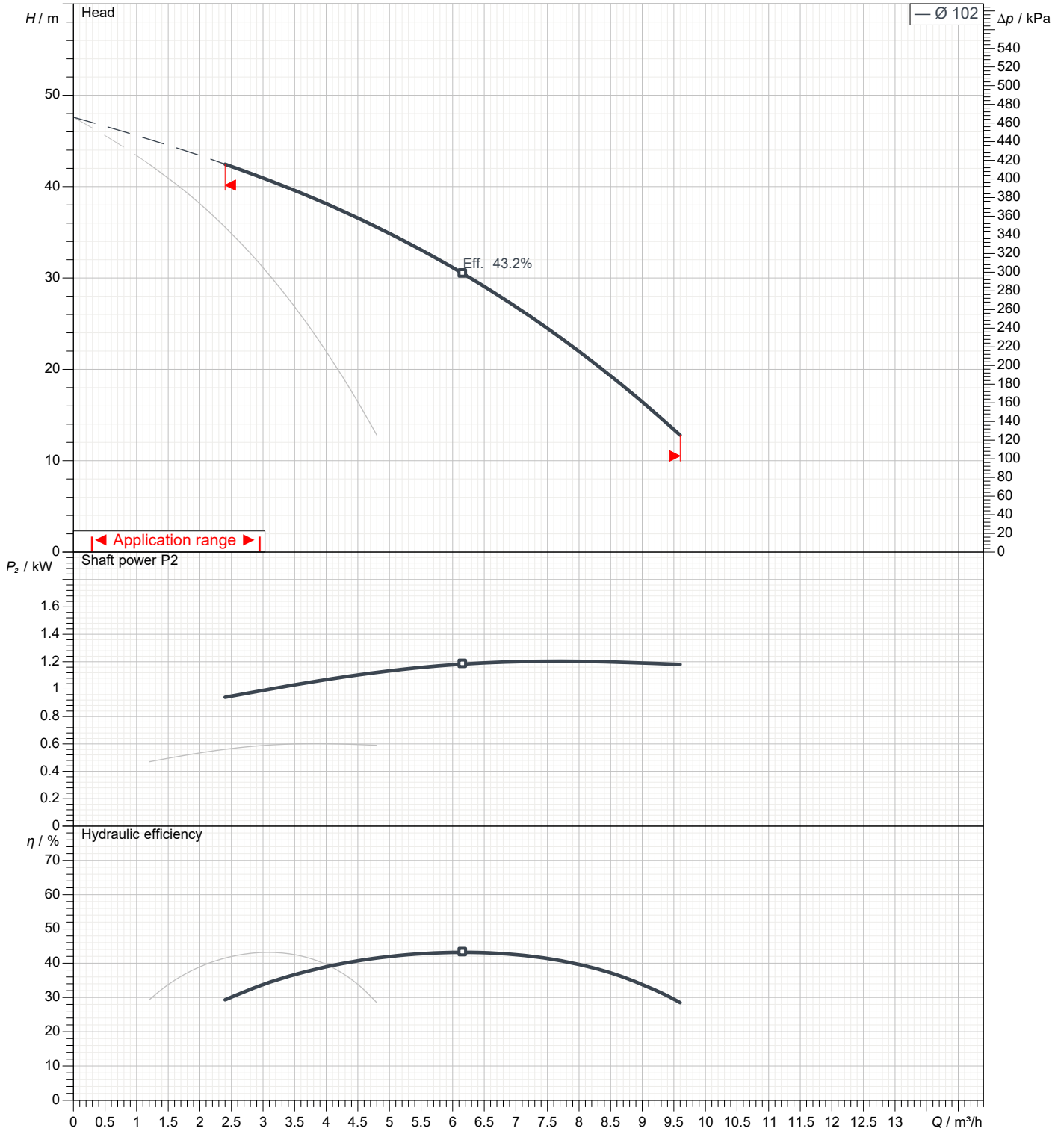
1	Flow	m³/h	
2	Head	m	
3	Geodetic head	m	

Booster set

Operating flow	m³/h		Frequency	Hz	50
Operating head	m		Number of poles		2
ImpellerDiameter Designed	mm	102	Speed	rpm	2800

Test standard: ISO 9906:2012 - Grade3B

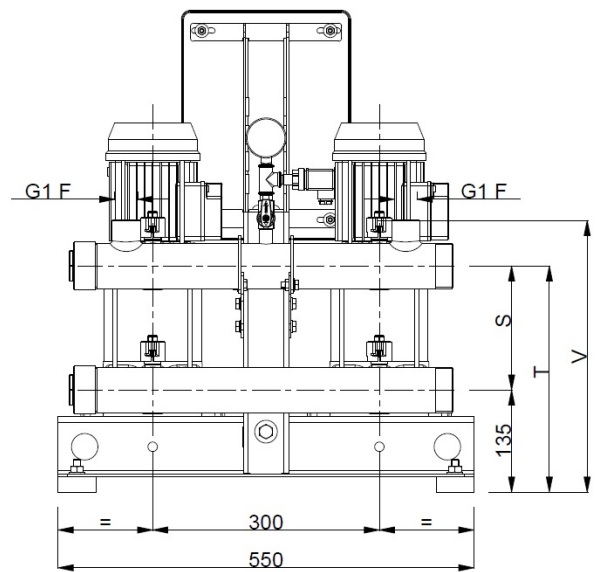
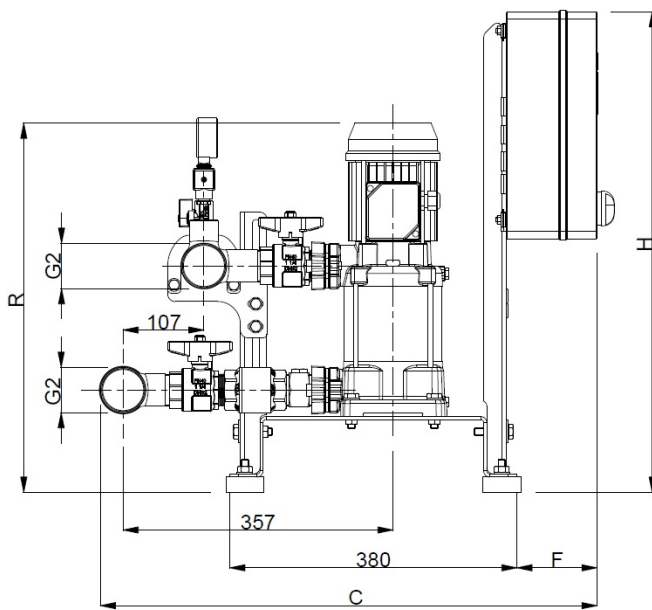
Water; 20°C; 998.3kg/m³; 1cSt



Dimensions

Booster set name
2GP CVM A/8M

Customer	Date 09.06.2024	Company
Contact	Item no.	Issued by
Phone	Project	Phone
E-mail	Project ID	E-mail

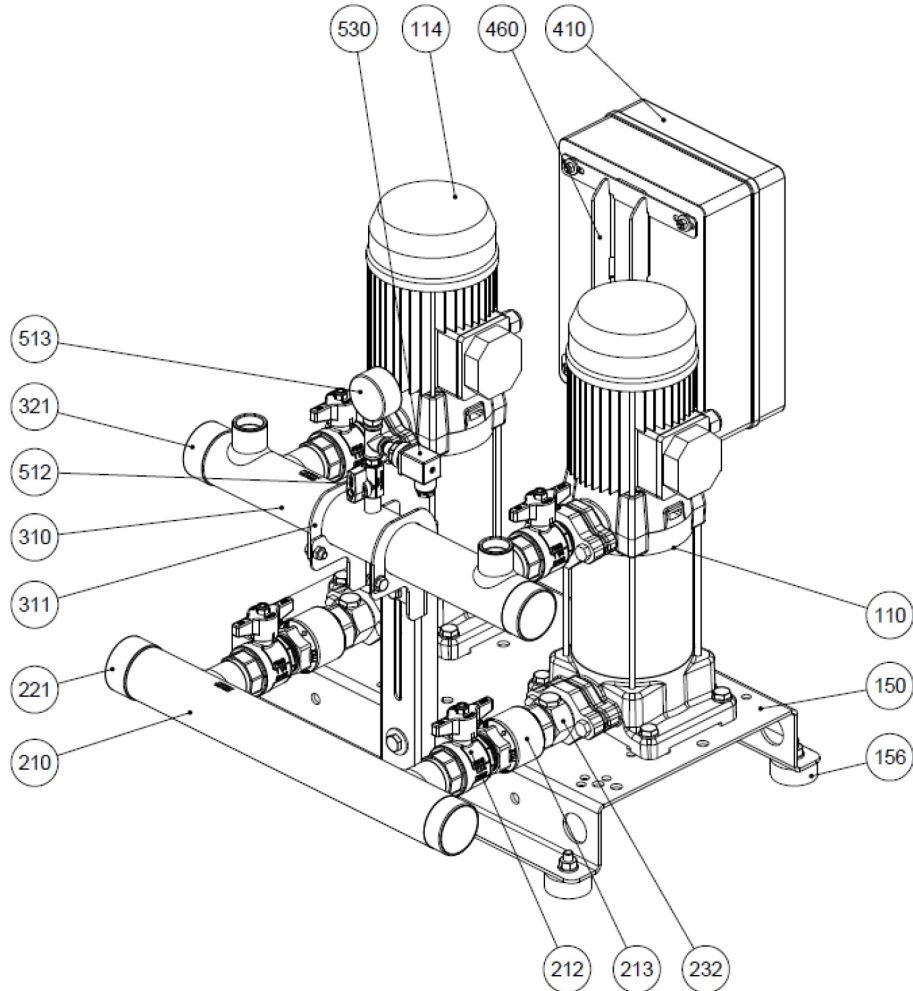


Dimensions in		mm						
1	C	645						
2	F	75						
3	H	630						
4	R	490						
5	S	165						
6	T	300						
7	V	360						
8	Weight kg	62						
9								
10								
11								
12								
13								
14								
15								

(1/2) Construction

Booster set name
2GP CVM A/8M

Customer	Date 09.06.2024	Company
Contact	Item no.	Issued by
Phone	Project	Phone
E-mail	Project ID	E-mail



N°	PART NAME	MATERIAL	Quantity
110	Principal pump	-	2
114	Electric motor	-	2
150	Baseplate	Galvanized steel	1
156	Baseplate foot	SBR	4
210	Suction manifold	AISI 304	1
212	Ball valve	Brass / P.T.F.E.	2
213	Check valve	Brass / NBR	2
221	Threaded female cap	AISI 304	1
232	Nipple for air feeders	Yellow brass	2
310	Discharge manifold	AISI 304	1
311	Manifold bracket	Galvanized steel	2
312	Ball valve	Brass / P.T.F.E.	2
321	Threaded female cap	AISI 304	1
410	Control panel	-	1
460	Control panel frame	Galvanized steel	1
512	Ball valve	Brass / P.T.F.E.	1
513	Pressure gauge	Copper alloy / plastic	1
520	Pressure transmitter	-	1

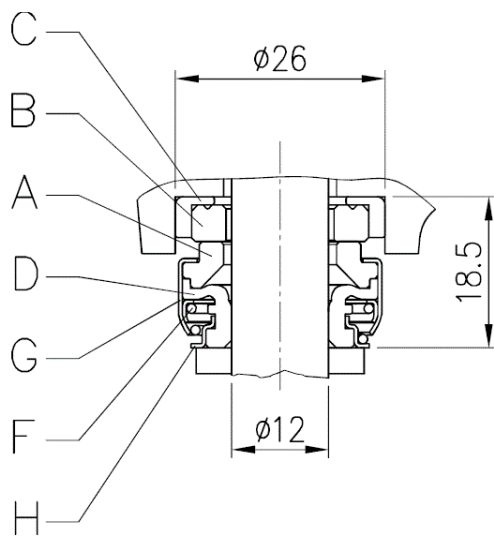
(2/2) Construction

Booster set name
2GP CVM A/8M

Customer	Date 09.06.2024	Company
Contact	Item no.	Issued by
Phone	Project	Phone
E-mail	Project ID	E-mail

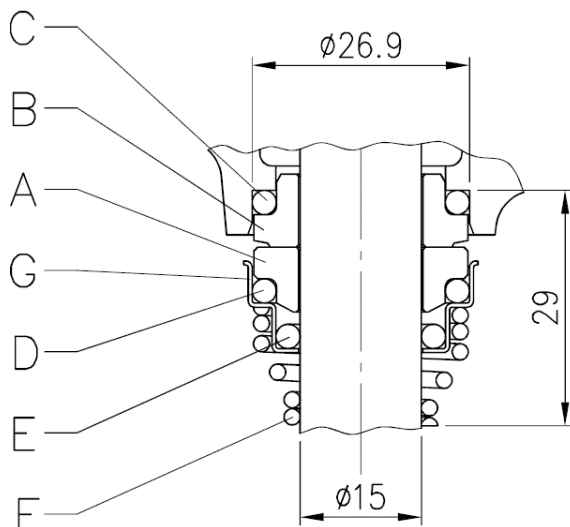
MECHANICAL SEAL

UP TO 0.6 KW



REF	PART NAME	MATERIAL
A	Rotary seal ring	Carbon graphite
B	Stationary seal ring	Ceramic
C	Gasket	NBR
D	Bellows	NBR
F	Self driving spring	AISI 304
G	Frame	AISI 304
H	Retainer ring	AISI 304

0,75 KW AND ABOVE



REF	PART NAME	MATERIAL
A	Rotary seal ring	Ceramic
B	Stationary seal ring	Carbon graphite
C	O Ring	NBR
D	O Ring	NBR
E	O Ring	NBR
F	Self driving spring	AISI 316
G	Frame	AISI 304