

# Technical Data

Pump Name

3DP 32-200/4.0

Customer	Date	09.06.2024	Company
Contact	Item no.		Issued by
Phone	Project		Phone
E-mail	Project ID		E-mail

## Requested data

1	Pump type	CENTRIFUGAL PUMPS	Fluid	Water
2	Number of pumps / Reserve	1 / 0	Liquid temperature	°C 20
3	Flow m³/h		Kin. viscosity	cSt 1.005
4	Head m		Vapour pressure	kPa 2.34
5	Geodetic head m		PH value	
6	Inlet pressure (pin) kPa	0	Density	kg/m³ 998.3
7	Available system NPSH		Solids	Weight % 0
8	Ambient temperature °C	20		

## Pump

9	Pump Name	3DP 32-200/4.0	Frequency	Hz 50
10	Design	CENTRIFUGAL PUMPS	Installation type	STANDARD
11	Manufacturer	EBARA	Impeller Diameter	Max. mm 200
12	Speed rpm	2900		Designed mm 200
13	No. of Stage	1		Min. mm 200
14	Connection Suction side	EN 1092-2	Flow	Operating m³/h
15	Connection Discharge side	EN 1092-2		Max- m³/h 21.6
16	Max Working Pressure kPa	1000		Min- m³/h 6
17	Shut-off head kPa	519.01	Head	Operating m
18	Total weight kg	See the table of "Dimensions".		- (Qmax.) m 39.1
19	Shaft power kW			- (Qmin.) m 52.5
20			Max. Shaft Power at max. impeller	kW 4.15
21	Required pump NPSH m		Efficiency	%

## Materials

22	Impeller	AISI 304	
23	Casing	Cast iron	
24	Shaft	AISI 304 (wet extension)	
25			
26			
27			

## Motor

28	Manufacturer	LAFERT	Insulation class	F
29	Type	TEFC_3DP 32-200/4.0_230_Three Phase	Phases	3~
30	Specific design	IE3 / 50 Hz / Pole pairs 1	Frame size	112 M
31	Rated power kW	4	Weight kg	27.4
32	Number of poles	2	Electric voltage V	230
33	Speed rpm	2900	Electric current A	12.1
34	Degree of protection	IP 55		
35				

## Remarks

# Performance Curve

Pump Name

3DP 32-200/4.0

Customer	Date	09.06.2024	Company
Contact	Item no.		Issued by
Phone	Project		Phone
E-mail	Project ID		E-mail

## Requested data

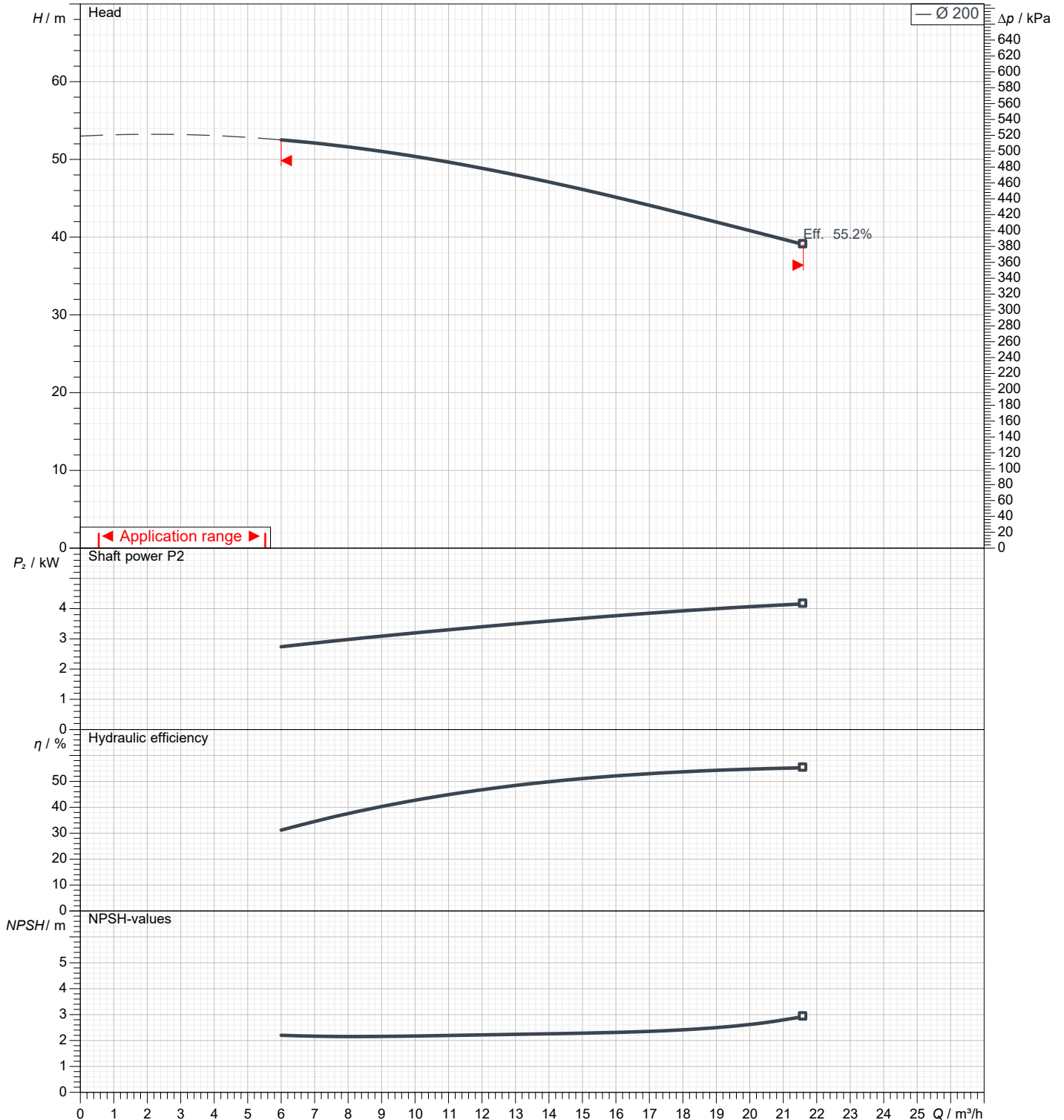
1	Flow	m³/h	
2	Head	m	
3	Geodetic head	m	

## Pump

Operating flow	m³/h		Frequency	Hz	50
Operating head	m		Number of poles		2
Impeller diameter designed	mm	200	Speed	rpm	2900

Test standard: ISO 9906:2012 - Grade3B

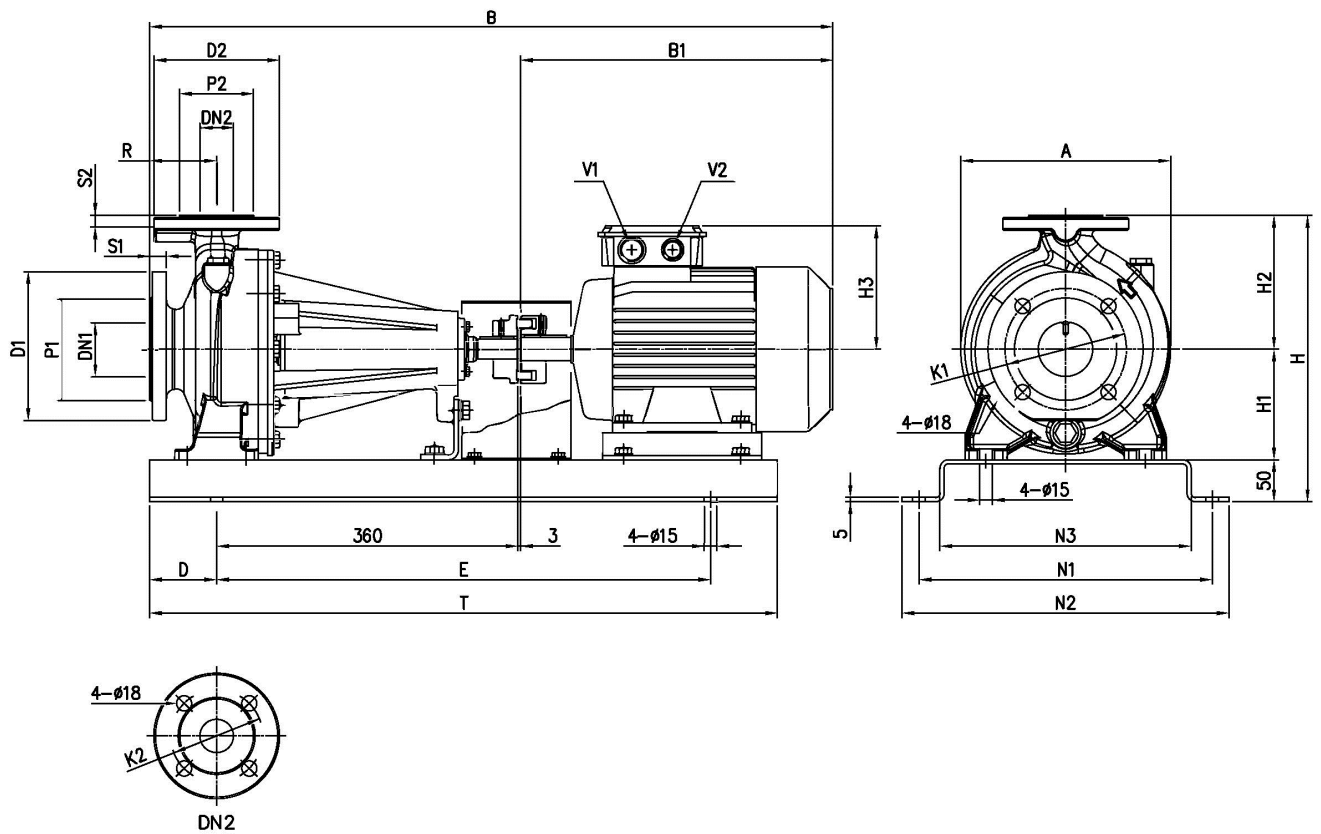
Water; 20°C; 998.3kg/m³; 1cSt



# Dimensions

Pump Name 3DP 32-200/4.0

Customer	Date 09.06.2024	Company
Contact	Item no.	Issued by
Phone	Project	Phone
E-mail	Project ID	E-mail



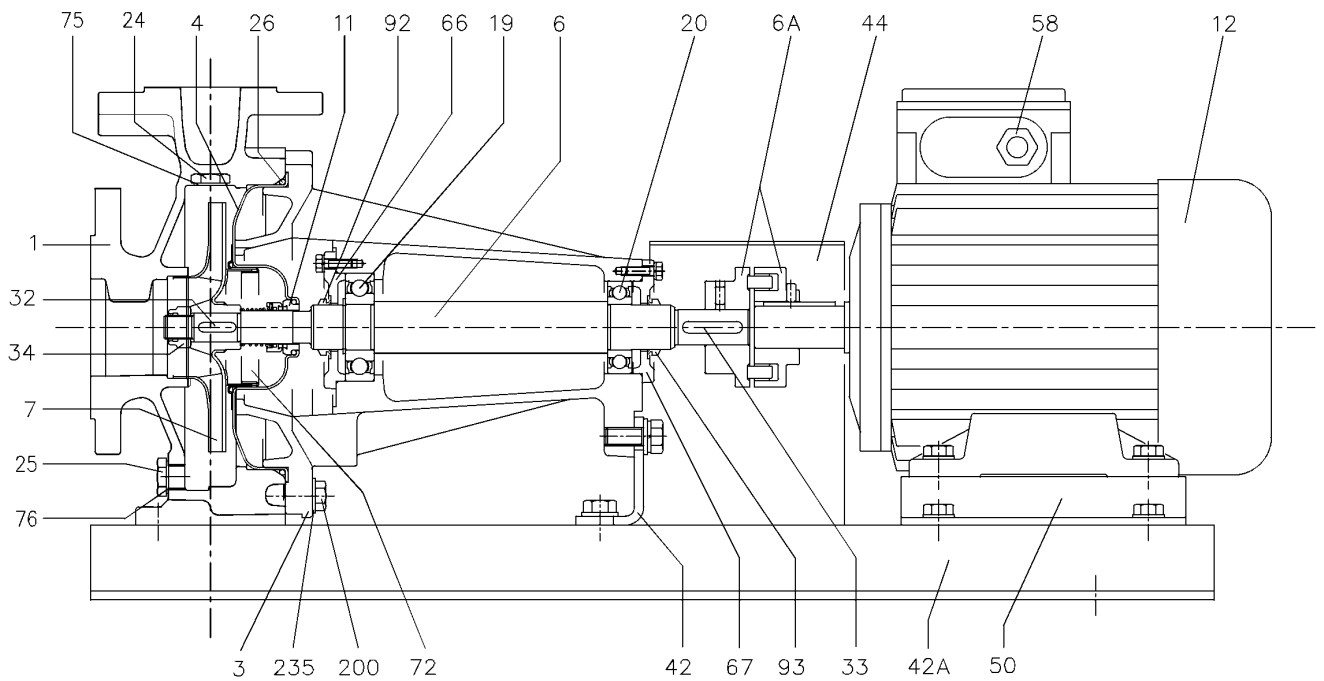
Dimensions in		mm						
1	A	296	H2	180				
2	B	831	H3	171				
3	B1	388	N1	350				
4	D	80	N2	390				
5	Dia D1	165	N3	300				
6	Dia D2	140	R	80				
7	Dia DN1	50	S1	20				
8	Dia DN2	32	S2	18				
9	Dia K1	125	T	750				
10	Dia K2	100	V1	M25x1,5				
11	Dia P1	102	V2	M20x1,5				
12	Dia P2	78	Weight P&M	86.9 kg				
13	E	590						
14	H	390						
15	H1	160						

(1/3)

# Construction

Pump Name 3DP 32-200/4.0

Customer	Date 09.06.2024	Company
Contact	Item no.	Issued by
Phone	Project	Phone
E-mail	Project ID	E-mail



**(2/3)****Construction****Pump Name 3DP 32-200/4.0**

Customer	Date 09.06.2024	Company
Contact	Item no.	Issued by
Phone	Project	Phone
E-mail	Project ID	E-mail

N°	PART NAME	MATERIAL	DIMENSIONS	STANDARD	Q.TY
1	Casing	Cast iron EN-GJL-200-EN 1561			1
3	Support	Cast iron EN-GJL-200-EN 1561			1
4	Casing cover	EN 1.4301 (AISI 304)			1
6	Shaft - Wet extension	EN 1.4301 (AISI 304)			1
6A	Flexible coupling	Cast iron EN-GJL-250-EN 1561			1
7	Impeller [1]	-			1
11	Mechanical seal [2]	-			1
12	Motor	-			1
19	Bearing	-			1
20	Bearing	-			1
24	Priming plug	Brass	G 3/8" L=8	DIN 906	1
25	Draing plug	Brass	G 3/8" L=8	DIN 906	1
26	O-ring 32-125, 40-125 32-160, 40-160, 50-125, 65-125 32-200, 40-200, 50-160, 50-200, 65-160, 65-200 [3]	NBR/FPM/EPDM	158.11x5.34	OR 6625	1
			183.52x5.34	OR 6720	
			227.96x5.34	OR 6895	
32	Key Up to 11 kW 50-200/15 15 kW and above	EN 1.4401 (AISI 316)	6x6x25	UNI 6604	1
			8x7x30		
33	Key	C 40	8x7x40	UNI 6604	1
34	Impeller nut Up to 11kW 50-200/15 15 kW and above	EN 1.4301 (AISI 304)	M16x1.5	UNI 7474	1
			M18x1.5		
			M20x1.5		
42	Pump support	Fe 37 Galvanized		EBARA DRAWING	1
42A	Base	Fe 37 Galvanized			1
44	Protection	Fe 37 Galvanized			1
50	Foot	Aluminium / Galvanized steel			1
58	Cable gland	-			1
66	Impeller side bearing cover	Cast iron EN-GJL-200-EN 1561			1
67	Motor side bearing cover	Cast iron EN-GJL-200-EN 1561			1
72	Casing ring [4]	EN 1.4301 (AISI 304)			1
75	Washer	Aluminum	22x17x1.5	EBARA DRAWING	1
76	Washer	Aluminum	22x17x1.5	EBARA DRAWING	1
92	"V" ring	-	VS - 0030		1
93	"V" ring	-	VS - 0030		1
200	Screw 32-125, 40-125 32-160, 40-160, 50-125, 65-125 32-200, 40-200, 50-160 50-200, 65-160, 65-200	Gv. Steel 8.8 strenght class ISO 898-1	M 8x30	UNI 5739	8
					10
			M 10x35		12
235	Washer 32-125, 40-125 32-160, 40-160, 50-125, 65-125 32-200, 40-200, 50-160 50-200, 65-160, 65-200	Galvanized Steel	8.4x17	UNI 6592	8
					10
			10.5x21		12

[1] EN 1.4301 (AISI 304) for 32, 40, 50 series;  
EN 1.4401 (AISI 316) for 65 series

[2] See **CONSTRUCTION 3**

[3] See **CONSTRUCTION 3**, "O-ring" column

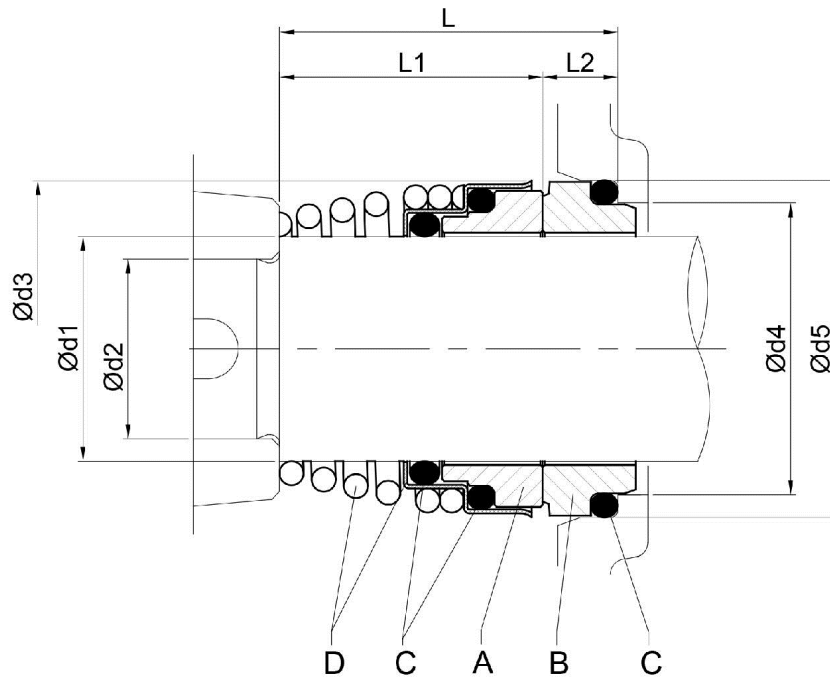
[4] Only for: 32-200, 40-200, 50-160, 50-200

(3/3)

# Construction

Pump Name 3DP 32-200/4.0

Customer	Date 09.06.2024	Company
Contact	Item no.	Issued by
Phone	Project	Phone
E-mail	Project ID	E-mail



Pump type	Dimensions [ mm ]								Material Standard			
	d1	d2	d3	d4	d5	L	L1	L2	A Rotary seal ring	B Stationary seal ring	C O-ring	D Frame + Spring
32-125/160/200												
40-125/160/200												
50-125/160/200	22	19	38	31	37	37.5	27.5	10	Ceramic	Carbon	NBR	EN 1.4301 (AISI 304)
65-125												
65-160/7.5-9.2-11												