

Technical Data

Pump Name

3E-K4 50-200/1.1Q4Q1EGG TT

| | | | |
|----------|------------|------------|-----------|
| Customer | Date | 09.06.2024 | Company |
| Contact | Item no. | | Issued by |
| Phone | Project | | Phone |
| E-mail | Project ID | | E-mail |

Requested data

| | | | | |
|---|---------------------------|--------------------------|--------------------|-------------|
| 1 | Pump type | IN-LINE CENTRIFUGAL PUMP | Fluid | Water |
| 2 | Number of pumps / Reserve | 1 / 0 | Liquid temperature | °C 20 |
| 3 | Flow m³/h | | Kin. viscosity | cSt 1.005 |
| 4 | Head m | | Vapour pressure | kPa 2.34 |
| 5 | Geodetic head m | | PH value | |
| 6 | Inlet pressure (pin) kPa | 0 | Density | kg/m³ 998.3 |
| 7 | Available system NPSH | | Solids | Weight % 0 |
| 8 | Ambient temperature °C | 20 | | |

Pump

| | | | | |
|----|---------------------------|--------------------------------|-----------------------------------|------------------|
| 9 | Pump Name | 3E-K4 50-200/1.1Q4Q1EGG TT | Frequency | Hz 50 |
| 10 | Design | IN-LINE CENTRIFUGAL PUMP | Installation type | STANDARD |
| 11 | Manufacturer | EBARA | Impeller Diameter | Max. mm 200 |
| 12 | Speed rpm | 1450 | | Designed mm 200 |
| 13 | No. of Stage | 1 | | Min. mm 200 |
| 14 | Connection Suction side | | Flow | Operating m³/h |
| 15 | Connection Discharge side | | | Max- m³/h 27 |
| 16 | Max Working Pressure kPa | 1600 | | Min- m³/h 6 |
| 17 | Shut-off head kPa | 127.70 | Head | Operating m |
| 18 | Total weight kg | See the table of "Dimensions". | | - (Qmax.) m 8.6 |
| 19 | Shaft power kW | | | - (Qmin.) m 12.6 |
| 20 | | | Max. Shaft Power at max. impeller | kW 1.01 |
| 21 | Required pump NPSH m | | Efficiency | % |

Materials

| | | | |
|----|--------------|------------------------------|--|
| 22 | Impeller | EN 1.4301 (AISI 304) | |
| 23 | Casing cover | EN 1.4301 (AISI 304) | |
| 24 | Casing | CAST IRON EN-GJL-250-EN-1561 | |
| 25 | Shaft | EN 1.4301 (AISI 304) | |
| 26 | O-ring | EPDM | |
| 27 | Braket | ALUMINIUM | |

Motor

| | | | | |
|----|----------------------|----------------------------|------------------|-------|
| 28 | Manufacturer | EPE standard | Insulation class | F |
| 29 | Type | TEFC_3E-K_4_1.1_400_1 | Phases | 3~ |
| 30 | Specific design | IE3 / 50 Hz / Pole pairs 2 | Frame size | 90 |
| 31 | Rated power kW | 1.1 | Weight | kg |
| 32 | Number of poles | 4 | Electric voltage | V 400 |
| 33 | Speed rpm | 1450 | Electric current | A 2.7 |
| 34 | Degree of protection | IP 55 | | |
| 35 | | | | |

Remarks

Performance Curve

Pump Name

3E-K4 50-200/1.1Q4Q1EGG TT

| | | | |
|----------|------------|------------|-----------|
| Customer | Date | 09.06.2024 | Company |
| Contact | Item no. | | Issued by |
| Phone | Project | | Phone |
| E-mail | Project ID | | E-mail |

Requested data

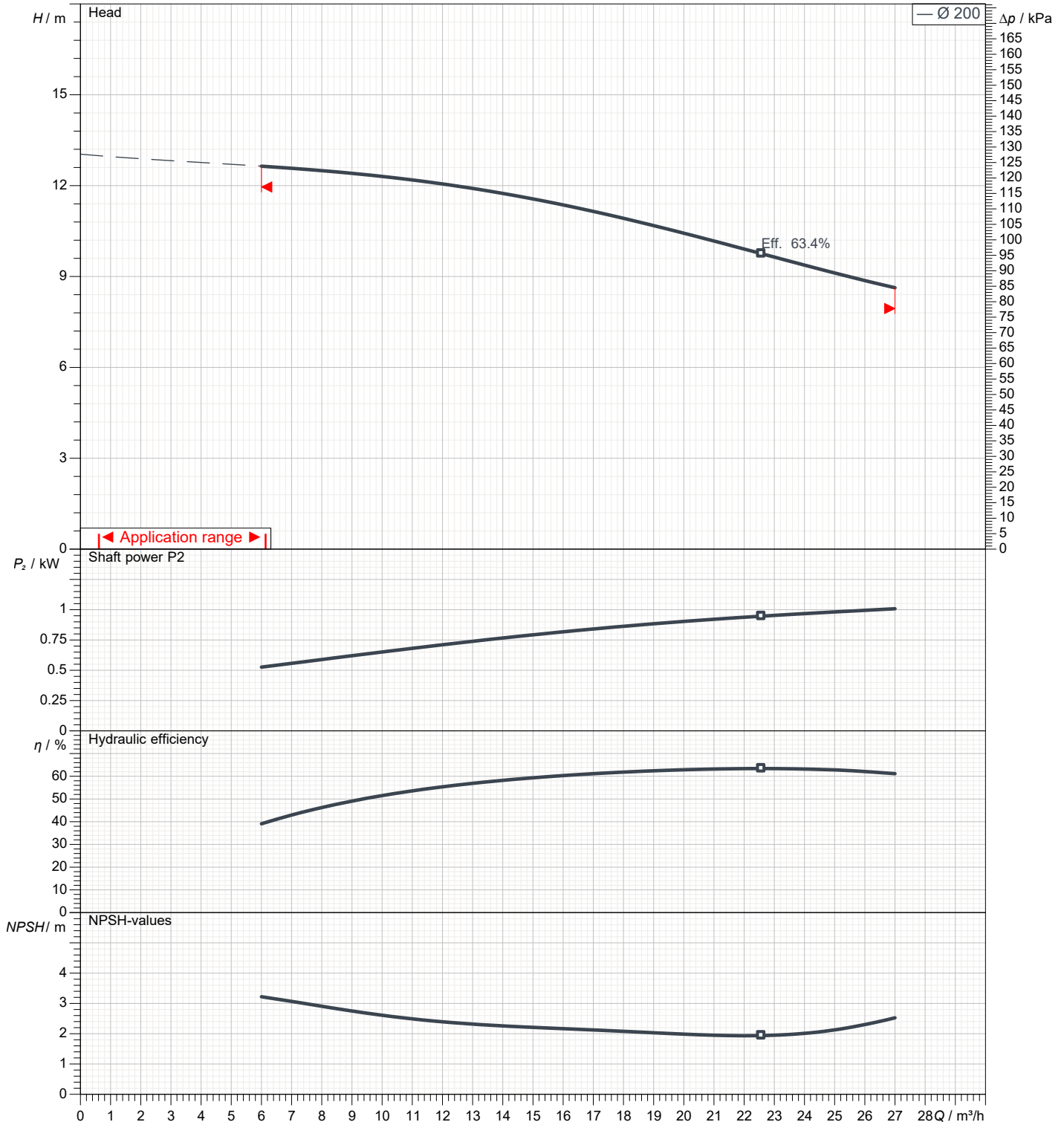
| | | | |
|---|---------------|------|--|
| 1 | Flow | m³/h | |
| 2 | Head | m | |
| 3 | Geodetic head | m | |

Pump

| | | | | | |
|----------------------------|------|-----|-----------------|-----|------|
| Operating flow | m³/h | | Frequency | Hz | 50 |
| Operating head | m | | Number of poles | | 4 |
| Impeller diameter designed | mm | 200 | Speed | rpm | 1450 |

Test standard: ISO 9906:2012 - Grade3B

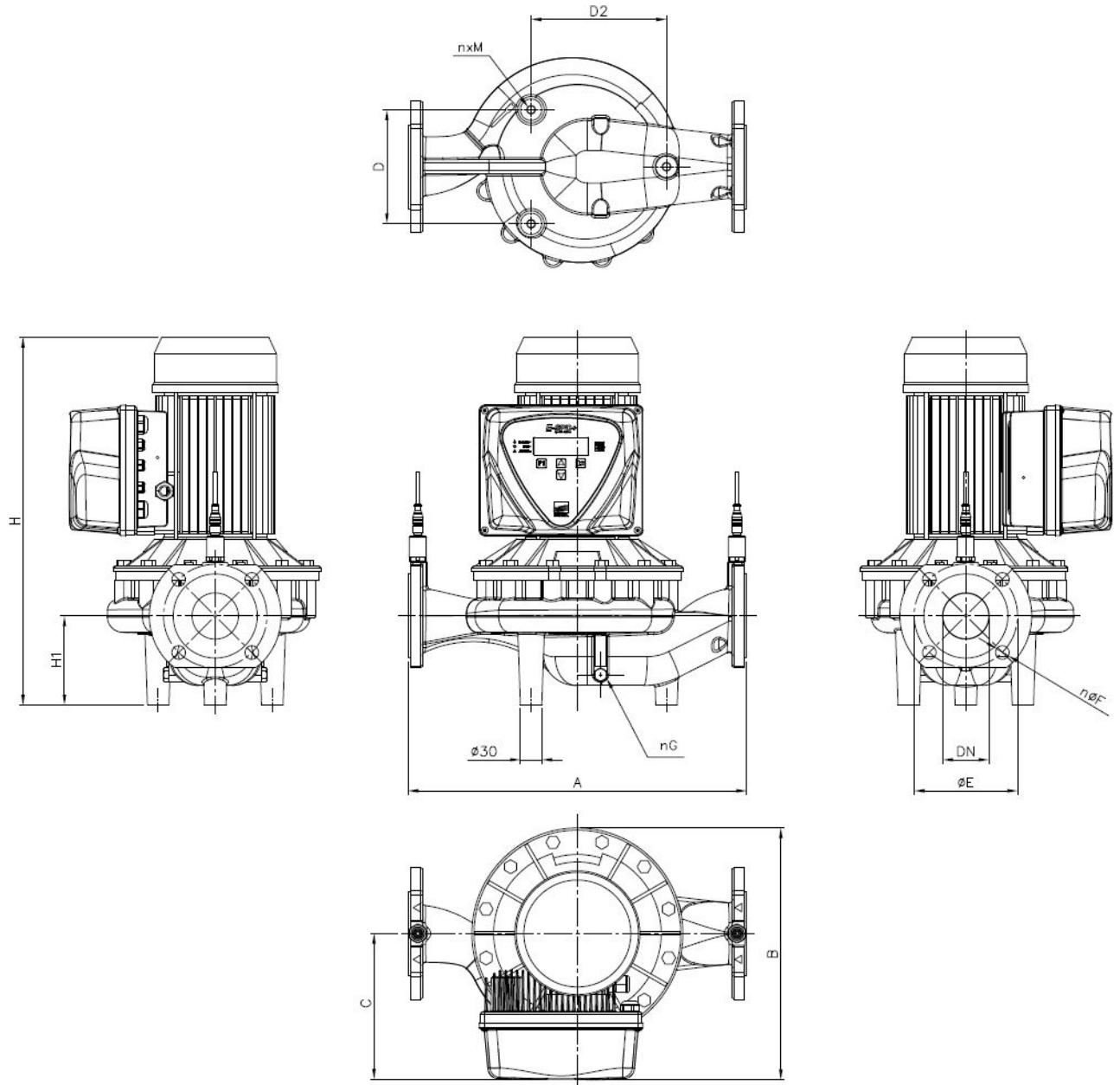
Water; 20°C; 998.3kg/m³; 1cSt



Dimensions

Pump name 3E-K4 50-200/1.1Q4Q1EGG TT

| | | |
|----------|-----------------|-----------|
| Customer | Date 09.06.2024 | Company |
| Contact | Item no. | Issued by |
| Phone | Project | Phone |
| E-mail | Project ID | E-mail |



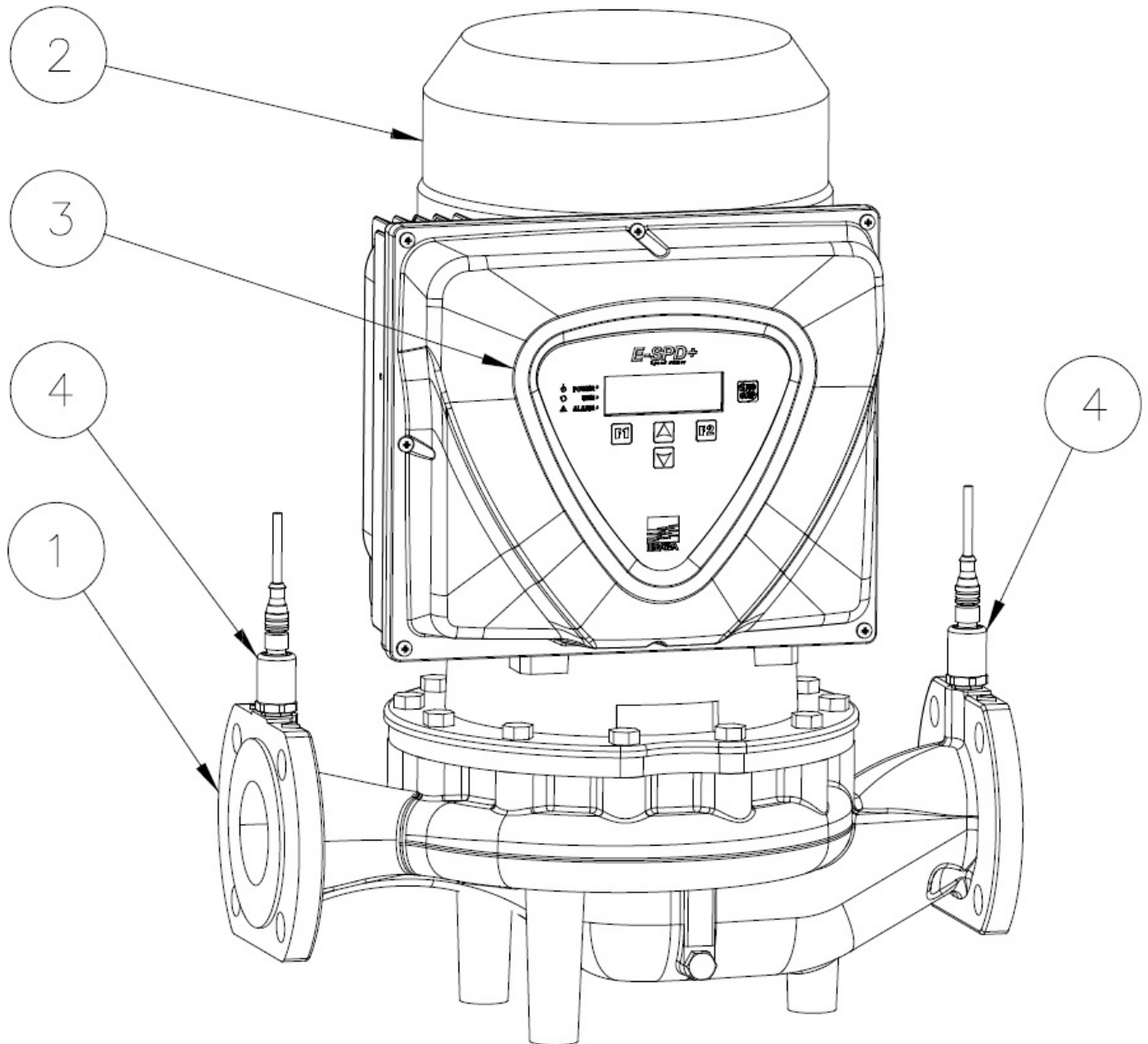
| Dimensions in | | mm | | | | | | |
|---------------|------------|---------|--|--|--|--|--|--|
| 1 | A | 440 | | | | | | |
| 2 | B | 353 | | | | | | |
| 3 | C | 205 | | | | | | |
| 4 | D2 | 157 | | | | | | |
| 5 | H | 467 | | | | | | |
| 6 | H1 | 115 | | | | | | |
| 7 | nG | 4-G1/4" | | | | | | |
| 8 | nØF | 4-Ø19 | | | | | | |
| 9 | n x M | 3 x M12 | | | | | | |
| 10 | ØE | 125 | | | | | | |
| 11 | Weight P&M | 45 kg | | | | | | |
| 12 | | | | | | | | |
| 13 | | | | | | | | |
| 14 | | | | | | | | |
| 15 | | | | | | | | |

(1/2)

Construction

Pump name 3E-K4 50-200/1.1Q4Q1EGG TT

| | | |
|----------|-----------------|-----------|
| Customer | Date 09.06.2024 | Company |
| Contact | Item no. | Issued by |
| Phone | Project | Phone |
| E-mail | Project ID | E-mail |



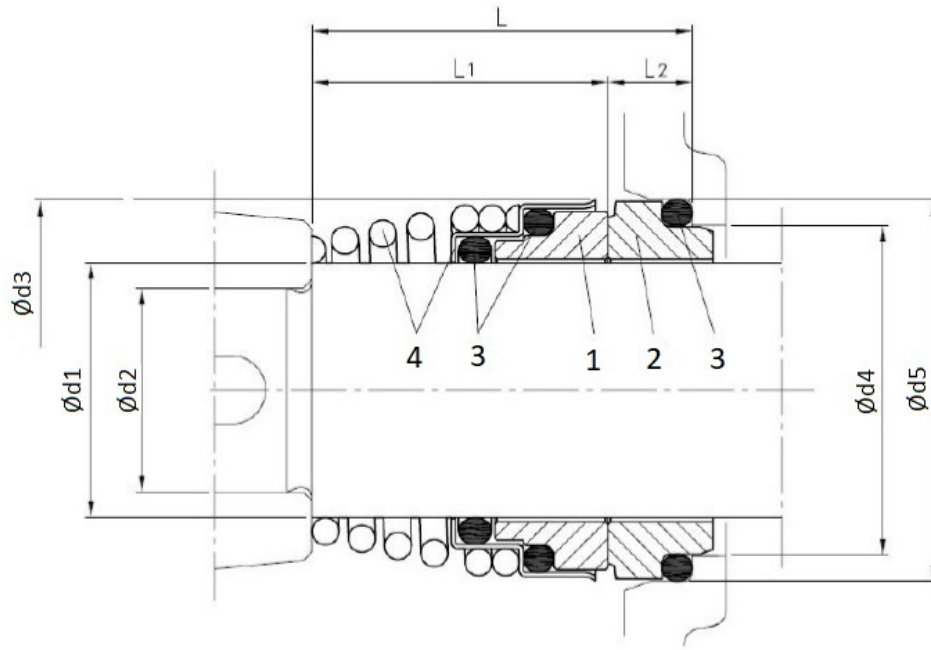
| N° | PART NAME | Quantity |
|----|---------------------|----------|
| 1 | Pump | 1 |
| 2 | Electric motor | 1 |
| 3 | E-SPD+ | 1 |
| 4 | Pressure transducer | 2 |

(2/2)

Construction

Pump name 3E-K4 50-200/1.1Q4Q1EGG TT

| | | |
|----------|-----------------|-----------|
| Customer | Date 09.06.2024 | Company |
| Contact | Item no. | Issued by |
| Phone | Project | Phone |
| E-mail | Project ID | E-mail |



| Version | Dimensions [mm] | | | | | | | | Material | | | |
|-----------------------|-------------------|----|----|----|----|------|------|----|--------------------------------|------------------------------|-------------|-------------------------|
| | d1 | d2 | d3 | d4 | d5 | L | L1 | L2 | 1 Rotary seal ring | 2 Stationary seal ring | 3 Rubber | 4 Frame + Spring |
| Option 1 (Q4Q1EGG) | 22 | 19 | 36 | 31 | 37 | 37.5 | 27.5 | 10 | Silicon Carbide graphite | Silicon Carbide | EPDM | EN 1.4401 (AISI 316) |