

Technical Data

Pump Name

3ES 80-200/18.5

Customer	Date	09.06.2024	Company
Contact	Item no.		Issued by
Phone	Project		Phone
E-mail	Project ID		E-mail

Requested data

1	Pump type	Inline vertical	Fluid	Water
2	Number of pumps / Reserve	1 / 0	Liquid temperature	°C 20
3	Flow m³/h		Kin. viscosity	cSt 1.005
4	Head m		Vapour pressure	kPa 2.34
5	Geodetic head m		PH value	
6	Inlet pressure (pin) kPa	0	Density	kg/m³ 998.3
7	Available system NPSH		Solids	Weight % 0
8	Ambient temperature °C	20		

Pump

9	Pump Name	3ES 80-200/18.5	Frequency	Hz 50
10	Design	Inline vertical	Installation type	with base, motor
11	Manufacturer	EBARA	Impeller Diameter	Max. mm 201
12	Speed rpm	2900		Designed mm 201
13	No. of Stage	1		Min. mm 201
14	Connection Suction side	EN 16k	Flow	Operating m³/h
15	Connection Discharge side	EN 16k		Max- m³/h 126
16	Max Working Pressure kPa	1600		Min- m³/h 42
17	Shut-off head kPa	543.33	Head	Operating m
18	Total weight kg	See the table of "Dimensions".		- (Qmax.) m 29.3
19	Shaft power kW			- (Qmin.) m 53.5
20			Max. Shaft Power at max. impeller	kW 17.00
21	Required pump NPSH m		Efficiency	%

Materials

22	Impeller	AISI 316	
23	Casing	Cast iron	
24	Shaft	AISI 304(wet extension)	
25			
26			
27			

Motor

28	Manufacturer	LAFERT	Insulation class	F
29	Type	TEFC_3ES_2_18.5_400_1	Phases	3~
30	Specific design	TEFC / 50 Hz / Pole pairs 1	Frame size	160L
31	Rated power kW	18.5	Weight	kg
32	Number of poles	2	Electric voltage	V 400
33	Speed rpm	2900	Electric current	A 33
34	Degree of protection	IP55		
35				

Remarks

Performance Curve

Pump Name

3ES 80-200/18.5

Customer	Date 09.06.2024	Company
Contact	Item no.	Issued by
Phone	Project	Phone
E-mail	Project ID	E-mail

Requested data

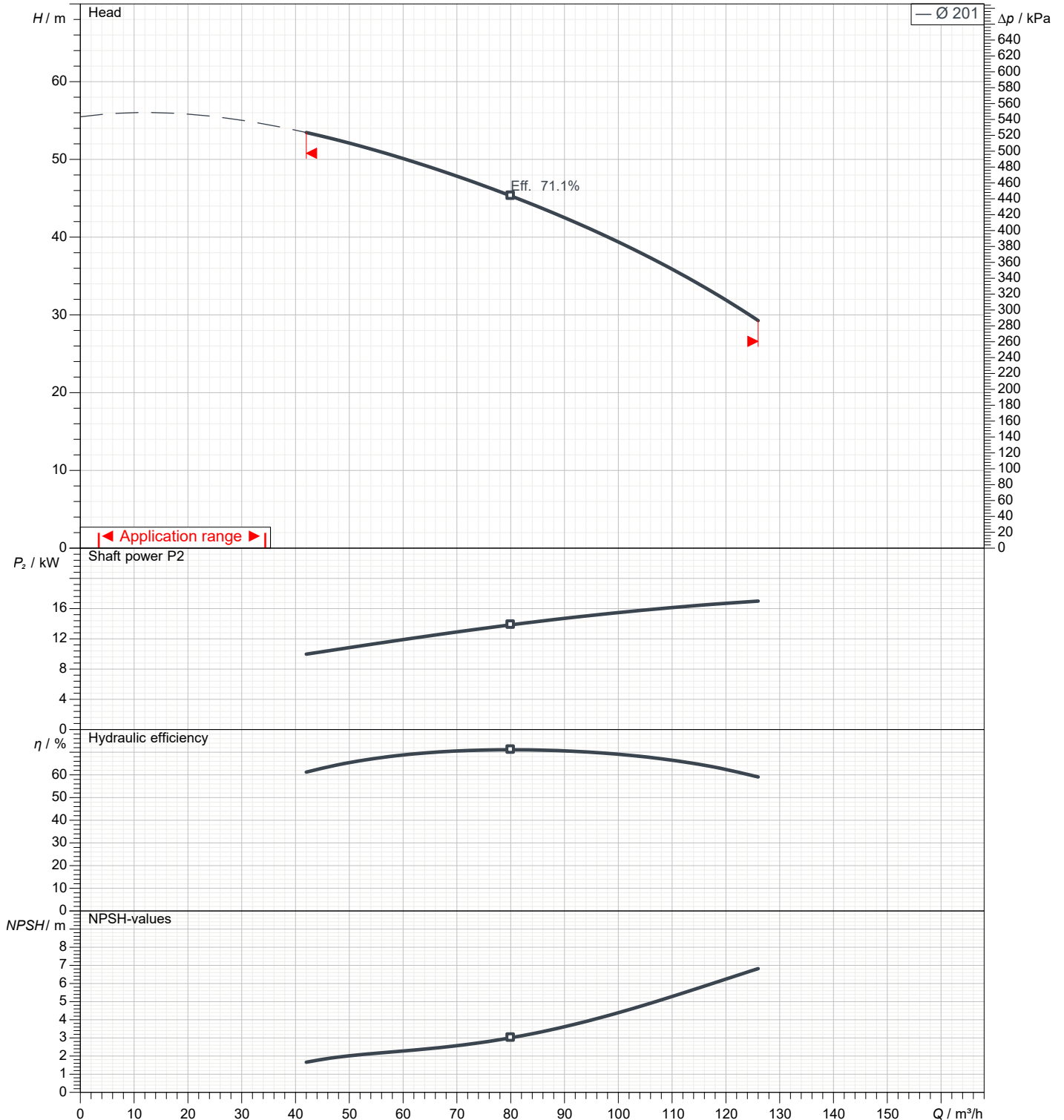
1	Flow	m³/h	
2	Head	m	
3	Geodetic head	m	

Pump

Operating flow	m³/h	Frequency	Hz	50	
Operating head	m	Number of poles		2	
Impeller diameter designed	mm	201	Speed	rpm	2900

Test standard: ISO 9906:2012 - Grade3B

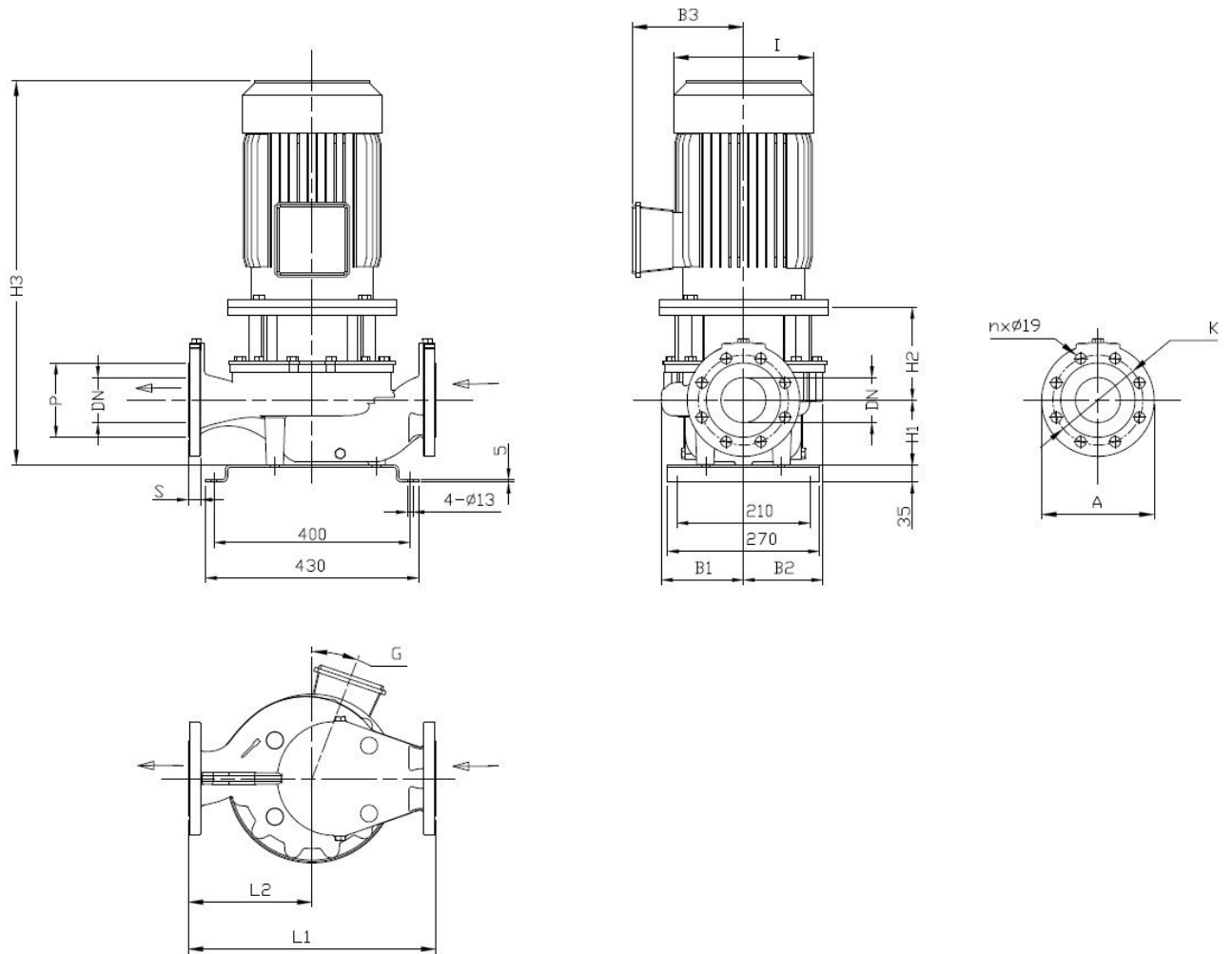
Water; 20°C; 998.3kg/m³; 1cSt



Dimensions

Pump Name 3ES 80-200/18.5

Customer	Date 09.06.2024	Company
Contact	Item no.	Issued by
Phone	Project	Phone
E-mail	Project ID	E-mail



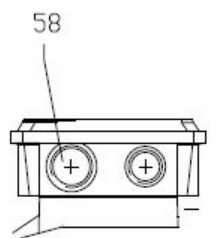
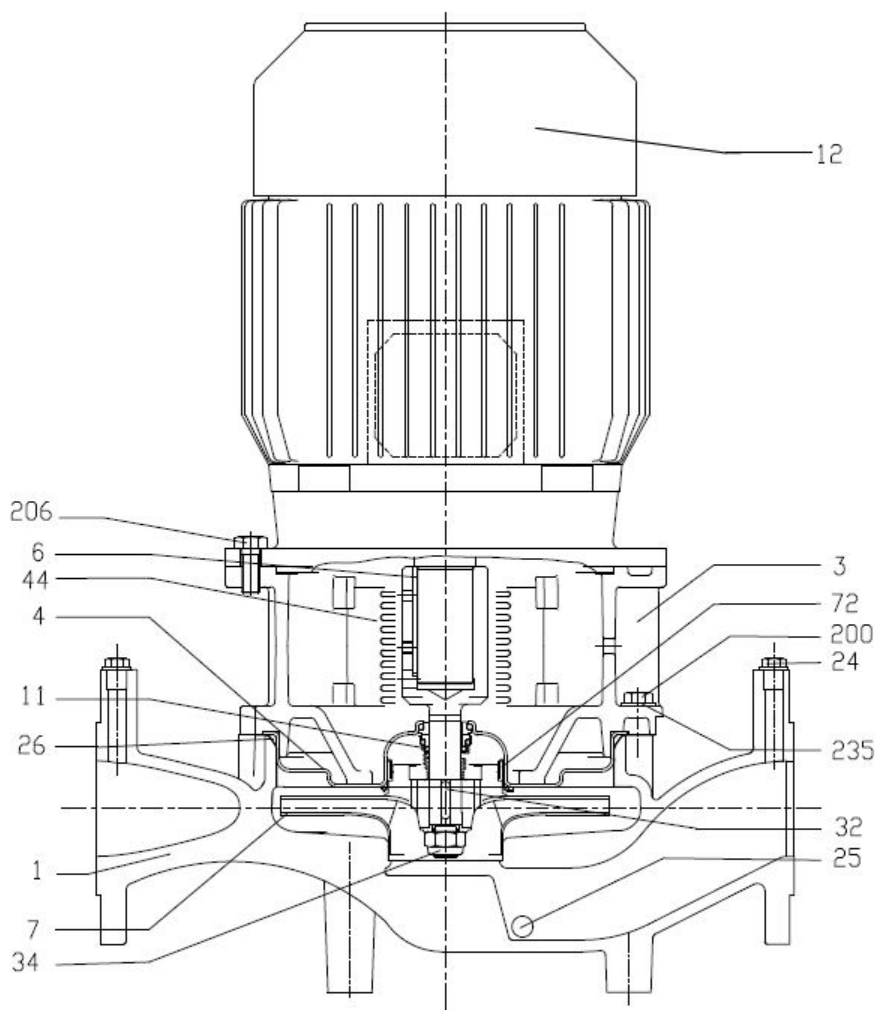
Dimensions in		mm						
1	A	200	Φ K	160				
2	B1	160	Φ P	132				
3	B2	141						
4	B3	238						
5	G	0						
6	H1	115						
7	H2	208						
8	H3	865						
9	I	317						
10	L1	500						
11	L2	250						
12	n	8(Num)						
13	S	22						
14	Weight P&M&B	164.9 kg						
15	Φ DN	80						

(1/3)

Construction

Pump Name 3ES 80-200/18.5

Customer	Date 09.06.2024	Company
Contact	Item no.	Issued by
Phone	Project	Phone
E-mail	Project ID	E-mail



(2/3)

Construction

Pump Name 3ES 80-200/18.5

Customer	Date 09.06.2024	Company
Contact	Item no.	Issued by
Phone	Project	Phone
E-mail	Project ID	E-mail

No	PART NAME	MATERIAL	DIMENSIONS	STANDARD	Q.TY
1	Casing	Cast iron EN-GJL200-EN 1561			1
3	Motor bracket	Cast iron EN-GJL-200-EN 1561			1
4	Casing cover	EN 1.4301(AISI 304)			1
6	Coupling - Wet extensions	EN 1.4301(AISI 304)[7]			1
7	Impeller [1]	-			1
11	Mechanical seal [2]	-			1
12	Motor				1
24	Priming plug	Brass	G 1/4		2
25	Drain plug	50-200			4
		Other models	Brass	G 1/4	2
26	O-ring	EPDM[3]	227.96x5.34	OR 6895	1
32	Key	50-200,65-200,80-160/9.2,80-160/11 80-160/15,80-200,100-160	6x6x25	UNI 6604	1
			8x7x30		
34	Impeller nut	Up to11kW [4] 65-200/15 15 kW and above	M16x1.5	UNI 7474	1
			M18x1.5		
			M20x1.5		
44	Protection	EN 1.4301(AISI 304)		EBARA	1
72	Casing ring [5]	EN 1.4301(AISI 304)			1
200	Screw	50-200,65-200,80-160,80-200	M10x35	UNI 5739	12
		100-160			Gv. Steel 8.8 strength class ISO 898-1
206	Screw for bracket	From 5.5kW to 9.2kW	M12x30	UNI 5739	4
		From 11kW to 18.5kW	M16x35		
		From 22kW to 37kW	M16x45		
235	Washer	Galvanized Steel	10.5x21	UNI 6592	12

[1] EN 1.4301 (AISI 304) for 50,65 series;
EN 1.4401(AISI 316) for 80,100 series

[2] See MECHANICAL SEAL pages

[3] FPM for Q1AVGG

EPDM for Q1AEGG,Q4Q1EGG

[4] Except for 100-160/11kW :M20x1.5

[5] Only for: 65-200

[6] See 3DS COUPLING page

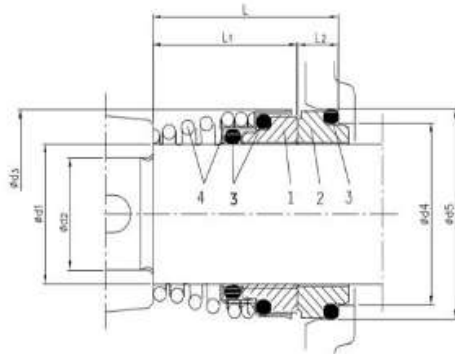
[7] EN 1.4404 (AISI 316L) for 100 series

(3/3)

Construction

Pump Name 3ES 80-200/18.5

Customer	Date 09.06.2024	Company
Contact	Item no.	Issued by
Phone	Project	Phone
E-mail	Project ID	E-mail



Version	Pump type	Dimensions [mm]								Material			
		d1	d2	d3	d4	d5	L	L1	L2	1 Rotary seal ring	2 Stationary seal ring	3 Rubber	4 Frame + Spring
Standard (Q1AEGG)	32-125/160/200 50-100 65-100/0.55-0.75 40-160/200	15	12	26	21	26.9	29	22	7	Silicon Carbide	Metarised Carbon	EPDM	EN 1.4401 (AISI 316)
	50-125/160/200 65-100/1.1-1.5 65-125/160/200	22	19	36	31	37	37.5	27.5	10				
	80-100 80-160/9.2-11 80-160/15	30	24	46	39	45	42.5	32.5	10				
	80-200 100-160												