

Technical Data

Booster set name

3GPE EVMS20 3N5/4,0 ESPT (UK)

| | | | |
|----------|------------|------------|-----------|
| Customer | Date | 09.06.2024 | Company |
| Contact | Item no. | | Issued by |
| Phone | Project | | Phone |
| E-mail | Project ID | | E-mail |

Requested data

| | | | | |
|---|-----------------------|-------------------------------|---------------------|-------------------------|
| 1 | Pump type | Booster Set | Fluid | Water |
| 2 | Number of pumps | 3 | Liquid temperature | °C 20 |
| 3 | Flow | m ³ /h | Kin. viscosity | cSt 1.005 |
| 4 | Head | m | Vapour pressure | kPa 2.34 |
| 5 | Geodetic head | m | PH value | |
| 6 | Inlet pressure | kPa 0 | Density | kg/m ³ 998.3 |
| 7 | Available system NPSH | Ask our technical department. | Solids | Weight % 0 |
| 8 | Ambient temperature | °C 20 | Installation height | m 100 |

Booster Set

| | | | | |
|----|----------------------|-----------------------------------|-----------------------------------|-----------------------------|
| 9 | Booster set name | 3GPE EVMS20 3N5/4,0 ESPT (UK) | Frequency | Hz 50 |
| 10 | Design | Booster Set | | |
| 11 | Manufacturer | EBARA | Impeller Dia. | Max. mm 113 |
| 12 | Speed | rpm 2920 | | Designed mm 113 |
| 13 | No. of Stage | 3 | | Min. mm 113 |
| 14 | Connection | Suction side UNI ISO 228 PN16 | Flow | Operating m ³ /h |
| 15 | Connection | Discharge side UNI ISO 228 PN16 | | Max- m ³ /h 28.8 |
| 16 | Max Working Pressure | kPa 1600 | | Min- m ³ /h 10.8 |
| 17 | Shut-off head | kPa 501.72 | Head | Operating m |
| 18 | Total weight | kg See the table of "Dimensions". | | - (Qmax.) m 26.8 |
| 19 | Shaft power | kW | | - (Qmin.) m 46.2 |
| 20 | | | Max. Shaft Power at max. impeller | kW 3.50 |
| 21 | Required NPSH | m | Efficiency | % |

Materials

| | | | | |
|----|------------------------|------------------|--------|----------|
| 22 | Frame | Galvanized steel | Shaft | AISI 304 |
| 23 | Manifold | AISI 304 | O-ring | EPDM |
| 24 | Check valve | Brass / NBR | | |
| 25 | Ball / Butterfly valve | Brass / PTFE | | |
| 26 | Impeller | AISI 304 | | |
| 27 | Casing | AISI 304 | | |

Motor

| | | | | |
|----|----------------------|-----------------------------------|------------------|---------|
| 28 | Manufacturer | ETM | Insulation class | F |
| 29 | Type | TEFC_EVMS20 3/4.0_400_Three Phase | Phases | 3~ |
| 30 | Specific design | IE3 / 50 Hz / Pole pairs 1 | Frame size | 112 |
| 31 | Rated power | kW 4 | Weight; motor | kg 28.5 |
| 32 | Number of poles | 2 | Electric voltage | V 400 |
| 33 | Speed | rpm 2920 | Electric current | A 8.7 |
| 34 | Degree of protection | IP 55 | | |
| 35 | | | | |

Remarks

| |
|---------------------------------------|
| Item intended for the UK market only. |
|---------------------------------------|

Performance curve

Booster set name

3GPE EVMS20 3N5/4,0 ESPT (UK)

| | | | |
|----------|------------|------------|-----------|
| Customer | Date | 09.06.2024 | Company |
| Contact | Item no. | | Issued by |
| Phone | Project | | Phone |
| E-mail | Project ID | | E-mail |

Requested data

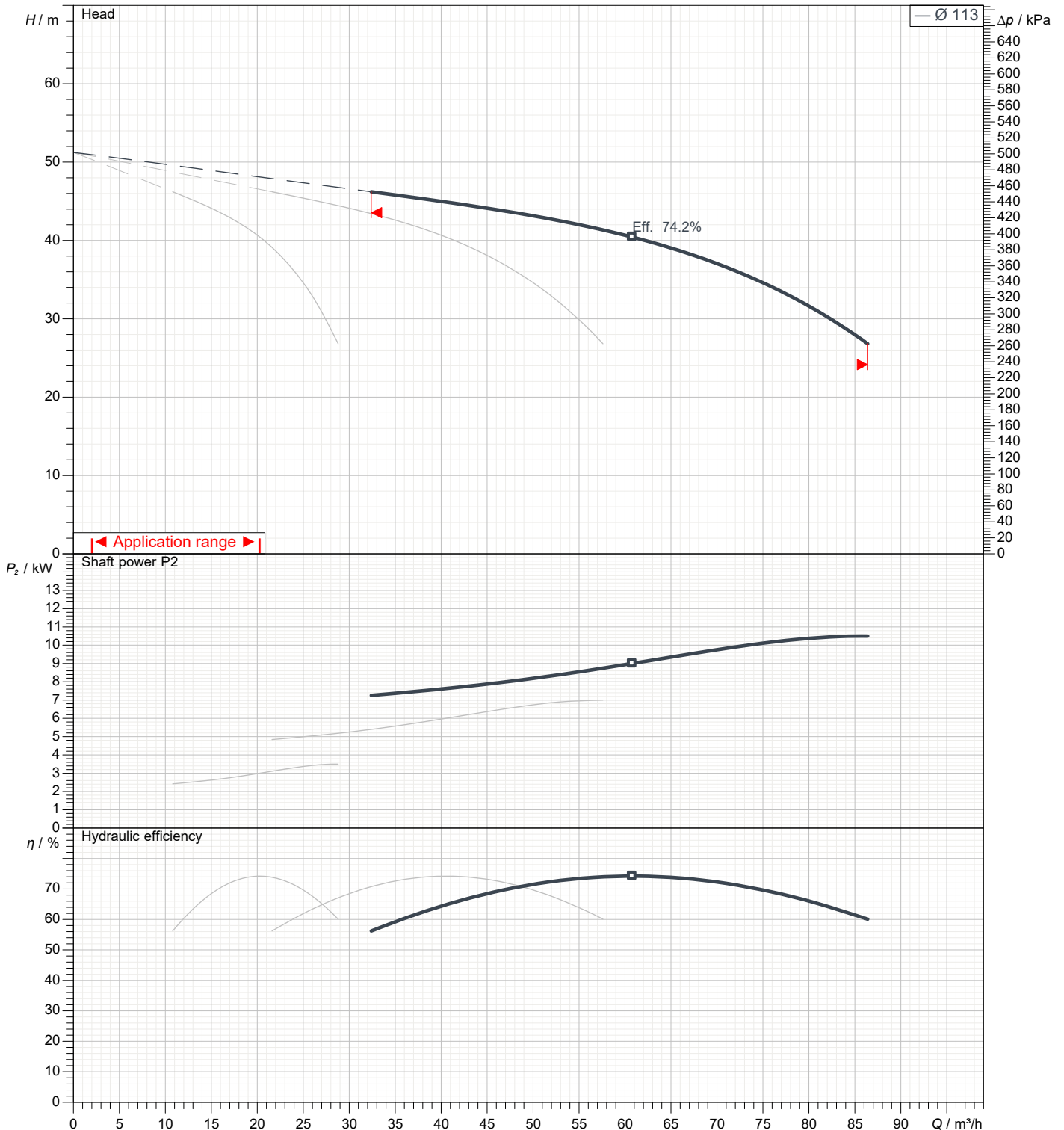
| | | | |
|---|---------------|-------------------|--|
| 1 | Flow | m ³ /h | |
| 2 | Head | m | |
| 3 | Geodetic head | m | |

Booster set

| | | | | | |
|---------------------------|-------------------|-----|-----------------|-----|------|
| Operating flow | m ³ /h | | Frequency | Hz | 50 |
| Operating head | m | | Number of poles | | 2 |
| ImpellerDiameter Designed | mm | 113 | Speed | rpm | 2920 |

Test standard: ISO 9906:2012 - Grade3B

Water; 20°C; 998.3kg/m³; 1cSt

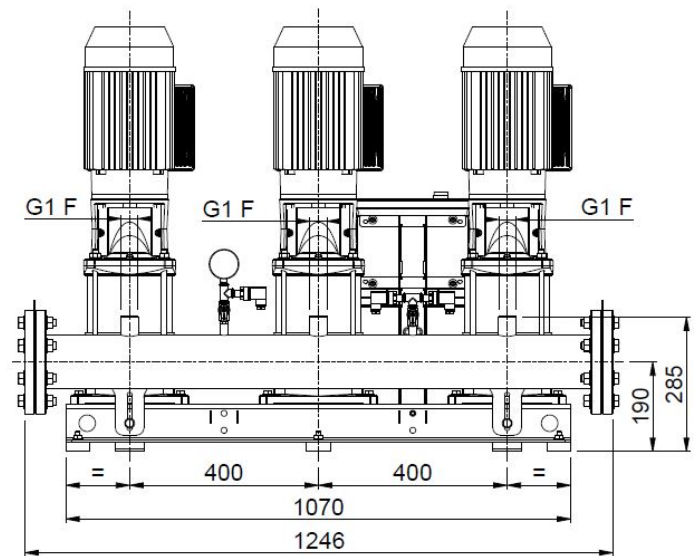
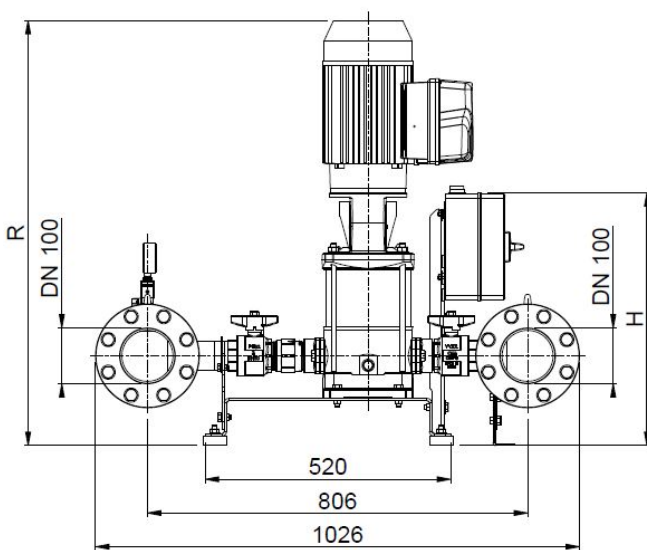


Dimensions

Booster set name

3GPE EVMS20 3N5/4,0 ESPT (UK)

| | | |
|----------|-----------------|-----------|
| Customer | Date 09.06.2024 | Company |
| Contact | Item no. | Issued by |
| Phone | Project | Phone |
| E-mail | Project ID | E-mail |



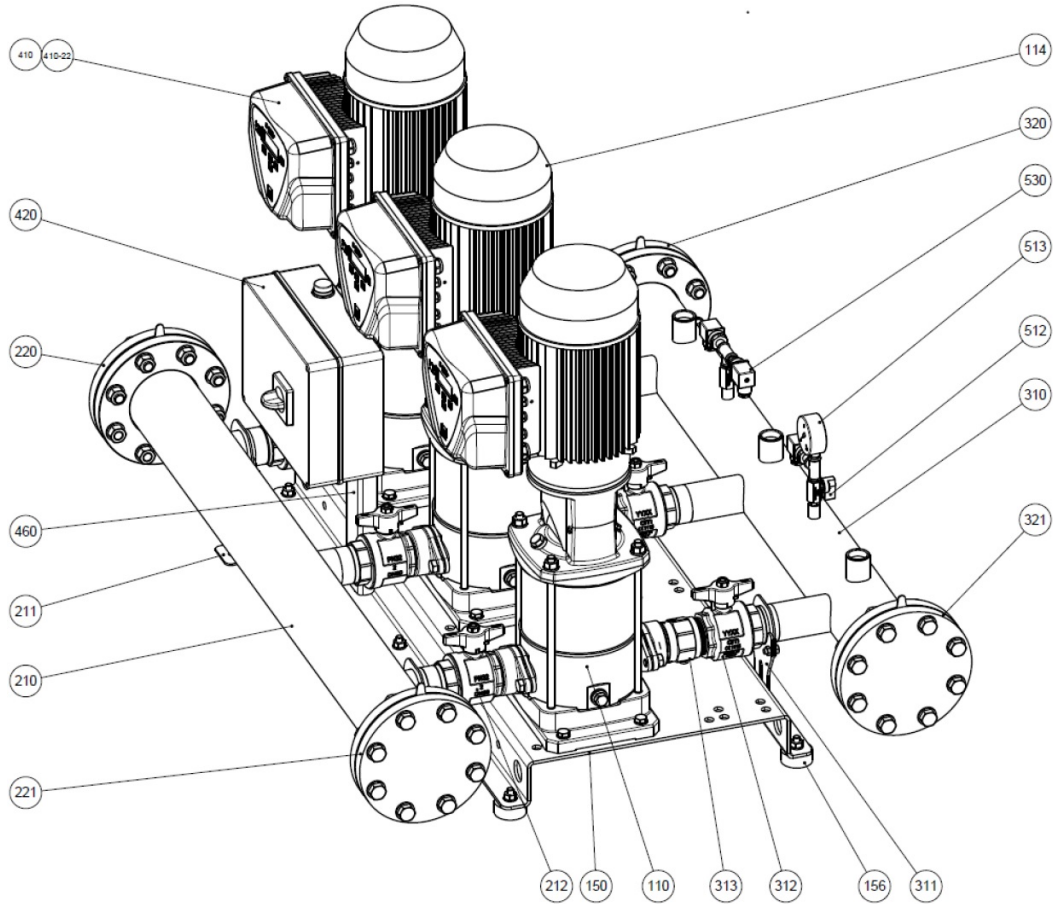
| Dimensions in | | mm | | | | | | |
|---------------|-----------|-----|--|--|--|--|--|--|
| 1 | H | 535 | | | | | | |
| 2 | R | 901 | | | | | | |
| 3 | Weight kg | 218 | | | | | | |
| 4 | | | | | | | | |
| 5 | | | | | | | | |
| 6 | | | | | | | | |
| 7 | | | | | | | | |
| 8 | | | | | | | | |
| 9 | | | | | | | | |
| 10 | | | | | | | | |
| 11 | | | | | | | | |
| 12 | | | | | | | | |
| 13 | | | | | | | | |
| 14 | | | | | | | | |
| 15 | | | | | | | | |

(1/2) Construction

Booster set name

3GPE EVMS20 3N5/4,0 ESPT (UK)

| | | |
|----------|-----------------|-----------|
| Customer | Date 09.06.2024 | Company |
| Contact | Item no. | Issued by |
| Phone | Project | Phone |
| E-mail | Project ID | E-mail |

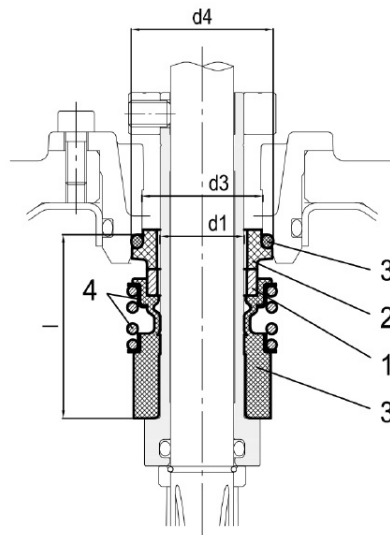


| N° | PART NAME | MATERIAL | Quantity |
|--------|------------------------|------------------------|----------|
| 110 | Principal pump | - | 3 |
| 114 | Electric motor | - | 3 |
| 150 | Baseplate | Galvanized steel | 1 |
| 156 | Baseplate foot | SBR | 6 |
| 210 | Suction manifold | AISI 304 | 1 |
| 211 | Manifold bracket | Galvanized steel | 2 |
| 212 | Ball valve | Brass / P.T.F.E. | 3 |
| 220 | Counterflange | AISI 304 | 1 |
| 221 | Blind counterflange | AISI 304 | 1 |
| 310 | Discharge manifold | AISI 304 | 1 |
| 311 | Manifold bracket | Galvanized steel | 2 |
| 312 | Ball valve | Brass / P.T.F.E. | 3 |
| 313 | Check valve | Brass / NBR | 3 |
| 320 | Counterflange | AISI 304 | 1 |
| 321 | Blind counterflange | AISI 304 | 1 |
| 410 | E-SPD+ | - | 3 |
| 410-22 | E-SPD+ adaptor | - | 3 |
| 420 | Protection panel | - | 1 |
| 460 | Protection panel frame | Galvanized steel | 1 |
| 512 | Ball valve | Brass / P.T.F.E. | 2 |
| 513 | Pressure gauge | Copper alloy / plastic | 1 |
| 530 | Pressure transmitter | - | 3 |

(2/2) Construction

Booster set name
3GPE EVMS20 3N5/4,0 ESPT (UK)

| | | |
|----------|-----------------|-----------|
| Customer | Date 09.06.2024 | Company |
| Contact | Item no. | Issued by |
| Phone | Project | Phone |
| E-mail | Project ID | E-mail |



● : Standard

| Pump model | Max operating pressure | Max operating temperature | Shaft seal type | | Shaft seal material | | | | | | | Type key | | |
|--------------|------------------------|---------------------------|-----------------|----------|---------------------|--------|-----------------|------|------------|----------|--------------------|----------|--------|------|
| | | | Cartridge | | 1 | | 2 | | 3 | | 4 | | 5 | |
| | | | Unbalanced | Balanced | Rotating Part | Code | Stationary Part | Code | Elastomers | Code | Compression spring | | Collar | Code |
| up to 16 bar | - 30°C to + 120°C | ● | | SIC | (Q1) | Carbon | (B) | EPDM | (E) | AISI 316 | | (G) | Q1BEG | |

| Max operating pressure | d1 | d2 | d3 | d4 | l |
|------------------------|------|------|------|------|------|
| | [mm] | [mm] | [mm] | [mm] | [mm] |
| 16 bar | 20 | - | 29 | 35 | 37.5 |