

Technical Data

Pump Name

3LM4 65-250/5.5

Customer	Date	09.06.2024	Company
Contact	Item no.		Issued by
Phone	Project		Phone
E-mail	Project ID		E-mail

Requested data

1	Pump type	CENTRIFUGAL PUMPS	Fluid	Water
2	Number of pumps / Reserve	1 / 0	Liquid temperature	°C 20
3	Flow m³/h		Kin. viscosity	cSt 1.005
4	Head m		Vapour pressure	kPa 2.34
5	Geodetic head m		PH value	
6	Inlet pressure (pin) kPa	0	Density	kg/m³ 998.3
7	Available system NPSH		Solids	Weight % 0
8	Ambient temperature °C	20		

Pump

9	Pump Name	3LM4 65-250/5.5	Frequency	Hz 50
10	Design	CENTRIFUGAL PUMPS	Installation type	STANDARD
11	Manufacturer	EBARA	Impeller Diameter	Max. mm 250
12	Speed rpm	1400		Designed mm 250
13	No. of Stage	1		Min. mm 250
14	Connection Suction side	DIN 2532	Flow	Operating m³/h
15	Connection Discharge side	DIN 2532		Max- m³/h 84
16	Max Working Pressure kPa	1000		Min- m³/h 30
17	Shut-off head kPa	213.49	Head	Operating m
18	Total weight kg	See the table of "Dimensions".		- (Qmax.) m 12.8
19	Shaft power kW			- (Qmin.) m 21.2
20			Max. Shaft Power at max. impeller	kW 4.70
21	Required pump NPSH m		Efficiency	%

Materials

22	Impeller	AISI 316	
23	Casing	AISI 316	
24	Shaft	AISI 316L	
25			
26			
27			

Motor

28	Manufacturer	EPE Standard	Insulation class	F
29	Type	TEFC_3LM465-250/5.5_400_Three Phase	Phases	3~
30	Specific design	IE3 / 50 Hz / Pole pairs 2	Frame size	132
31	Rated power kW	5.5	Weight	kg
32	Number of poles	4	Electric voltage	V 400
33	Speed rpm	1400	Electric current	A 10.9
34	Degree of protection	IP 55		
35				

Remarks

Performance Curve

Pump Name

3LM4 65-250/5.5

Customer	Date	09.06.2024	Company
Contact	Item no.		Issued by
Phone	Project		Phone
E-mail	Project ID		E-mail

Requested data

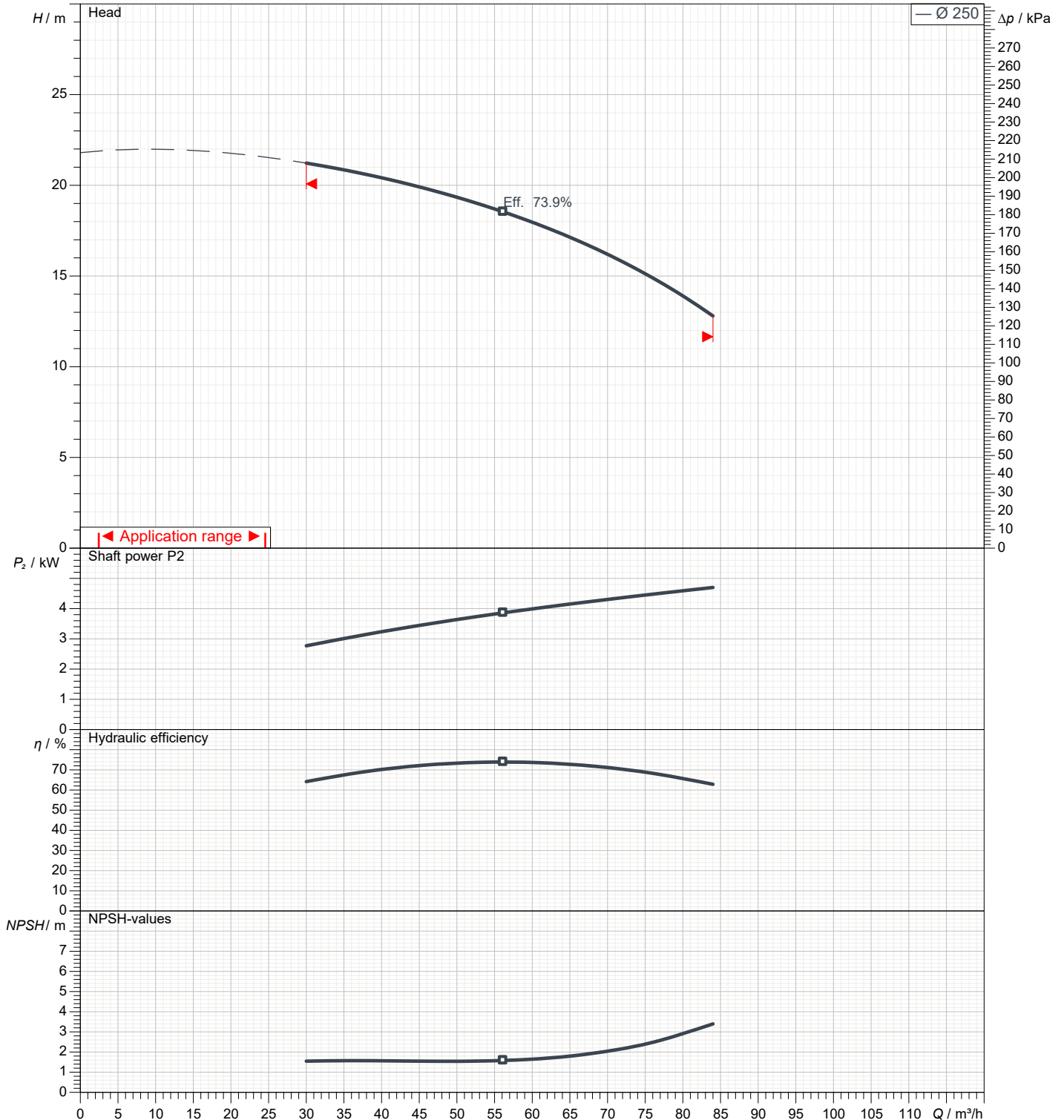
1	Flow	m³/h	
2	Head	m	
3	Geodetic head	m	

Pump

Operating flow	m³/h		Frequency	Hz	50
Operating head	m		Number of poles		4
Impeller diameter designed	mm	250	Speed	rpm	1400

Test standard: ISO 9906:2012 - Grade3B

Water; 20°C; 998.3kg/m³; 1cSt



Dimensions

Pump Name 3LM4 65-250/5.5

Customer	Date 09.06.2024	Company
Contact	Item no.	Issued by
Phone	Project	Phone
E-mail	Project ID	E-mail

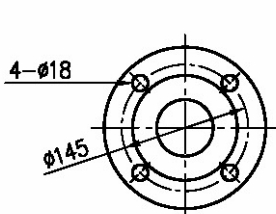
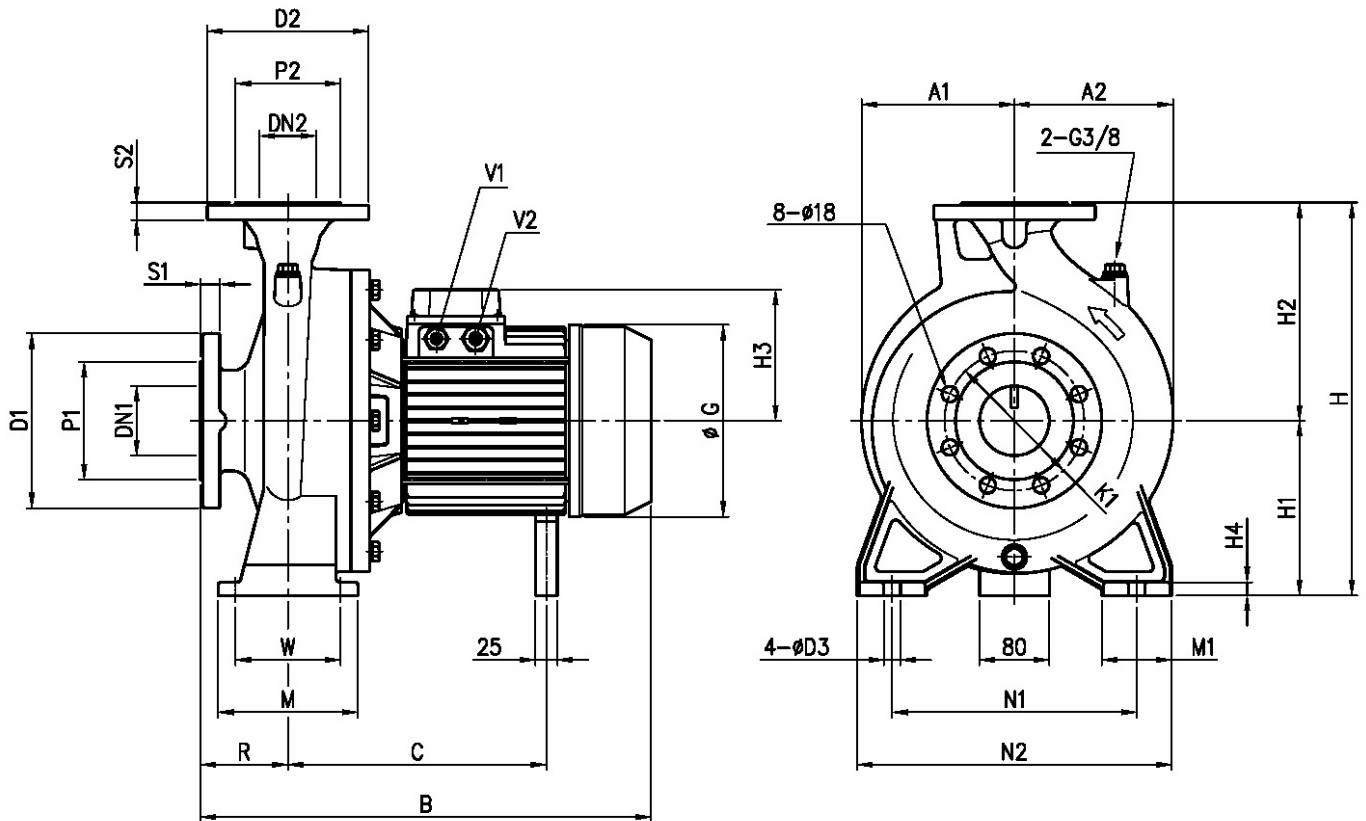


Fig. 1

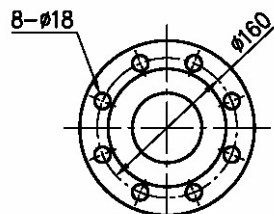


Fig. 2

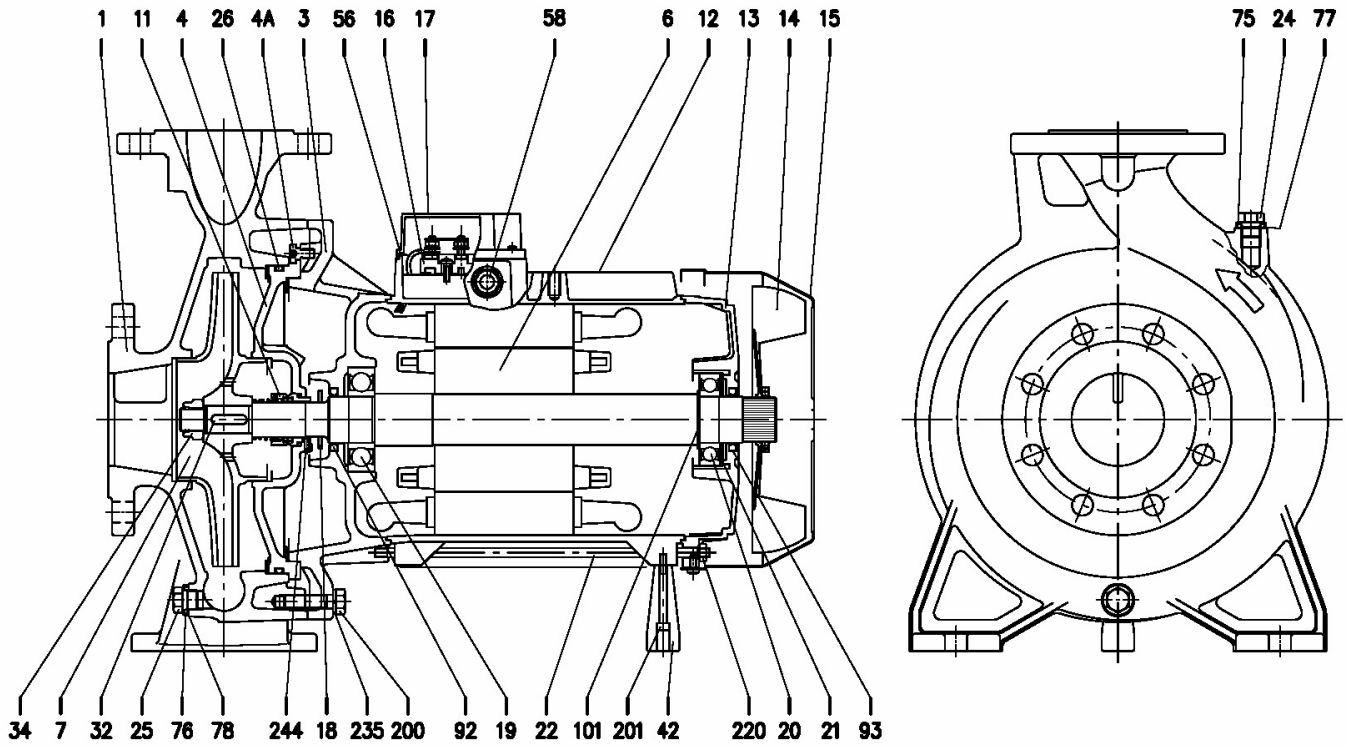
Dimensions in		mm		
1	A1	175	H2	250
2	A2	182	H3	178
3	B	612	H4	15
4	C	376	M	160
5	D3	19	M1	80
6	Dia D1	200	N1	280
7	Dia D2	185	N2	360
8	Dia DN1	80	R	100
9	Dia DN2	65 Fig.1	S1	22
10	Dia K1	160	S2	20
11	Dia P1	135	V1	PG 13,5
12	Dia P2	120	V2	PG 21
13	G	259	W	280
14	H	450	Weight P&M	96 kg
15	H1	200		

(1/3)

Construction

Pump Name 3LM4 65-250/5.5

Customer	Date 09.06.2024	Company
Contact	Item no.	Issued by
Phone	Project	Phone
E-mail	Project ID	E-mail



(2/3)

Construction

Pump Name 3LM4 65-250/5.5

Customer	Date 09.06.2024	Company
Contact	Item no.	Issued by
Phone	Project	Phone
E-mail	Project ID	E-mail

N°	PART NAME	MATERIAL	DIMENSIONS	STANDARD	Q.TY
1	Casing	EN 1.4401 (AISI 316)			1
3	Motor bracket	Cast iron EN-GJL-200-EN 1561			1
4	Casing cover	EN 1.4401 (AISI 316)			1
4 A	Screw for casing cover	EN 1.4301 (AISI 304)			2
6	Shaft with rotor	EN 1.4404(AISI 316L) -Part in contact with liquid			1
7	Impeller	EN 1.4401 (AISI 316)			1
11	Mechanical seal [2]	SiC/SiC/FPM			1
12	Motor frame with stator	-			1
13	Motor cover	Aluminium			1
14	Fan	PA			1
15	Fan cover	Fe P04 Galvanized			1
16	Terminal	-			1
17	Terminal box cover	Aluminium			1
18	Splash ring	NBR	50x29.5x3	EPE DRAWING	1
19	Bearing	-			1
20	Bearing	-			1
21	Adjusting ring	Steel C70			1
22	Tie rod	Fe 42 Galvanized			4
24	Plug	EN 1.4404 (AISI 316L)	G 3/8	EPE DRAWING	1
25	Plug	EN 1.4404 (AISI 316L)	G 3/8	EPE DRAWING	1
26	O ring	FPM [3]	227.96x5.34	OR 6895	1
32	Key	EN 1.4404 (AISI 316L)	8x7x30	UNI 6604	1
34	Impeller nut	Aluminium	M20x1.5	UNI 7474	1
42	Foot	Aluminium		EPE DRAWING	1
56	Box gasket	NBR			1
58	Fasting nut	-			1
75	Washer (plug)				1
76	Washer (plug)	EN 1.4404 (AISI 316L)			1
77	O-ring (plug)				1
78	O-ring (plug)	FPM [3]			1
92	O ring	3 - 4 kW 5.5 kW	30x47x7 40x55x7	DIN 3760 without spring	1
93	O ring	3 kW 4 kW 5.5 kW	25x40x7 30x47x7 40x55x7	DIN 3760 without spring	1
101	Snap ring (only 5.5 kW)	Carbon tool steels TC 80	Ø 40	UNI 7435	1
200	Screw	Stainless steel A2-70 class ISO 3506/1	M 12x45	UNI 5739	10
201	Screw	for 80-200/4 kW for 80-200/3 kW for the other versions	Stainless steel A2-70 class ISO 3506/1 M 6x12 M 6x45 M 6x60	UNI 5739	1
220	Nut for tie rod (only 5.5 kW)	Galvanized steel	M8		4
235	Washer	EN 1.4301(AISI 304)	13	UNI 8842	10
244	Pin [1]	EN 1.4301(AISI 304)	4x12		1

[1] Not for H, HW, HSW and E options

[2] Special version: see CONSTRUCTION 3

[3] FPM for H-HW-HSW version

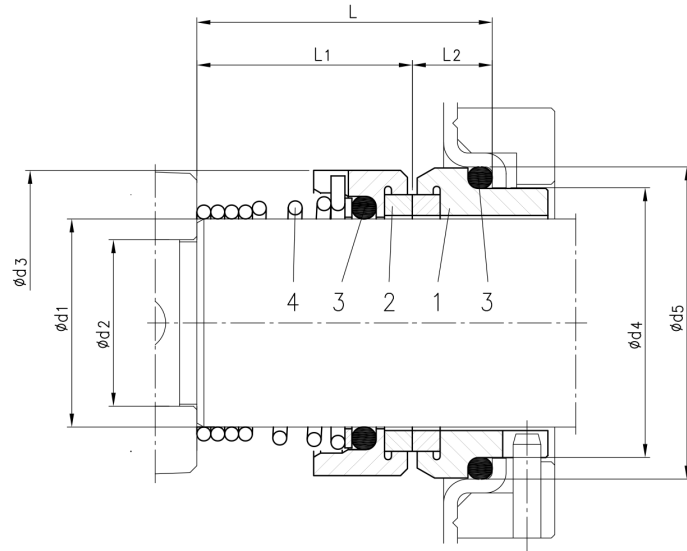
EPDM for E version, Q1AEGG, Q1Q1EGG, Q1U3EGG, U3CEGG

(3/3)

Construction

Pump Name 3LM4 65-250/5.5

Customer	Date 09.06.2024	Company
Contact	Item no.	Issued by
Phone	Project	Phone
E-mail	Project ID	E-mail



Version	Pump type	Dimensions									Material			
		d1	d2	d3	d4	d5	L	L1	L2	1 Stationary seal ring	2 Rotary seal ring	3 Rubber	4 Frame + spring	
L ø30	65-250 80-200/250	30	24	44	39	45	42.5	31	11.5	SiC	SiC	FPM	EN 1.4571 (AISI 316Ti)	