

# Technical Data

Pump Name

3LMZ 32-200/3.0

Customer	Date	09.06.2024	Company
Contact	Item no.		Issued by
Phone	Project		Phone
E-mail	Project ID		E-mail

## Requested data

1	Pump type	CENTRIFUGAL PUMPS	Fluid	Water
2	Number of pumps / Reserve	1 / 0	Liquid temperature	°C
3	Flow	m³/h	Kin. viscosity	cSt
4	Head	m	Vapour pressure	kPa
5	Geodetic head	m	PH value	
6	Inlet pressure (pin)	kPa	Density	kg/m³
7	Available system NPSH		Solids	Weight %
8	Ambient temperature	°C		

## Pump

9	Pump Name	3LMZ 32-200/3.0	Frequency	Hz	50	
10	Design	CENTRIFUGAL PUMPS	Installation type		STANDARD	
11	Manufacturer	EBARA	Impeller Diameter	Max.	mm	
12	Speed	rpm		2900	Designed	mm
13	No. of Stage	1		Min.	mm	186
14	Connection	Suction side	DIN 2532	Flow	Operating	m³/h
15	Connection	Discharge side	DIN 2532		Max-	m³/h
16	Max Working Pressure	kPa	1000		Min-	m³/h
17	Shut-off head	kPa	430.91	Head	Operating	m
18	Total weight	kg	See the table of "Dimensions".		- (Qmax.)	m
19	Shaft power	kW			- (Qmin.)	m
20				Max. Shaft Power at max. impeller	kW	2.96
21	Required pump NPSH	m		Efficiency	%	

## Materials

22	Impeller	AISI 316L		
23	Casing	AISI 316L		
24	Shaft	AISI 316L		
25				
26				
27				

## Motor

28	Manufacturer	EPE Standard	Insulation class	F	
29	Type	TEFC_3M32-200/3.0_230_Three Phase	Phases	3~	
30	Specific design	IE3 / 50 Hz / Pole pairs 1	Frame size		
31	Rated power	kW	3	Weight	kg
32	Number of poles	2	Electric voltage	V	230
33	Speed	rpm	2900	Electric current	A
34	Degree of protection	IP 55			
35					

## Remarks

# Performance Curve

Pump Name

3LMZ 32-200/3.0

Customer	Date	09.06.2024	Company
Contact	Item no.		Issued by
Phone	Project		Phone
E-mail	Project ID		E-mail

## Requested data

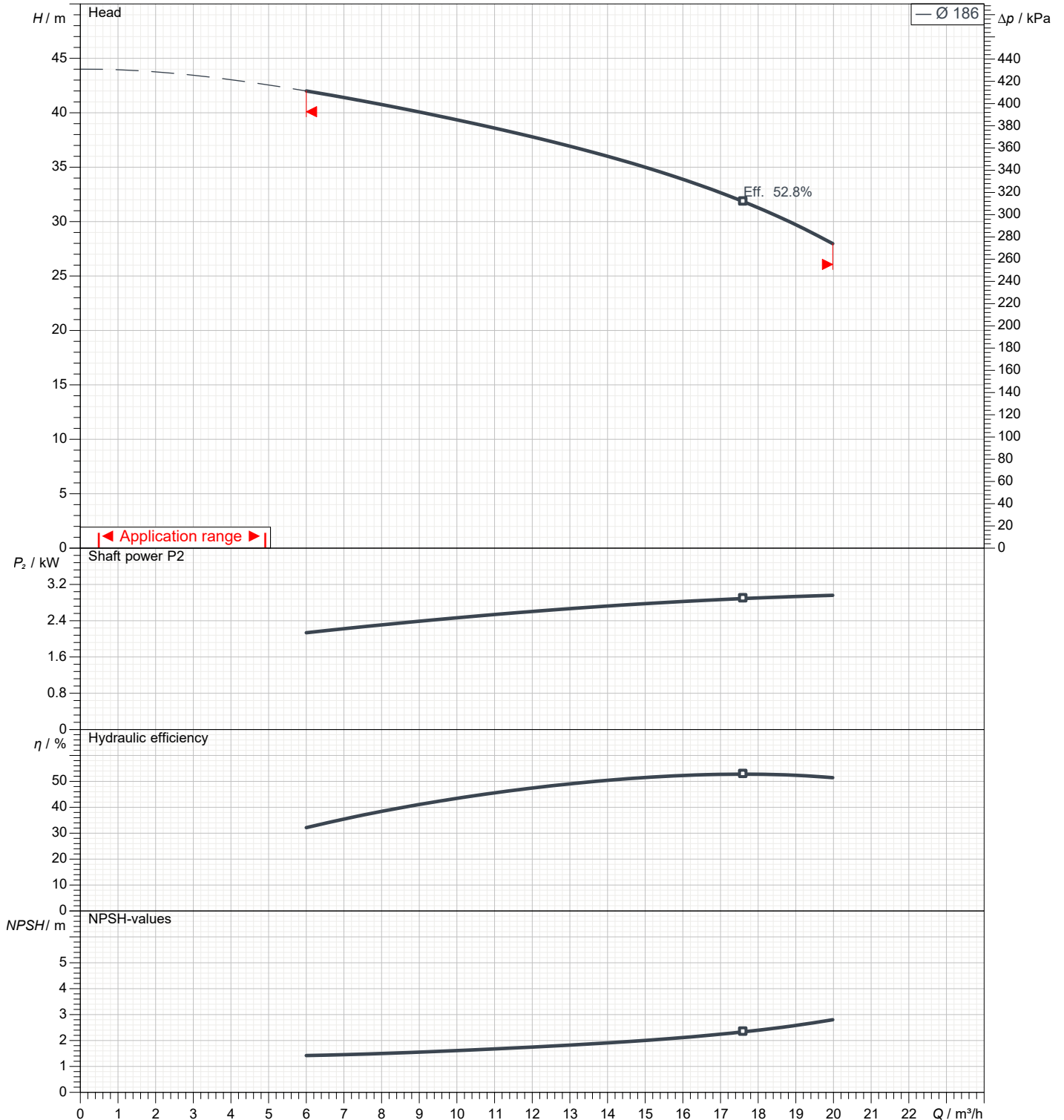
1	Flow	m³/h	
2	Head	m	
3	Geodetic head	m	

## Pump

Operating flow	m³/h		Frequency	Hz	50
Operating head	m		Number of poles		2
Impeller diameter designed	mm	186	Speed	rpm	2900

Test standard: ISO 9906:2012 - Grade3B

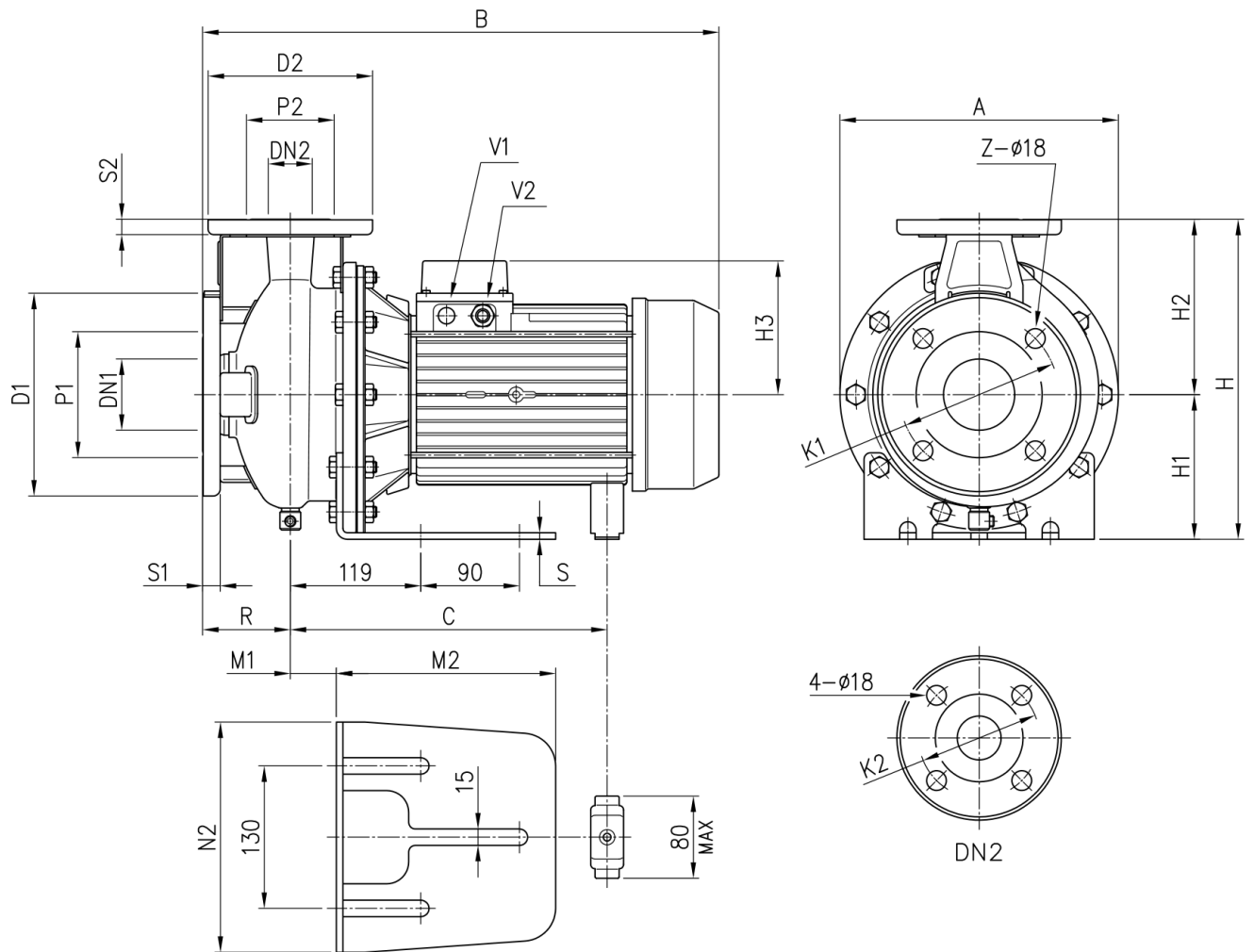
Water; 20°C; 998.3kg/m³; 1cSt



# Dimensions

Pump Name 3LMZ 32-200/3.0

Customer	Date 09.06.2024	Company
Contact	Item no.	Issued by
Phone	Project	Phone
E-mail	Project ID	E-mail

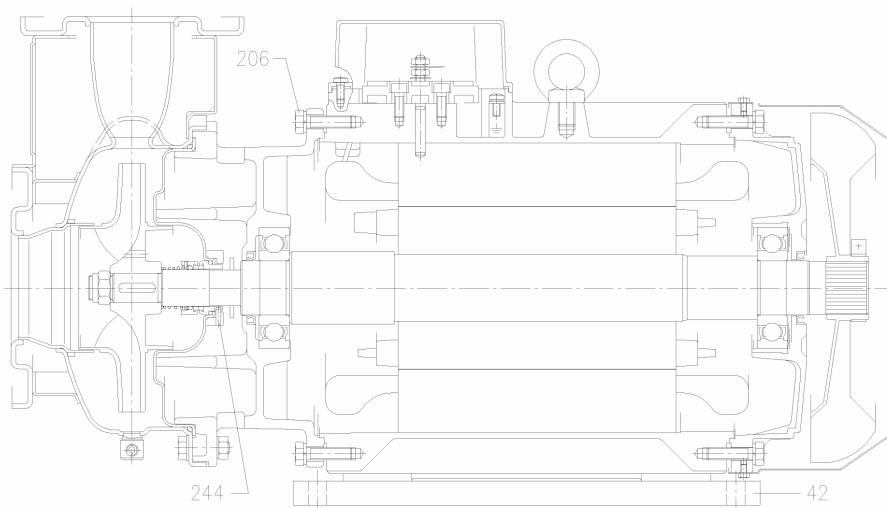
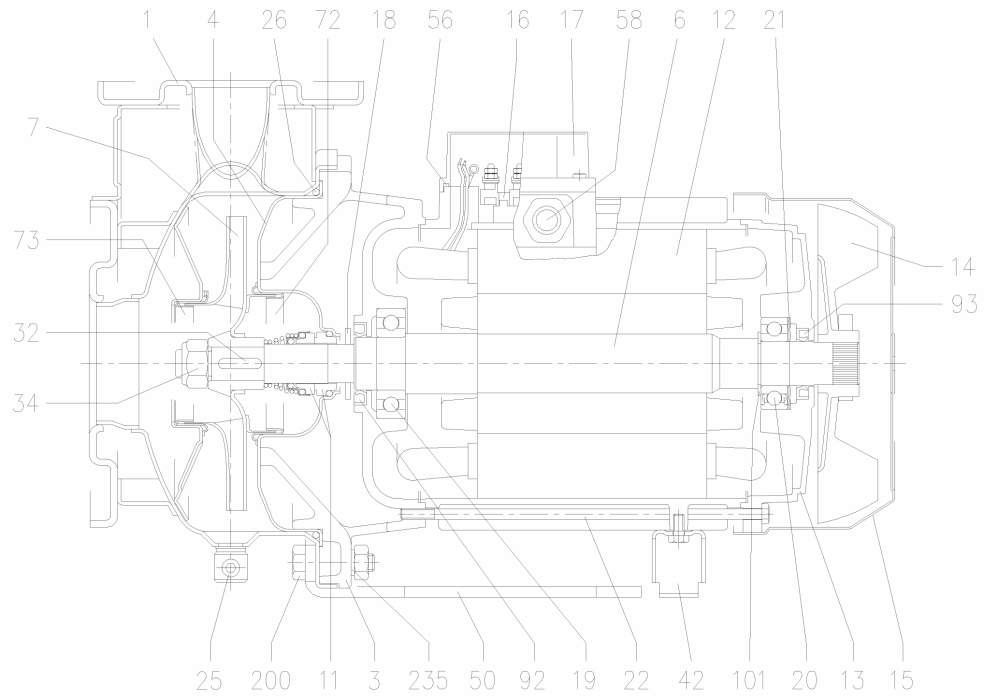


Dimensions in		mm						
1	A	296	M2	205				
2	B	471	N2	220				
3	Dia D1	165	R	80				
4	Dia D2	140	S	8				
5	Dia DN1	50	S1	16				
6	Dia DN2	32	S2	14				
7	Dia K1	125	V2	[M20X1,5				
8	Dia K2	100	Weight P&M	[35].1 kg				
9	Dia P1	95	Z	4				
10	Dia P2	75						
11	H	340						
12	H1	160						
13	H2	180						
14	H3	124						
15	M1	39						

# (1/3) Construction

Pump Name 3LMZ 32-200/3.0

Customer	Date 09.06.2024	Company
Contact	Item no.	Issued by
Phone	Project	Phone
E-mail	Project ID	E-mail



(2/3)

# Construction

Pump Name 3LMZ 32-200/3.0

Customer	Date 09.06.2024	Company
Contact	Item no.	Issued by
Phone	Project	Phone
E-mail	Project ID	E-mail

N°	PART NAME	MATERIAL	DIMENSIONS	STANDARD	Q.TY	
001	Casing	EN 1.4404 (AISI 316L)			1	
003	Motor bracket	[7]			1	
004	Casing cover	EN 1.4404 (AISI 316L)			1	
006	Shaft with rotor-Part in contact with liquid	EN 1.4404 (AISI 316L)			1	
007	Impeller	EN 1.4404 (AISI 316L)			1	
011	Mechanical seal	SiC/SiC/FPM	[6]		1	
012	Motor frame with stator	-			1	
013	Motor cover	Aluminium			1	
014	Fan	PA			1	
015	Fan cover	Fe P04 Galvanized			1	
016	Terminal	-			1	
017	Terminal box cover	Aluminium			1	
018	Splash ring	/	Up to 11 kW	40x21.5x3	EBARA DRAWING	1
			15 kW and above	50x29.5x3		
019	Bearing	-			1	
020	Bearing	-			1	
021	Adjusting ring	Steel C70			1	
022	Tie rod	Fe 42 Galvanized	Up to 3 kW	M5	EBARA DRAWING	4
			For 4 - 5.5 - 7.5 kW	M6		
			9.2 e 11kW	M8		
025	Screw	Galvanized Steel 8.8	M10x40	UNI 5739	1	
026	"O" ring	FPM	32-125, 40-125	R 1/8" L=8	DIN 906	1
			32-160, 40-160, 50-125, 65-160	158.11x5.34	OR 6625	
			32-200, 40-200, 50-160, 50-200, 65-160, 65-200	183.52x5.34	OR 6720	
				227.96x5.34	OR 6895	
032	Key	EN 1.4401 (AISI 316)	Up to 11 kW	A 6x6x25	UNI 6604	1
			15 kW and above	A 8x7x30		
034	Impeller nut	EN 1.4404 (AISI 316L)	Up to 11kW	M16x1.5	UNI 7474	1
			50-200/15	M18x1.5		
			15 kW and above	M20x1.5		
042	Foot	Al / Galvanized steel		EBARA DRAWING	[1]	
050	Casing foot (only from 1.1 kW to 11 kW)	Galvanized steel			1	
056	Box gasket	NBR			1	
058	Fasting nut	-			[2]	
072	Casing ring [3]	EN 1.4404 (AISI 316L)			1	
073	Casing ring	EN 1.4404 (AISI 316L)			1	
092	Lip seal	-	Up to 3kW	25x40x7	DIN 3760 without spring	1
			From 4 to 7.5 kW	30x47X7		
			From 9.2 kW to 11 kW	40x55x7		
			From 15 kW to 22 kW	45x60x7		
093	Lip seal	-	Up to 4 kW	25x40x7	DIN 3760 without spring	1
			From 5.5 kW to 7.5 kW	30x47X7		
			From 9.2 kW to 11 kW	40x55x7		
			From 15 kW to 22 kW	45x60x7		
101	Snap ring (only 9.2 and 11kW)	Carbon tool steels TC 80	Ø 40	UNI 7435	1	
200	Screw	Stainless steel A2 70 class ISO 3506/1	32-125, 40-125	M8	UNI 5739	8
			40-160, 40-200, 50-125, 50-160, 50-200, 65-125, 65-160, 65-200	M10		[4]
235	Washer	EN 1.4301 (AISI 304)	32-125, 40-125	8.4x17	UNI 6592	8
			40-160, 40-200, 50-125, 50-160, 50-200, 65-125, 65-160, 65-201	10.5x21		[4]

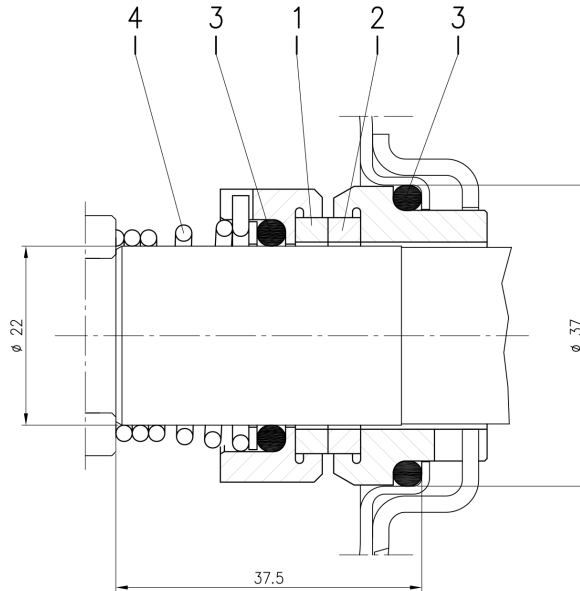
- [1] Quantity =0 for 50-200/15 and 65-160/15  
Quantity =1 for 32-200/7.5, 40-200/7.5/11, 50-160/7.5, 50-200/9.2/11, 65-125/7.5, 65-160/7.5/9.2/11 Quantity =2 for 65-200/15/18.5/22
- [2] Quantity =1 up to 11kW  
Quantity =2 from 15kW to 22kW
- [3] For version 32-200/3/4/5.5, 40-200/5.5/7.5/11, 50-160/5.5/7.5, 50-200/9.2/11/15
- [4] Quantity =10 for 32-160, 40-160, 50-125, 65-125  
Quantity =12 for 32-200, 40-200, 50-160, 50-200, 65-160, 65-200
- [5] For 15kW and above
- [6] Special version: see **CONSTRUCTION 3**
- [7] Cast iron EN-GJL-200-EN 1561 for 32-200/3 and models with 15, 18.5, 22 kW motor  
Aluminum AL-EN-1706-AC-46000-D for all the others.

(3/3)

# Construction

Pump Name 3LMZ 32-200/3.0

Customer	Date 09.06.2024	Company
Contact	Item no.	Issued by
Phone	Project	Phone
E-mail	Project ID	E-mail



Version	Pump type	Material			
		1 Stationary seal ring	2 Rotary seal ring	3 Rubber	4 Frame + spring
L $\phi 22$	32-125/160/200 40-125/160/200 50-125/160/200 65-125 65-160/7.5-9.2-11	SiC	SiC	FPM	EN 1.4571 (AISI 316Ti)