

Technical Data

Pump Name

3LM 65-125/5.56

Customer	Date	2024-06-20	Company
Contact	Item no.		Issued by
Phone	Project		Phone
E-mail	Project ID	Proiect redenumit 2024-06-20 10:03:09	E-mail

Requested data

1	Pump type	CENTRIFUGAL PUMPS	Fluid	Water	
2	Number of pumps / Reserve	1 / 0	Liquid temperature	°C	20
3	Flow	m³/h	Kin. viscosity	mm²/s	1.005
4	Head	m	Vapour pressure	bar	0.0234
5	Geodetic head	m	PH value		
6	Inlet pressure (pin)	bar	Density	kg/m³	998.3
7	Available system NPSH		Solids	Weight %	0
8	Ambient temperature	°C	20		

Pump

9	Pump Name	3LM 65-125/5.56	Frequency	Hz	60		
10	Design	CENTRIFUGAL PUMPS	Installation type		STANDARD		
11	Manufacturer	EBARA	Impeller Diameter	Max.	mm	121	
12	Speed	rpm		3480	Designed	mm	121
13	No. of Stage	1		Min.	mm	121	
14	Connection	Suction side	DIN 2532	Flow	Operating	m³/h	
15	Connection	Discharge side	DIN 2532		Max-	m³/h	120
16	Max Working Pressure	bar	10		Min-	m³/h	36
17	Shut-off head	bar	2.69	Head	Operating	m	
18	Total weight	kg	See the table of "Dimensions".		- (Qmax.)	m	9.5
19	Shaft power	kW			- (Qmin.)	m	25.7
20				Max. Shaft Power at max. impeller	kW	5.44	
21	Required pump NPSH	m		Efficiency	%		

Materials

22	Impeller	CF8M		
23	Casing	AISI 316		
24	Shaft	AISI 316L		
25				
26				
27				

Motor

28	Manufacturer	EPE Standard	Insulation class	F		
29	Type	TEFC_3M 65-125/5.56_380_Three Phase	Phases	3~		
30	Specific design	IE2 / 60 Hz / Pole pairs 1	Frame size			
31	Rated power	kW	5.5	Weight	kg	
32	Number of poles	2	Electric voltage	V	380	
33	Speed	rpm	3500	Electric current	A	10.1
34	Degree of protection	IP 55				
35						

Remarks

--

Performance Curve

Pump Name

3LM 65-125/5.56

Customer	Date	2024-06-20	Company
Contact	Item no.		Issued by
Phone	Project		Phone
E-mail	Project ID	Project redenumit 2024-06-20 10:03:09	E-mail

Requested data

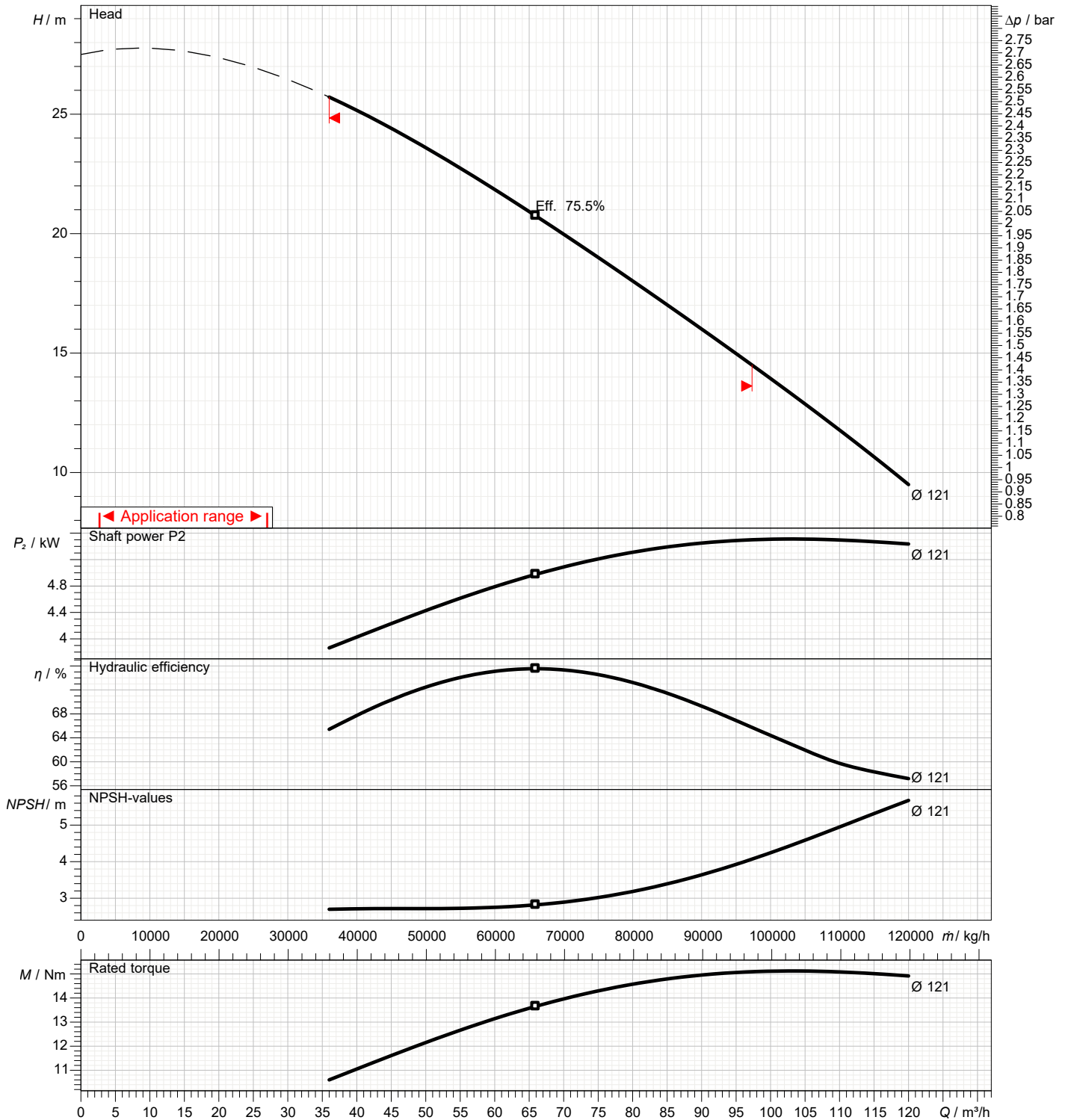
1	Flow	m³/h	
2	Head	m	
3	Geodetic head	m	

Pump

Operating flow	m³/h		Frequency	Hz	60
Operating head	m		Number of poles		2
Impeller diameter designed	mm	121	Speed	rpm	3480

Test standard: ISO 9906:2012 - Grade3B

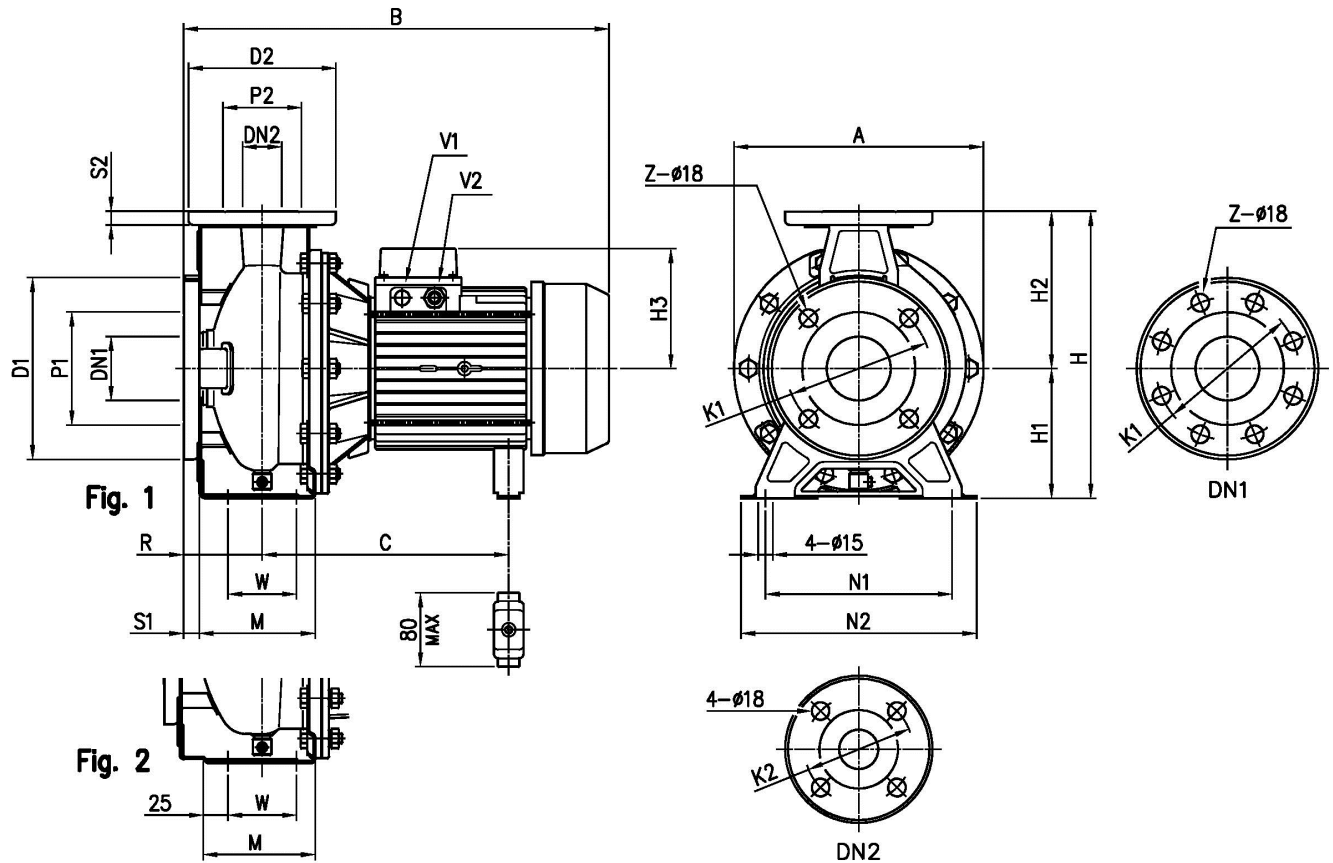
Water; 20°C; 998.3kg/m³; 1mm²/s



Dimensions

Pump Name 3LM 65-125/5.56

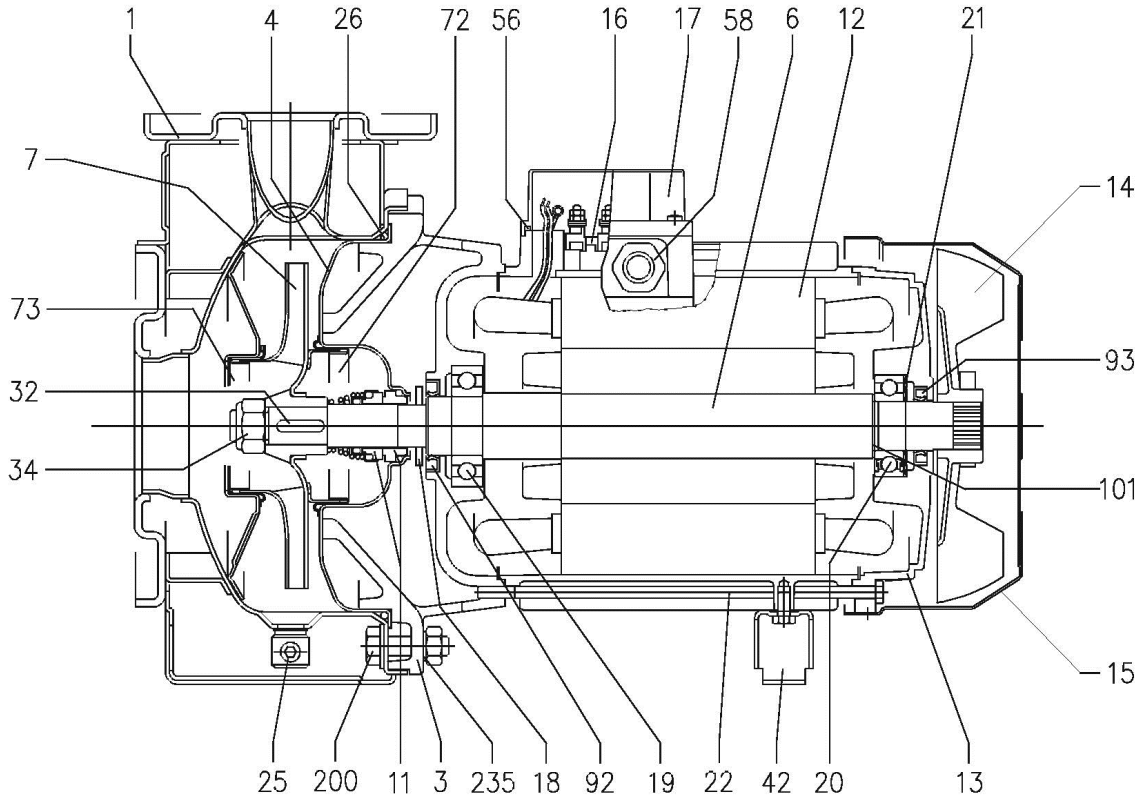
Customer	Date 2024-06-20	Company
Contact	Item no.	Issued by
Phone	Project	Phone
E-mail	Project ID Proiect redenumit 2024-06-20 10:03:09	E-mail



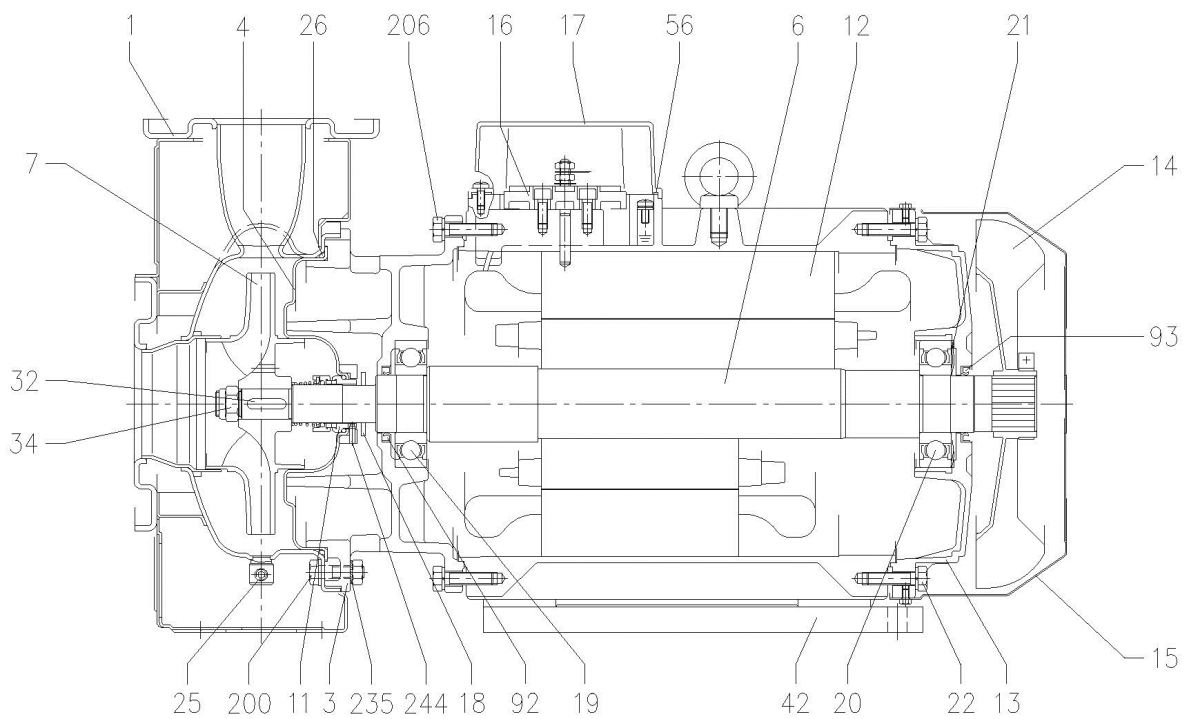
Dimensions in		mm						
1	A	254	H3	150				
2	B	539	M	140				
3	C	275	N1	212				
4	Dia D1	200	N2	280				
5	Dia D2	185	R	100				
6	Dia DN1	80	S1	18				
7	Dia DN2	65	S2	16				
8	Dia K1	160	V1	PG 13,5				
9	Dia K2	145	V2	PG 16				
10	Dia P1	134	W	95				
11	Dia P2	115	Weight P&M	52 kg				
12	Fig	2	Z	8				
13	H	340	Z option	4				
14	H1	160						
15	H2	180						

Customer	Date 2024-06-20	Company
Contact	Item no.	Issued by
Phone	Project	Phone
E-mail	Project ID Proiect redenumit 2024-06-20 10:03:09	E-mail

UP TO 11 kW



15 kW AND ABOVE



(2/3)

Construction

Pump Name 3LM 65-125/5.56

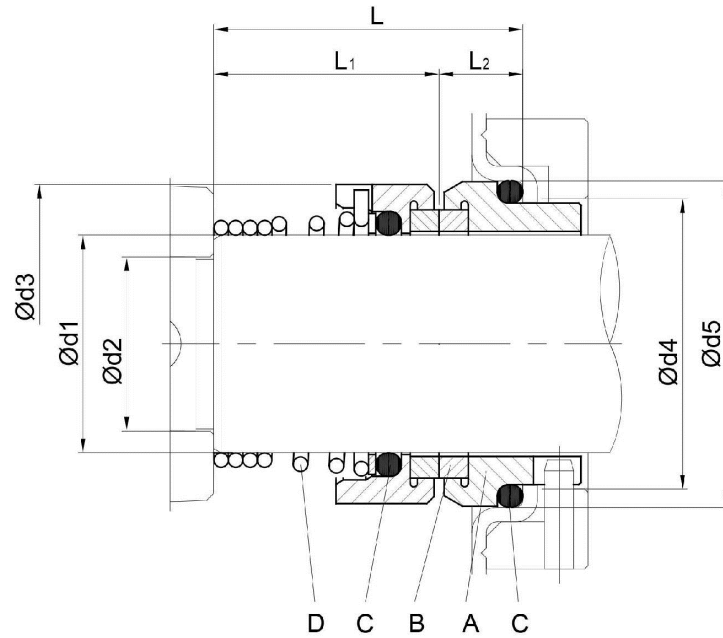
Customer	Date 2024-06-20	Company
Contact	Item no.	Issued by
Phone	Project	Phone
E-mail	Project ID Proiect redenumit 2024-06-20 10:03:09	E-mail

(3/3)

Construction

Pump Name 3LM 65-125/5.56

Customer	Date 2024-06-20	Company
Contact	Item no.	Issued by
Phone	Project	Phone
E-mail	Project ID Proiect redenumit 2024-06-20 10:03:09	E-mail



Version	Pump type	Dimensions [mm]							Material Standard				
		d1	d2	d3	d4	d5	L	L1	L2	A Stationary seal ring	B Rotary seal ring	C O-ring	D Frame + spring
L	32-125/160/200 40-125/160/200 50-125/160 65-125 65-160/7,56-9,26-116	22	19	36	31	37	37.5	27.5	9.5	SiC	SiC	FPM	EN 1.4401 (AISI 316)