

Technical Data

Pump Name

3LP 80-160/226

Customer	Date	2024-06-20	Company
Contact	Item no.		Issued by
Phone	Project		Phone
E-mail	Project ID	Proiect redenumit 2024-06-20 10:03:09	E-mail

Requested data

1	Pump type	CENTRIFUGAL PUMPS	Fluid	Water
2	Number of pumps / Reserve	1 / 0	Liquid temperature	°C
3	Flow	m³/h	Kin. viscosity	mm²/s
4	Head	m	Vapour pressure	bar
5	Geodetic head	m	PH value	
6	Inlet pressure (pin)	bar	Density	kg/m³
7	Available system NPSH		Solids	Weight %
8	Ambient temperature	°C		

Pump

9	Pump Name	3LP 80-160/226	Frequency	Hz	60	
10	Design	CENTRIFUGAL PUMPS	Installation type		STANDARD	
11	Manufacturer	EBARA	Impeller Diameter	Max.	mm	
12	Speed	rpm		3520	Designed	mm
13	No. of Stage	1		Min.	mm	157
14	Connection	Suction side	DIN 2532	Flow	Operating	m³/h
15	Connection	Discharge side	DIN 2532		Max-	m³/h
16	Max Working Pressure	bar	10		Min-	m³/h
17	Shut-off head	bar	4.36	Head	Operating	m
18	Total weight	kg	See the table of "Dimensions".		- (Qmax.)	m
19	Shaft power	kW			- (Qmin.)	m
20				Max. Shaft Power at max. impeller	kW	20.69
21	Required pump NPSH	m		Efficiency	%	

Materials

22	Impeller	CF8M		
23	Casing	CF8M		
24	Shaft	AISI 316L		
25				
26				
27				

Motor

28	Manufacturer	LAFERT	Insulation class	F	
29	Type	TEFC_3LP 80-160/226_460_Three Phase	Phases	3~	
30	Specific design	IE2 / 60 Hz / Pole pairs 1	Frame size		
31	Rated power	kW	22	Weight	kg
32	Number of poles	2	Electric voltage	V	460
33	Speed	rpm	3500	Electric current	A
34	Degree of protection	IP 55			
35					

Remarks

Performance Curve

Pump Name

3LP 80-160/226

Customer	Date	2024-06-20	Company
Contact	Item no.		Issued by
Phone	Project		Phone
E-mail	Project ID	Proiect redenumit 2024-06-20 10:03:09	E-mail

Requested data

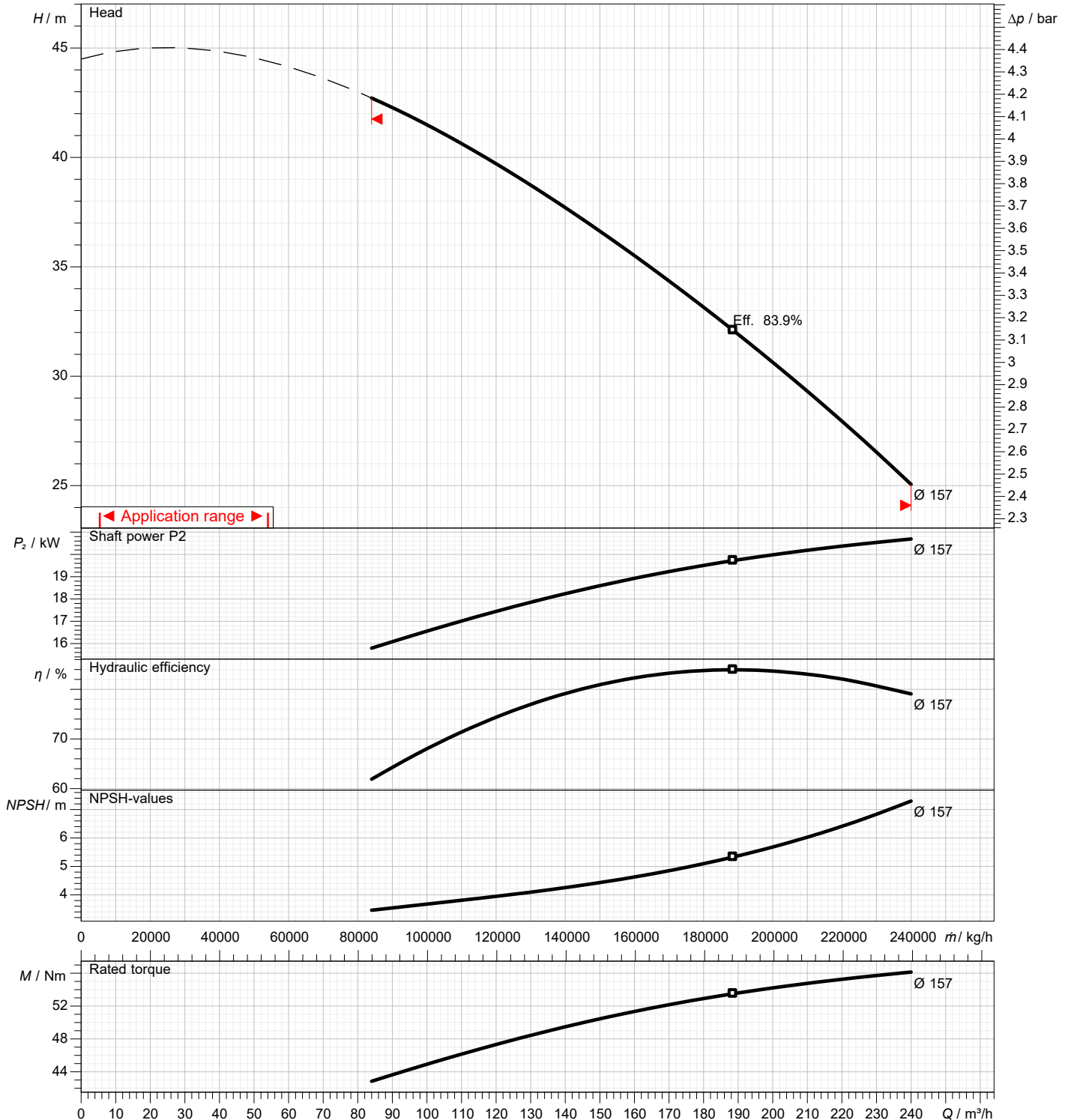
1	Flow	m³/h	
2	Head	m	
3	Geodetic head	m	

Pump

Operating flow	m³/h		Frequency	Hz	60
Operating head	m		Number of poles		2
Impeller diameter designed	mm	157	Speed	rpm	3520

Test standard: ISO 9906:2012 - Grade3B

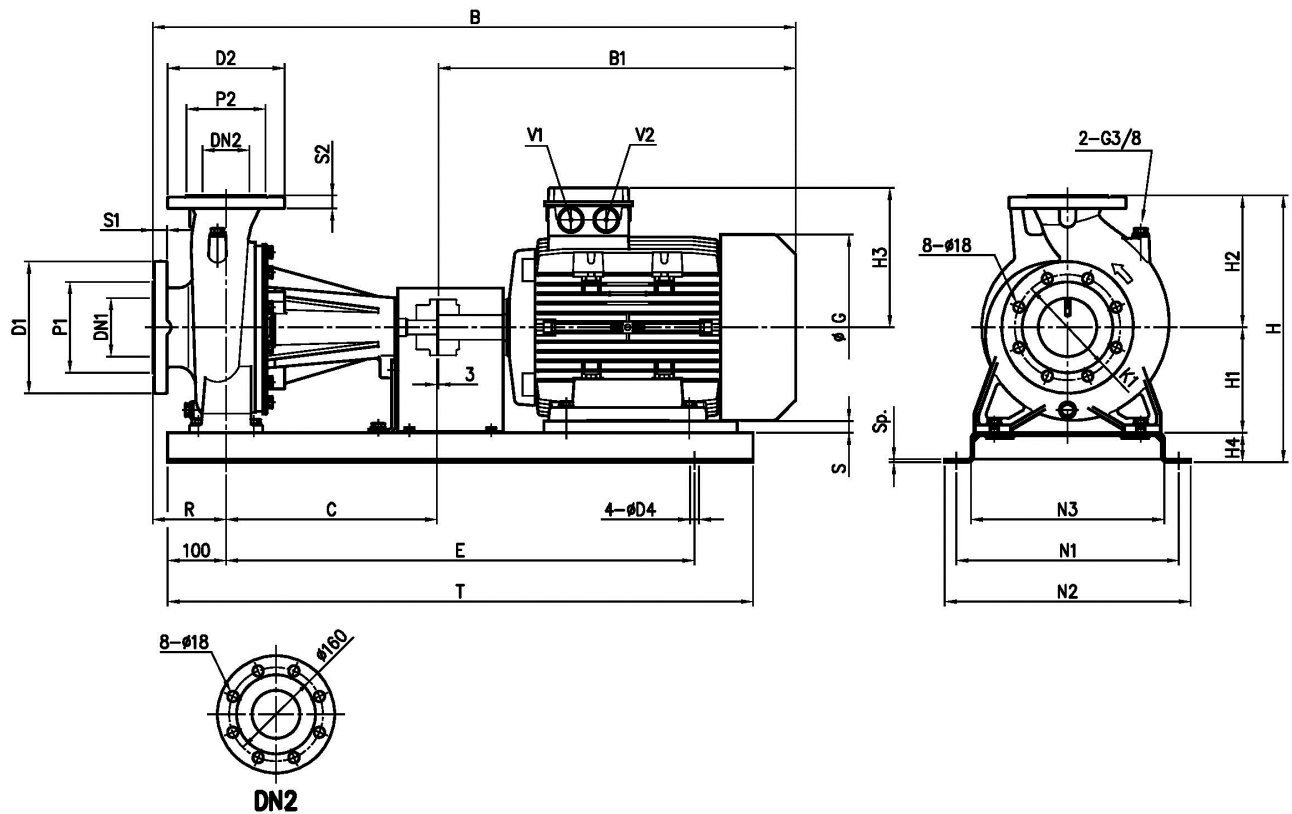
Water; 20°C; 998.3kg/m³; 1mm²/s



Dimensions

Pump name 3LP 80-160/226

Customer	Date 2024-06-20	Company
Contact	Item no.	Issued by
Phone	Project	Phone
E-mail	Project ID Proiect redenumit 2024-06-20 10:03:09	E-mail



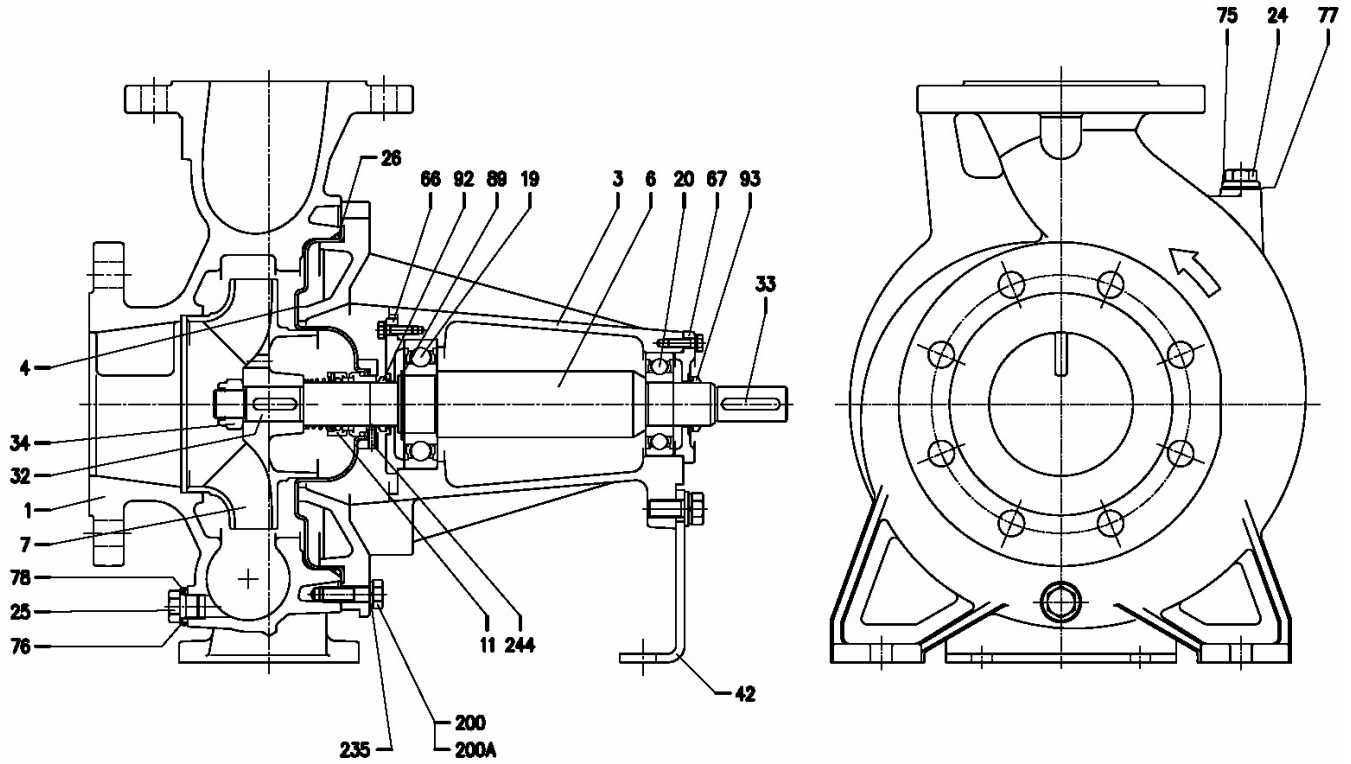
Dimensions in		mm					
1	B	1175	H3	268			
2	B1	687	H4	50			
3	C	360	N1	410			
4	D4	15	N2	450			
5	Dia D1	225	N3	360			
6	Dia D2	200	R	125			
7	Dia DN1	100	S1	24			
8	Dia DN2	80	S2	22			
9	Dia K1	180	Sp,	{K(I, Sp, = [P])}			
10	Dia P1	155	T	1000			
11	Dia P2	135	V1	M32x1,5			
12	E	800	V2	M32x1,5			
13	G	360	Weight P&M	250 kg			
14	H	455					
15	H1	180					

(1/4)

Construction

Pump name 3LP 80-160/226

Customer	Date 2024-06-20	Company
Contact	Item no.	Issued by
Phone	Project	Phone
E-mail	Project ID Proiect redenumit 2024-06-20 10:03:09	E-mail



(2/4)**Construction****Pump name 3LP 80-160/226**

Customer	Date 2024-06-20	Company
Contact	Item no.	Issued by
Phone	Project	Phone
E-mail	Project ID Proiect redenumit 2024-06-20 10:03:09	E-mail

N°	PART NAME	MATERIAL	DIMENSIONS	STANDARD	Q.TY
1	Casing	CF8M - EN 1.4408 (AISI 316)			1
3	Support	Cast iron EN-GJL-200-EN 1561			1
4	Casing cover	EN 1.4404 (AISI 316L)			1
6	Shaft	EN 1.4404 (AISI 316L) - Wet extension			1
6A	Flexible coupling [4]	Cast iron EN-GJL-250-EN 1561			1
7	Impeller	CF8M - EN 1.4408 (AISI 316)			1
11	Mechanical seal [3]	-			1
12	Motor	-			1
19	Bearing	-			1
20	Bearing [5]	-			1
24	Plug	EN 1.4404 (AISI 316L)	G3/8	EPE DRAWING	1
25	Plug	EN 1.4404 (AISI 316L)	G3/8	EPE DRAWING	1
26	O-ring [2]	FPM/EPDM	227.96x5.34	OR 6895	1
32	Key	EN 1.4401 (AISI 316)	8x7x30	UNI 6604	1
33	Key	C 40	8x7x40		1
34	Impeller nut	EN 1.4404 (AISI 316L)	M20x1.5	UNI 7474	1
42	Pump support	Zincate steel		EPE DRAWING	1
42A	Base	Zincate steel		EPE DRAWING	1
44	Protection	Zincate steel		EPE DRAWING	1
50	Foot	Aluminium		EPE DRAWING	2
50A	Spacer for pump	/			/
50B	Spacer for pump	/			/
50C	Spacer for protection	/			/
66	Impeller side bearing cover	Cast iron EN-GJL-200-EN 1561			1
67	Motor side bearing cover	Cast iron EN-GJL-200-EN 1561			1
75	Washer (plug)	EN 1.4404 (AISI 316L)			1
76	Washer (plug)				1
77	O-ring (plug)	FPM/EPDM			1
78	O-ring (plug) [2]				1
89	Snap ring	Carbon tool steels TC 80	Ø 40	UNI 7435	1
92	V-ring	-	VS-0030		1
93	V-ring				1
200	Screw	Stainless steel A2 70 class ISO 3506/1	M 10x35	UNI 5739	10
200A	Screw		M 10x30		2
235	Washer	EN 1.4301(AISI 304)	10.5	UNI 8842	12
244	Pin [1]	EN 1.4301(AISI 304)	4x15	UNI 6873	1

[1] Not for H, HW, HSW, E version.

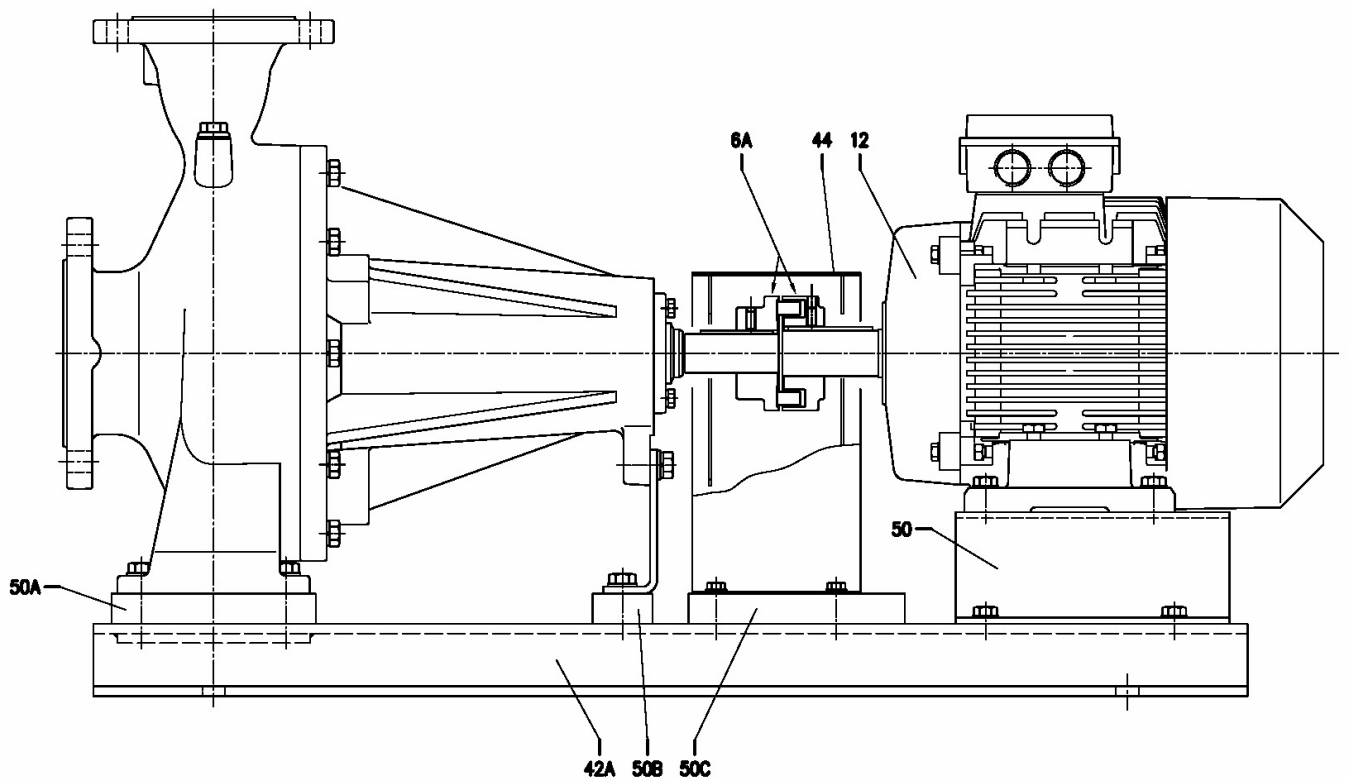
[2] See **MECHANICAL SEAL**, "O-ring" column, see CONSTRUCTION 3[3] See **MECHANICAL SEAL**, see CONSTRUCTION 3[4] See **FLEXIBLE COUPLING**, see CONSTRUCTION 3[5] See **BEARINGS**,

(3/4)

Construction

Pump name 3LP 80-160/226

Customer	Date 2024-06-20	Company
Contact	Item no.	Issued by
Phone	Project	Phone
E-mail	Project ID Proiect redenumit 2024-06-20 10:03:09	E-mail

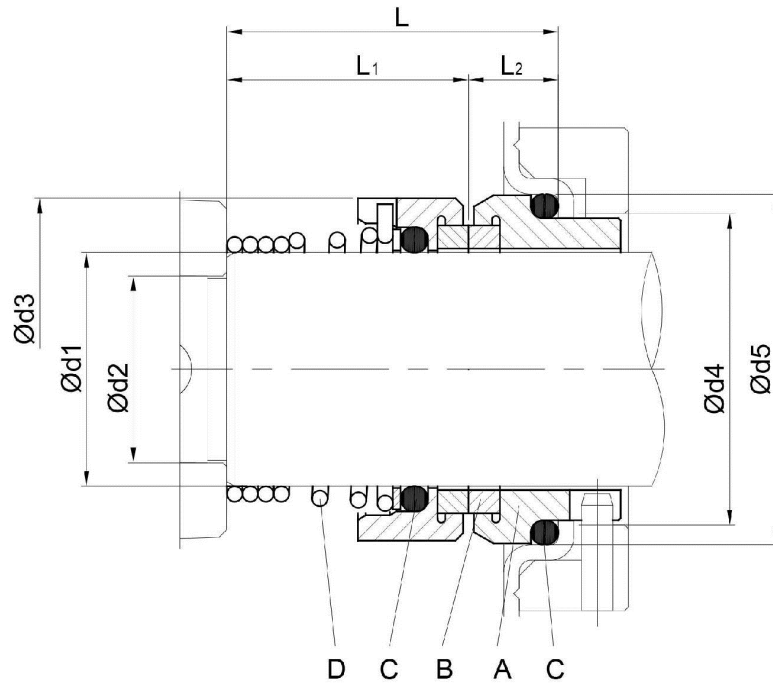


(4/4)

Construction

Pump name 3LP 80-160/226

Customer	Date 2024-06-20	Company
Contact	Item no.	Issued by
Phone	Project	Phone
E-mail	Project ID Proiect redenumit 2024-06-20 10:03:09	E-mail



Version	Pump type	Dimensions [mm]									Material Standard			
		d1	d2	d3	d4	d5	L	L1	L2	A Stationary seal ring	B Rotary seal ring	C O-ring	D Frame + spring	
L	65-160/156 65-200 65-250 80-160/200	30	24	44	39	45	42.5	31	11	SiC	SiC	FPM	EN 1.4401 (AISI 316)	