

Technical Data

Pump Name

3LSF 80-250/45

Customer	Date	10.06.2024	Company
Contact	Item no.		Issued by
Phone	Project		Phone
E-mail	Project ID		E-mail

Requested data

1	Pump type	CENTRIFUGAL PUMPS	Fluid	Water
2	Number of pumps / Reserve	1 / 0	Liquid temperature	°C
3	Flow	m³/h	Kin. viscosity	cSt
4	Head	m	Vapour pressure	kPa
5	Geodetic head	m	PH value	
6	Inlet pressure (pin)	kPa	Density	kg/m³
7	Available system NPSH		Solids	Weight %
8	Ambient temperature	°C		

Pump

9	Pump Name	3LSF 80-250/45	Frequency	Hz	50	
10	Design	CENTRIFUGAL PUMPS	Installation type		STANDARD	
11	Manufacturer	EBARA	Impeller Diameter	Max.	mm	
12	Speed	rpm		2900	Designed	mm
13	No. of Stage	1		Min.	mm	245
14	Connection	Suction side	DIN 2532	Flow	Operating	m³/h
15	Connection	Discharge side	DIN 2532		Max-	m³/h
16	Max Working Pressure	kPa	1000		Min-	m³/h
17	Shut-off head	kPa	822.20	Head	Operating	m
18	Total weight	kg	See the table of "Dimensions".		- (Qmax.)	m
19	Shaft power	kW			- (Qmin.)	m
20				Max. Shaft Power at max. impeller	kW	44.50
21	Required pump NPSH	m		Efficiency	%	

Materials

22	Impeller	AISI 316	
23	Casing	AISI 316	
24	Shaft	Duplex stainless steel	
25			
26			
27			

Motor

28	Manufacturer	without motor	Insulation class
29	Type	without motor 3	Phases
30	Specific design	without motor / 50 Hz / Pole pairs 1	Frame size
31	Rated power	kW	Weight
32	Number of poles	2	Electric voltage
33	Speed	rpm	Electric current
34	Degree of protection		
35			

Remarks

Performance Curve

Pump Name

3LSF 80-250/45

Customer	Date	10.06.2024	Company
Contact	Item no.		Issued by
Phone	Project		Phone
E-mail	Project ID		E-mail

Requested data

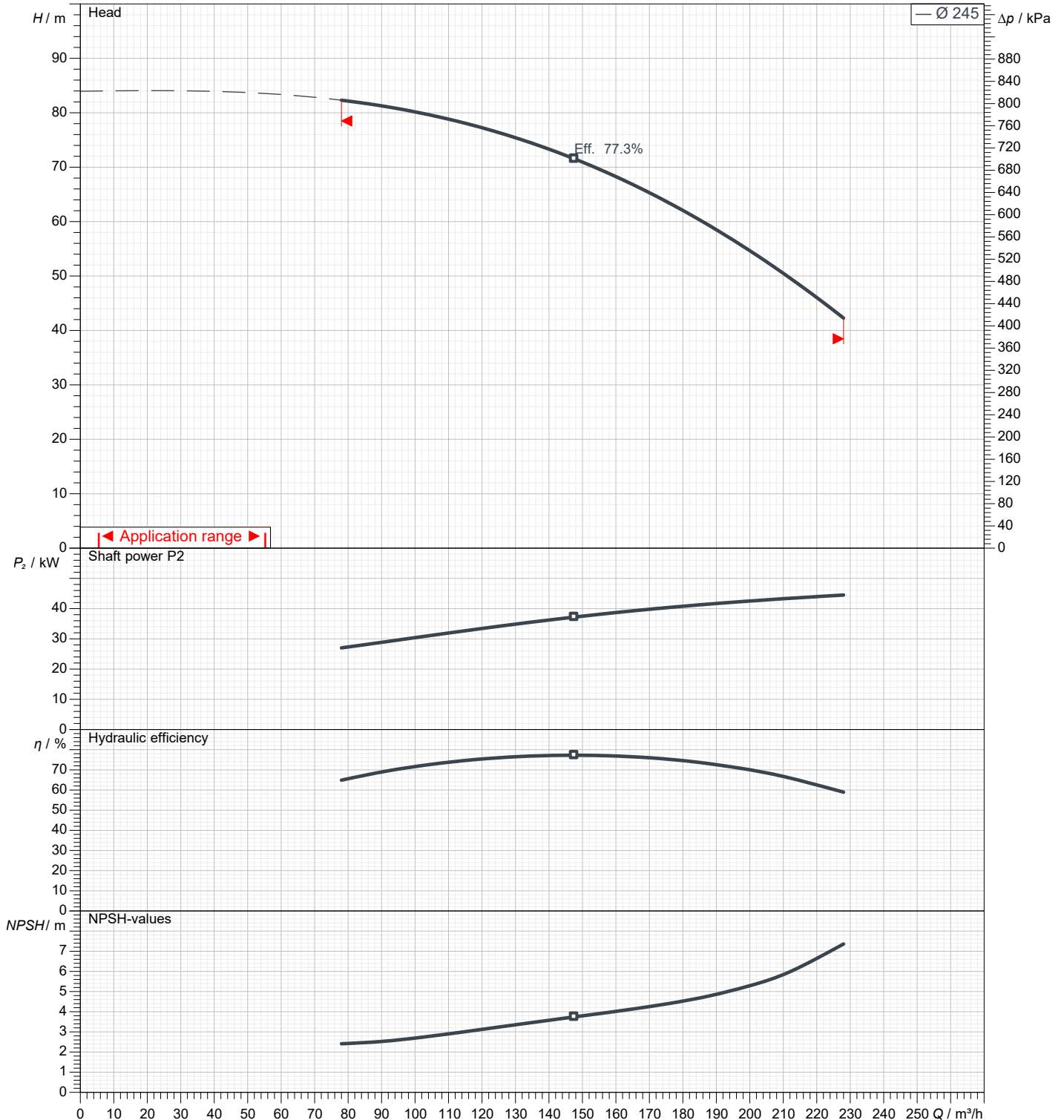
1	Flow	m³/h	
2	Head	m	
3	Geodetic head	m	

Pump

Operating flow	m³/h		Frequency	Hz	50
Operating head	m		Number of poles		2
Impeller diameter designed	mm	245	Speed	rpm	2900

Test standard: ISO 9906:2012 - Grade3B

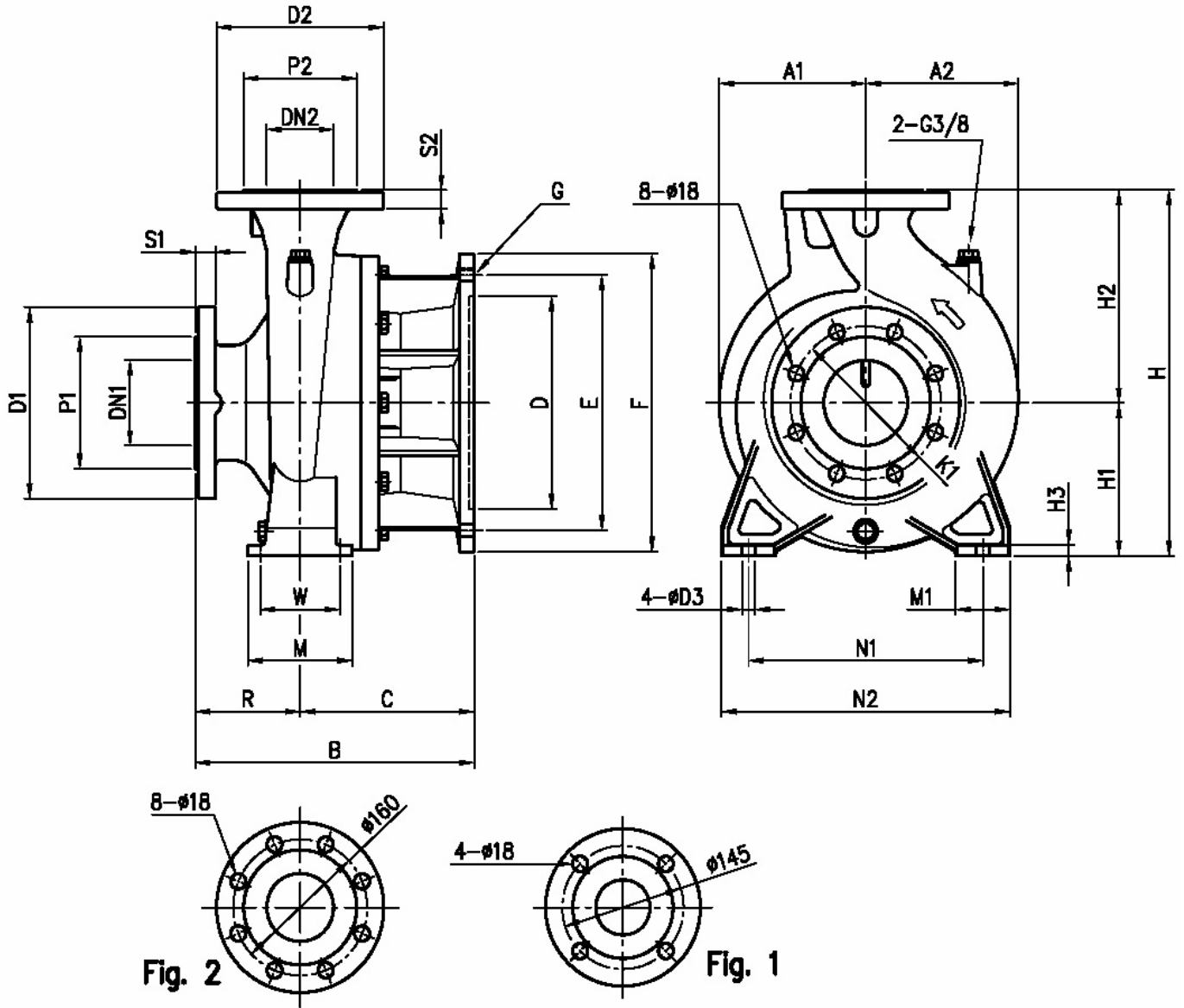
Water; 20°C; 998.3kg/m³; 1cSt



Dimensions

Pump Name 3LSF 80-250/45

Customer	Date 10.06.2024	Company
Contact	Item no.	Issued by
Phone	Project	Phone
E-mail	Project ID	E-mail



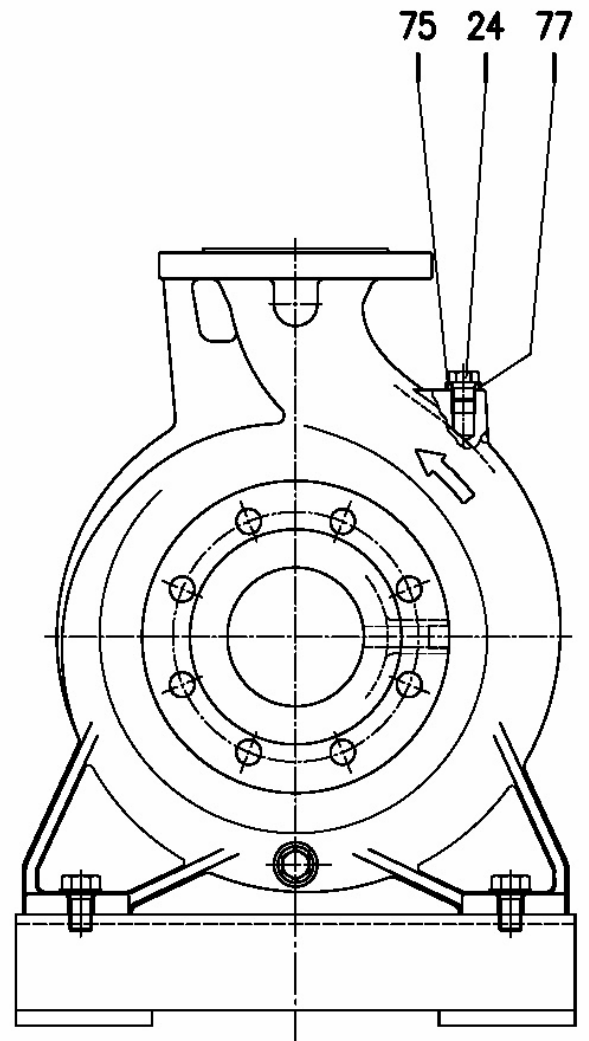
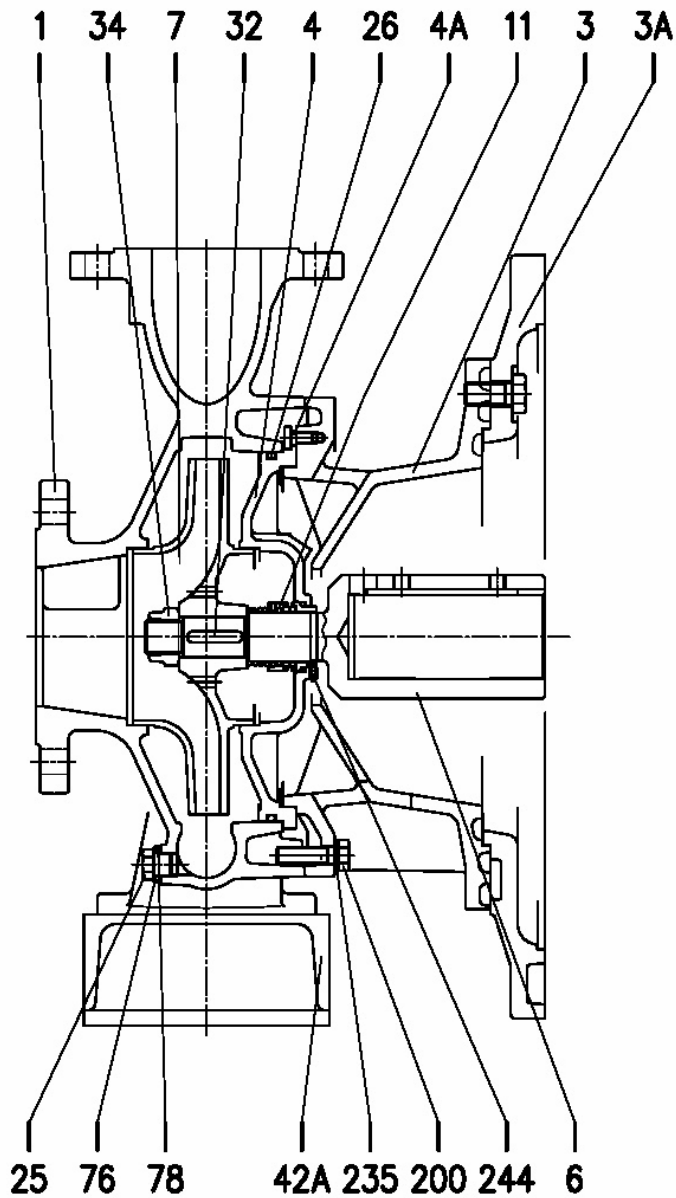
Dimensions in		mm	
1	A1	225	Fig 2
2	A2	225	G 8-M16
3	B	361	H 480
4	C	236	H1 200
5	D	350	H2 280
6	D3	19	H3 15
7	Dia D1	225	M 160
8	Dia D2	200	M1 80
9	Dia DN1	100	N1 315
10	Dia DN2	80	N2 400
11	Dia K1	180	R 125
12	Dia P1	155	S1 24
13	Dia P2	135	S2 22
14	E	400	W 120
15	F	450	Weight PUMP 88 kg

(1/3)

Construction

Pump Name 3LSF 80-250/45

Customer	Date 10.06.2024	Company
Contact	Item no.	Issued by
Phone	Project	Phone
E-mail	Project ID	E-mail



(2/3)

Construction

Pump Name 3LSF 80-250/45

Customer	Date	10.06.2024	Company
Contact	Item no.		Issued by
Phone	Project		Phone
E-mail	Project ID		E-mail

N°	PART NAME		MATERIAL	DIMENSIONS	STANDARD	Q.TY
1	Casing		EN 1.4401 (AISI 316)			1
3	Motor bracket		Cast iron EN-GJL-200-EN 1561			1
3A	Adapter ring		Cast iron EN-GJL-200-EN 1561			[1]
4	Casing cover		EN 1.4401 (AISI 316)			1
4A	Screw for casing cover		EN 1.4301(AISI 304)			2
6	65-250	d=24 mm	EN 1.4462 (Duplex stainless steel)			1
	80-200	d=24 mm	EN 1.4404 (AISI 316L) for 22 kW			
	80-250	d=29 mm	EN 1.4462 (Duplex stainless steel) for 30-37 kW			
7	Impeller		EN 1.4401 (AISI 316)			1
11	Mechanical seal [4]		SiC/SiC/FPM			1
24	Plug		EN 1.4404 (AISI 316L)	G3/8	EPE DRAWING	1
25	Plug		EN 1.4404 (AISI 316L)	G3/8	EPE DRAWING	1
26	"O" ring		FPM [5]	253.36x5.34	OR 6995	1
32	65-250	d=24 mm	EN 1.4401 (AISI 316)	8 x7x 30	UNI 6604	1
	80-200	d=29 mm		8x7x40		1
	80-250	d=29 mm				1
34	65-250	d=24 mm	EN 1.4404 (AISI 316L)	M20x1.5	UNI 7474	1
	80-200	d=24 mm				1
	80-250	d=29 mm		M24x2		1
042A	Foot for pump		Aluminium/zincked steel (only for 80-250/55)			[2]
75	Washer (plug)		EN 1.4404 (AISI 316L)			1
76	Washer (plug)					1
77	O-ring (plug)		FPM			1
78	O-ring (plug)		EPDM (E version)			1
200	Screw		Stainless steel A2-70 class ISO 3506/1	M 12x45	UNI 5739	10
235	Washer		EN 1.4301(AISI 304)	13	UNI 8842	10
244	Pin [3]		EN 1.4301(AISI 304)	4x12		1

[1] Only for 65-250/37, 80-200/37, 80-250/37, 80-250/45 and 80-250/55

[2] Q.TY=2 for 80-200/30 , 80-200/37 , 80-250/45
Q.TY=1 for 80-250/55

[3] Not for H and E version.

[4] Special version: see **CONSTRUCTION 3**

[5] FPM for H-HW-HSW version

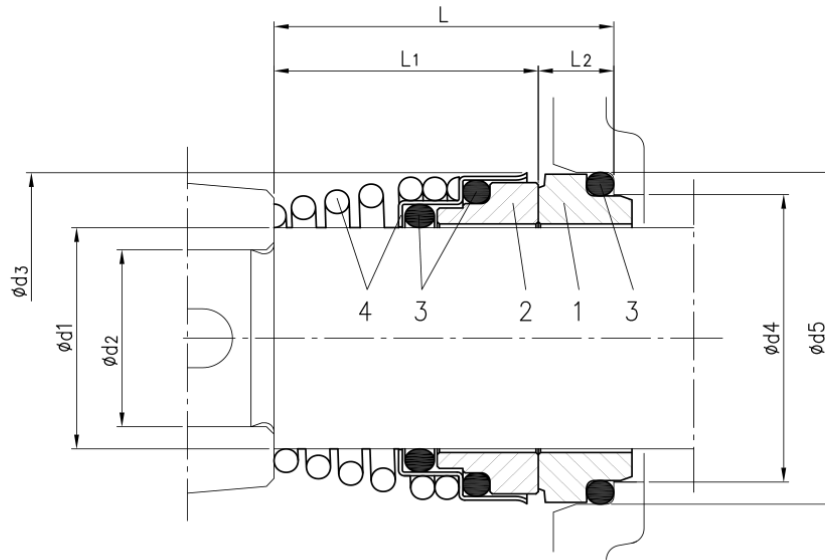
EPDM for E version 65-250 and 80-200: Q1Q1EGG, Q1U3EGG, U3CEGG, Q1AEGG EPDM
for ES only for 80-250 version

(3/3)

Construction

Pump Name 3LSF 80-250/45

Customer	Date 10.06.2024	Company
Contact	Item no.	Issued by
Phone	Project	Phone
E-mail	Project ID	E-mail



Version	Pump type	Dimensions									Material			
		d1	d2	d3	d4	d5	L	L1	L2	1 Stationary seal ring	2 Rotary seal ring	3 Rubber	4 Frame + spring	
L ø30	65-160/15 65-200/250 80-160/200	30	24	44	39	45	42.5	31	11.5	SiC	SiC	FPM	EN 1.4571 (AISI 316Ti)	
L ø35	80-250	35	29	49	44	50	42.5	31	11.5	SiC	SiC	FPM	EN 1.4571 (AISI 316Ti)	