

Technical Data

Pump Name

3LS 32-200/5.56

Customer	Date	2024-06-20	Company
Contact	Item no.		Issued by
Phone	Project		Phone
E-mail	Project ID	Proiect redenumit 2024-06-20 10:03:09	E-mail

Requested data

1	Pump type	CENTRIFUGAL PUMPS	Fluid	Water
2	Number of pumps / Reserve	1 / 0	Liquid temperature	°C 20
3	Flow m³/h		Kin. viscosity	mm²/s 1.005
4	Head m		Vapour pressure	bar 0.0234
5	Geodetic head m		PH value	
6	Inlet pressure (pin) bar	0	Density	kg/m³ 998.3
7	Available system NPSH		Solids Weight %	0
8	Ambient temperature °C	20		

Pump

9	Pump Name	3LS 32-200/5.56	Frequency	Hz 60
10	Design	CENTRIFUGAL PUMPS	Installation type	STANDARD
11	Manufacturer	EBARA	Impeller Diameter	Max. mm 186
12	Speed rpm	3480		Designed mm 186
13	No. of Stage	1		Min. mm 186
14	Connection Suction side	DIN 2532	Flow	Operating m³/h
15	Connection Discharge side	DIN 2532		Max- m³/h 24
16	Max Working Pressure bar	10		Min- m³/h 6
17	Shut-off head bar	6.32	Head	Operating m
18	Total weight kg	See the table of "Dimensions".		- (Qmax.) m 44.0
19	Shaft power kW			- (Qmin.) m 62.5
20			Max. Shaft Power at max. impeller	kW 5.25
21	Required pump NPSH m		Efficiency	%

Materials

22	Impeller	AISI 316L	
23	Casing	AISI 316L	
24	Shaft	AISI 316L	
25			
26			
27			

Motor

28	Manufacturer	LAFERT	Insulation class	F
29	Type	TEFC_3S 32-200/5.56_460_Three Phase	Phases	3~
30	Specific design	IE2 / 60 Hz / Pole pairs 1	Frame size	
31	Rated power kW	5.5	Weight	kg
32	Number of poles	2	Electric voltage	V 460
33	Speed rpm	3500	Electric current	A 8.6
34	Degree of protection	IP 55		
35				

Remarks

Performance Curve

Pump Name

3LS 32-200/5.56

Customer	Date	2024-06-20	Company
Contact	Item no.		Issued by
Phone	Project		Phone
E-mail	Project ID	Proiect redenumit 2024-06-20 10:03:09	E-mail

Requested data

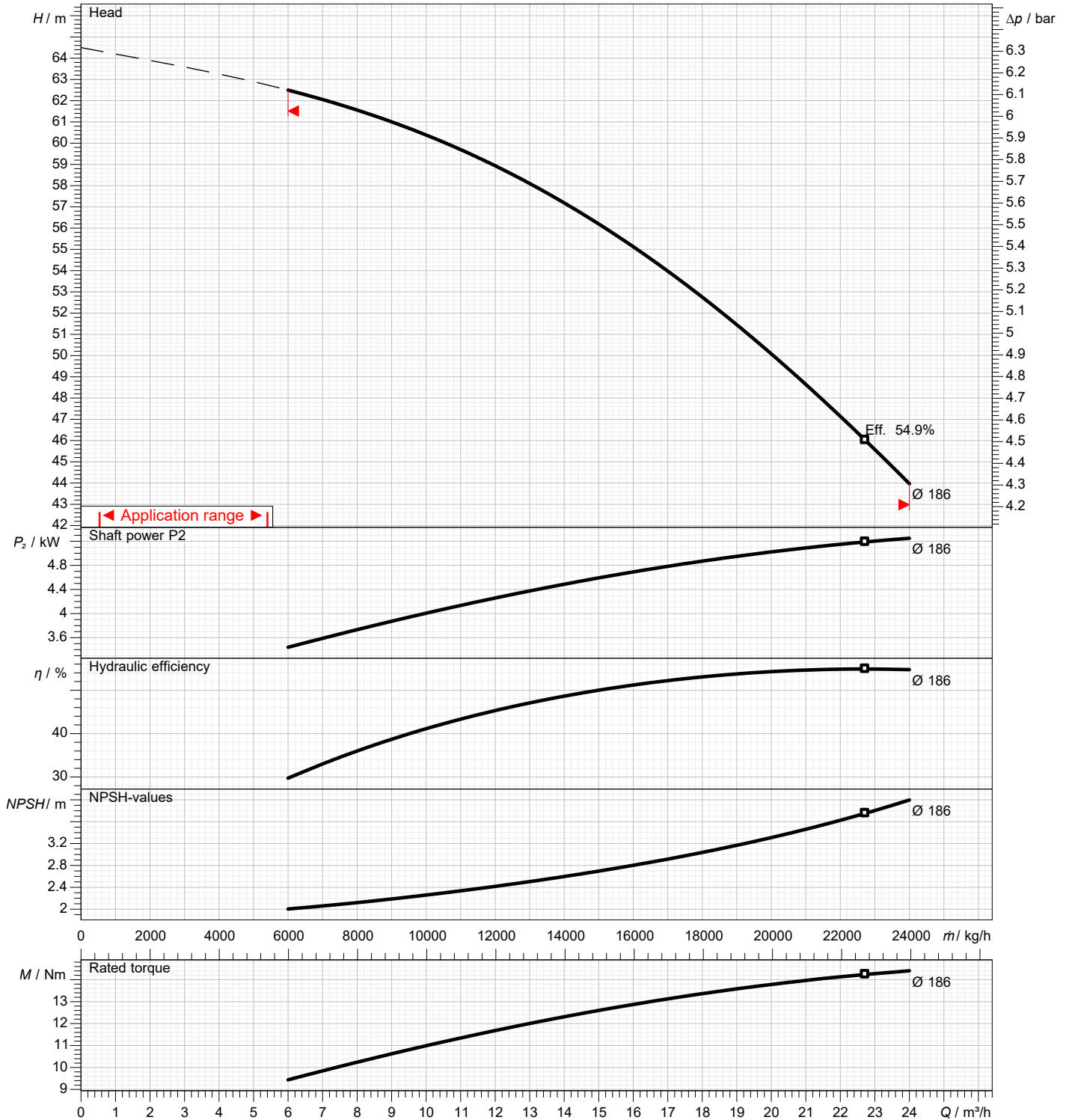
1	Flow	m³/h	
2	Head	m	
3	Geodetic head	m	

Pump

Operating flow	m³/h		Frequency	Hz	60
Operating head	m		Number of poles		2
Impeller diameter designed	mm	186	Speed	rpm	3480

Test standard: ISO 9906:2012 - Grade3B

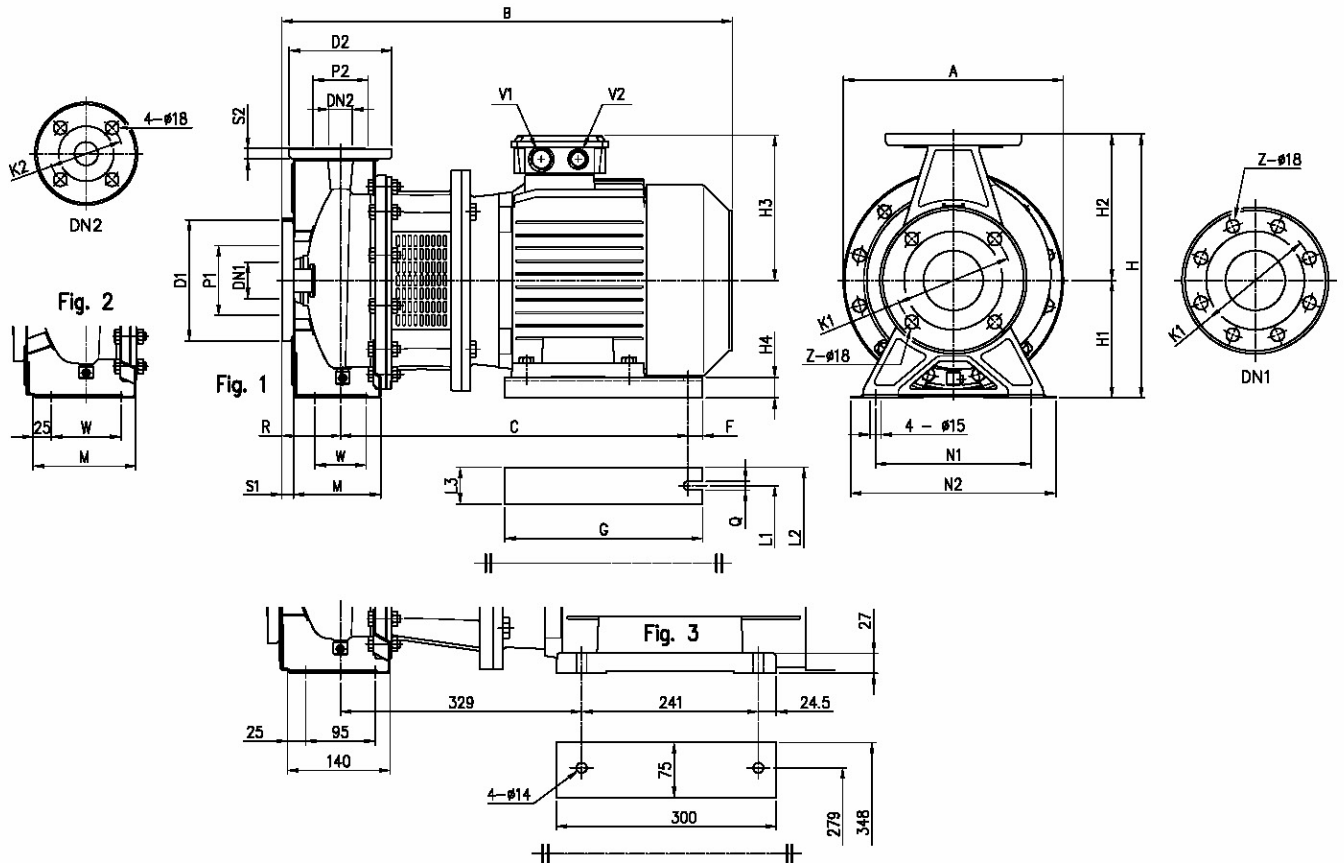
Water; 20°C; 998.3kg/m³; 1mm²/s



Dimensions

Pump Name 3LS 32-200/5.56

Customer	Date 2024-06-20	Company
Contact	Item no.	Issued by
Phone	Project	Phone
E-mail	Project ID Proiect redenumit 2024-06-20 10:03:09	E-mail



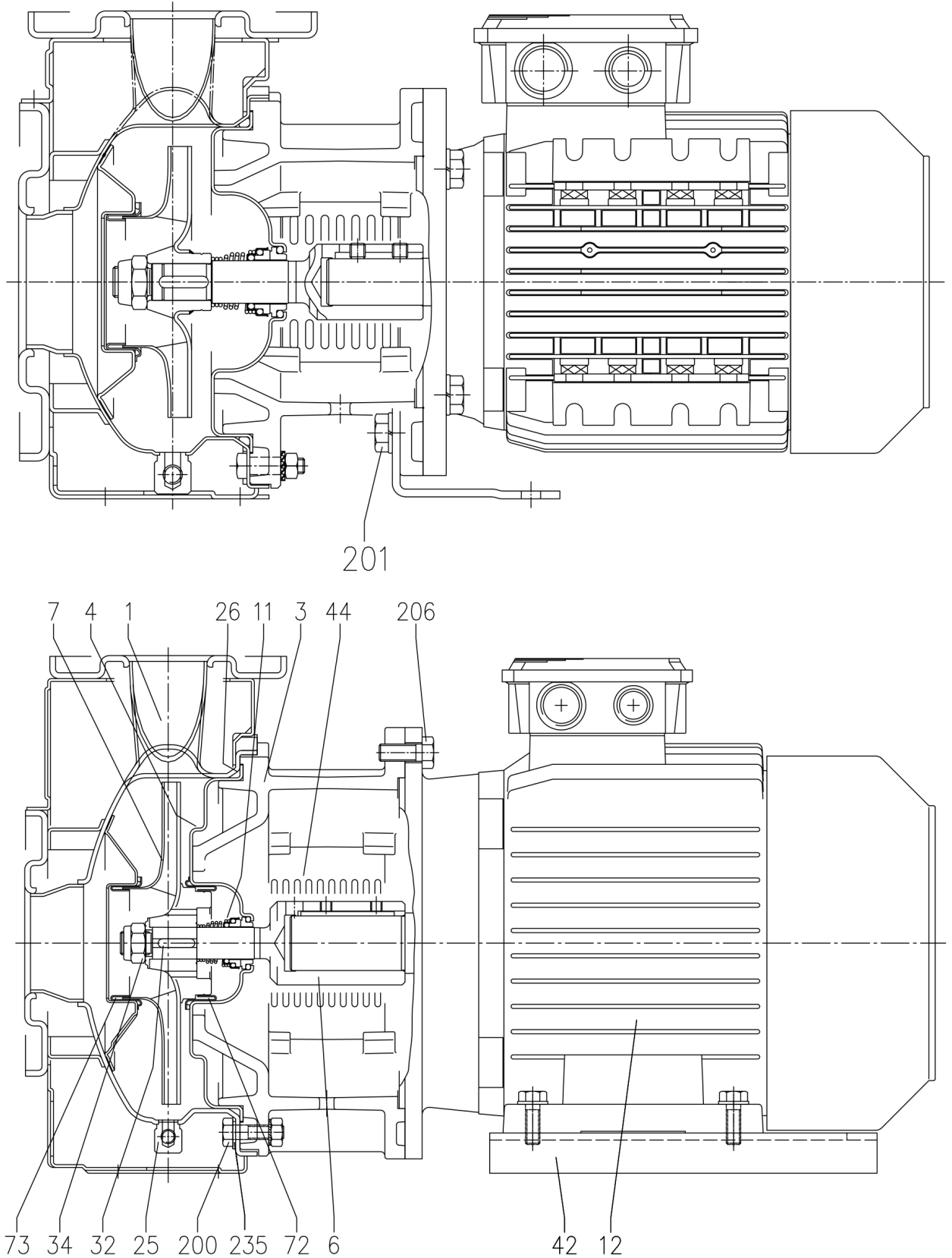
Dimensions in		mm						
1	A	300	H1	160	V2	M32x1,5		
2	B	607	H2	180	W	70		
3	C	479	H3	198	Weight P&M	71,8 kg		
4	Dia D1	165	H4	28	Z	4		
5	Dia D2	140	L1	216				
6	Dia DN1	50	L2	266				
7	Dia DN2	32	L3	50				
8	Dia K1	125	M	119				
9	Dia K2	100	N1	190				
10	Dia P1	95	N2	240				
11	Dia P2	75	Q	12				
12	F	15	R	80				
13	Fig	1	S1	16				
14	G	270	S2	14				
15	H	340	V1	M32x1,5				

(1/3)

Construction

Pump Name 3LS 32-200/5.56

Customer	Date 2024-06-20	Company
Contact	Item no.	Issued by
Phone	Project	Phone
E-mail	Project ID Proiect redenumit 2024-06-20 10:03:09	E-mail



(2/3)

Construction

Pump Name 3LS 32-200/5.56

Customer	Date 2024-06-20	Company
Contact	Item no.	Issued by
Phone	Project	Phone
E-mail	Project ID Proiect redenumit 2024-06-20 10:03:09	E-mail

N°	PART NAME	MATERIAL		DIMENSIONS	STANDARD	Q.TY
		3S	3LS			
1	Casing	EN 1.4301 (AISI 304)	EN 1.4404 (AISI 316L)			1
3	Motor bracket	Cast iron EN-GJL-200-EN 1561				1
4	Casing cover	EN 1.4301 (AISI 304)	EN 1.4404 (AISI 316L)			1
6	Coupling - Part in contact with liquid	EN 1.4301 (AISI 304)	EN 1.4404 (AISI 316L)			1
7	Impeller	EN 1.4301 (AISI 304)	EN 1.4404 (AISI 316L)			1
11	Mechanical seal [4]	-	-			1
12	Motor	-				1
25	Drain plug	EN 1.4401 (AISI 316) / PTFE		R 1/8" L=8	DIN 906	1
26	O-ring [5]	NBR/FPM/EPDM	FPM/EPDM	158.11x5.34	OR 6625	1
				183.52x5.34	OR 6720	
				227.96x5.34	OR 6895	
32	Key	EN 1.4401 (AISI 316)		6x6x25	UNI 6604	1
	Up to 11 kW			8x7x30		
34	Impeller nut	EN 1.4301 (AISI 304)	EN 1.4404 (AISI 316L)	M16x1.5	UNI 7474	1
	Up to 11kW			M20x1.5		
42	Foot	Aluminium / Zinc-coated steel				1
44	Protection	EN 1.4301 (AISI 304)			EBARA DRAWING	1
72	Casing ring [1]	EN 1.4301 (AISI 304)	EN 1.4404 (AISI 316L)			1
73	Casing ring	EN 1.4301 (AISI 304)	EN 1.4404 (AISI 316L)			1
200	Screw	Stainless steel A2 70 class ISO 3506/1		M8x30	UNI 5739	8
				M10x35	UNI 5739	
201	Screw	Zn. Steel 8.8 strenght class ISO 898/1		M10x16	UNI 5739	[3]
206	Screw for bracket	Zn. Steel 8.8 strenght class ISO 898/1		M10x40	UNI 5739	4
235	Washer	Stainless steel A2 70 class ISO 3506/1		M8.4x17	UNI 6592	8
				M10.5x21	UNI 6592	

[1] Only for version 32-200, 40-200, 50-160

[2] Quantity = 10 for 32-160, 40-160, 50-125

Quantity = 12 for 32-200, 40-200, 50-160

[3] Only for version 32-125, 32-160, 40-125

[4] See **CONSTRUCTION 3**

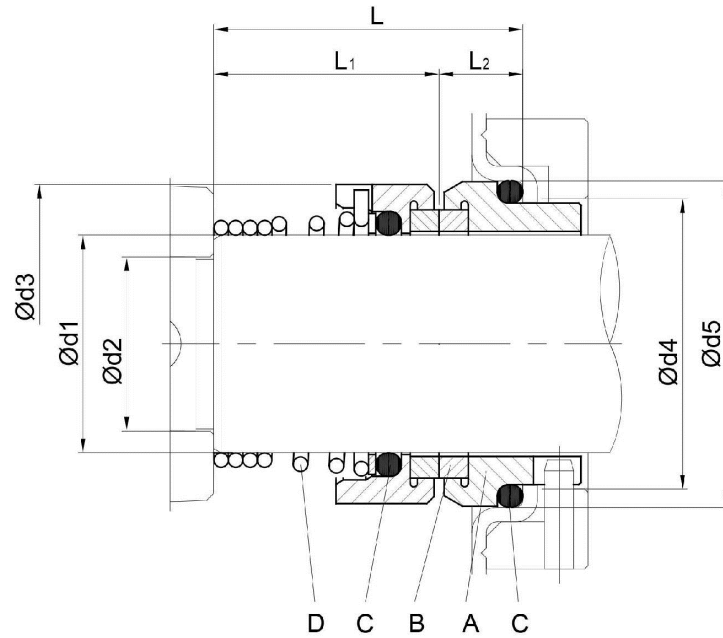
[5] See **CONSTRUCTION 3**, "O-ring" column

(3/3)

Construction

Pump Name 3LS 32-200/5.56

Customer	Date 2024-06-20	Company
Contact	Item no.	Issued by
Phone	Project	Phone
E-mail	Project ID Proiect redenumit 2024-06-20 10:03:09	E-mail



Version	Pump type	Dimensions [mm]							Material Standard				
		d1	d2	d3	d4	d5	L	L1	L2	A Stationary seal ring	B Rotary seal ring	C O-ring	D Frame + spring
L	32-125/160/200 40-125/160/200 50-125/160 65-125 65-160/7,56-9,26-116	22	19	36	31	37	37.5	27.5	9.5	SiC	SiC	FPM	EN 1.4401 (AISI 316)