

Technical Data

Pump Name

3PF4 65-125/L

| | | | |
|----------|------------|---------------------------------------|-----------|
| Customer | Date | 2024-06-12 | Company |
| Contact | Item no. | | Issued by |
| Phone | Project | | Phone |
| E-mail | Project ID | Proiect redenumit 2024-06-12 12:10:37 | E-mail |

Requested data

| | | | | |
|---|---------------------------|-------------------|--------------------|----------|
| 1 | Pump type | CENTRIFUGAL PUMPS | Fluid | Water |
| 2 | Number of pumps / Reserve | 1 / 0 | Liquid temperature | °C |
| 3 | Flow | m³/h | Kin. viscosity | mm²/s |
| 4 | Head | m | Vapour pressure | bar |
| 5 | Geodetic head | m | PH value | |
| 6 | Inlet pressure (pin) | bar | Density | kg/m³ |
| 7 | Available system NPSH | | Solids | Weight % |
| 8 | Ambient temperature | °C | | |

Pump

| | | | | | | |
|----|----------------------|-------------------|--------------------------------|-----------------------------------|-----------|------|
| 9 | Pump Name | 3PF4 65-125/L | Frequency | Hz | 50 | |
| 10 | Design | CENTRIFUGAL PUMPS | Installation type | | STANDARD | |
| 11 | Manufacturer | EBARA | Impeller Diameter | Max. | mm | |
| 12 | Speed | rpm | | 1400 | Designed | mm |
| 13 | No. of Stage | | | 1 | Min. | mm |
| 14 | Connection | Suction side | DIN 2532 | Flow | Operating | |
| 15 | Connection | Discharge side | DIN 2532 | | Max- | m³/h |
| 16 | Max Working Pressure | bar | 10 | | Min- | m³/h |
| 17 | Shut-off head | bar | 0.75 | Head | Operating | |
| 18 | Total weight | kg | See the table of "Dimensions". | | - (Qmax.) | m |
| 19 | Shaft power | kW | | | - (Qmin.) | m |
| 20 | | | | Max. Shaft Power at max. impeller | kW | |
| 21 | Required pump NPSH | m | | Efficiency | % | |

Materials

| | | | |
|----|----------|----------|--|
| 22 | Impeller | AISI 316 | |
| 23 | Casing | AISI 304 | |
| 24 | Shaft | AISI 304 | |
| 25 | | | |
| 26 | | | |
| 27 | | | |

Motor

| | | | |
|----|----------------------|--------------------------------------|------------------|
| 28 | Manufacturer | without motor | Insulation class |
| 29 | Type | without motor 3 | Phases |
| 30 | Specific design | without motor / 50 Hz / Pole pairs 2 | Frame size |
| 31 | Rated power | kW | Weight |
| 32 | Number of poles | 4 | Electric voltage |
| 33 | Speed | rpm | Electric current |
| 34 | Degree of protection | | |
| 35 | | | |

Remarks

Performance Curve

Pump Name

3PF4 65-125/L

| | | | |
|----------|------------|---------------------------------------|-----------|
| Customer | Date | 2024-06-12 | Company |
| Contact | Item no. | | Issued by |
| Phone | Project | | Phone |
| E-mail | Project ID | Project redenumit 2024-06-12 12:10:37 | E-mail |

Requested data

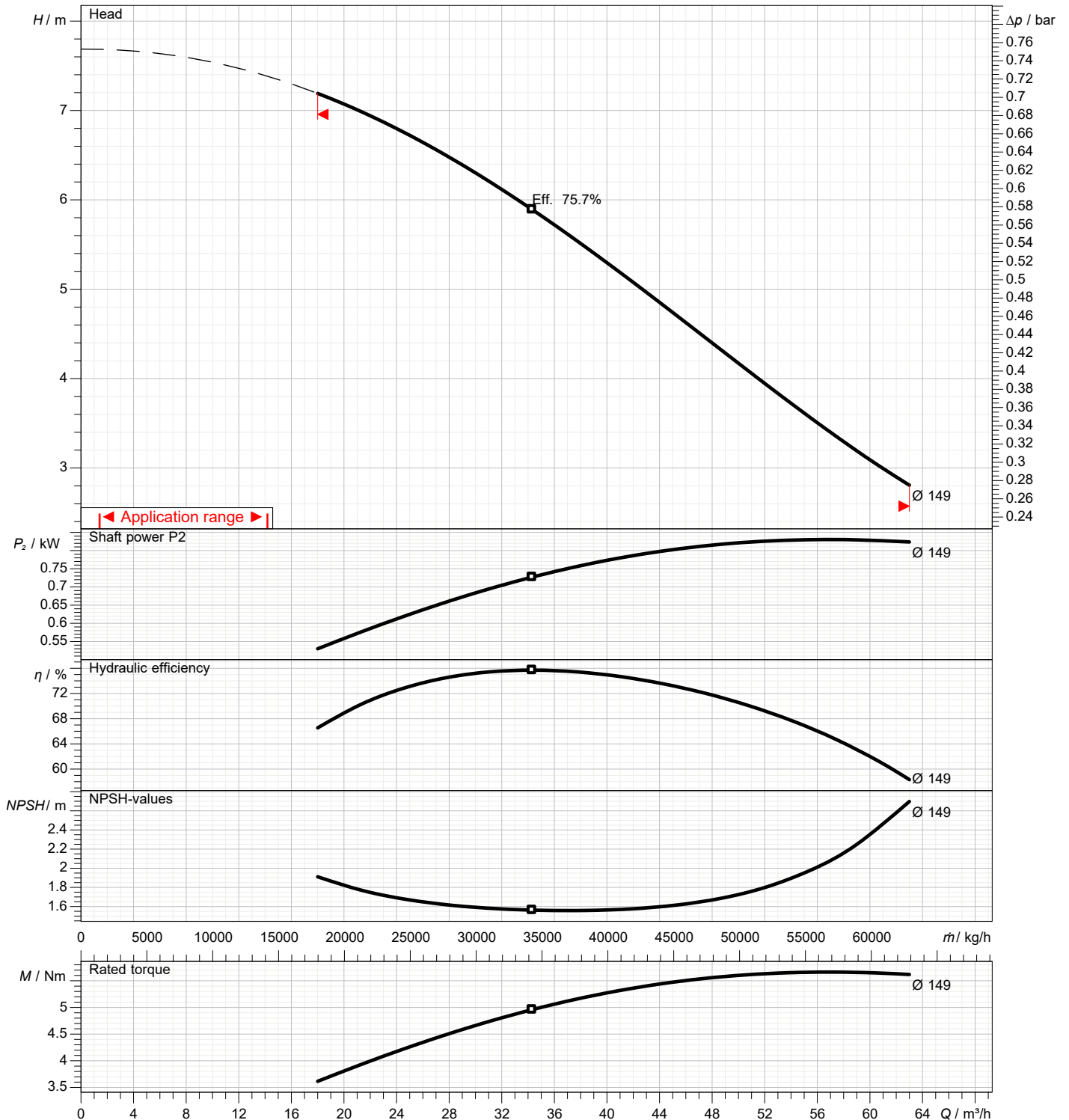
| | | | |
|---|---------------|------|--|
| 1 | Flow | m³/h | |
| 2 | Head | m | |
| 3 | Geodetic head | m | |

Pump

| | | | | | |
|----------------------------|------|-----|-----------------|-----|------|
| Operating flow | m³/h | | Frequency | Hz | 50 |
| Operating head | m | | Number of poles | | 4 |
| Impeller diameter designed | mm | 149 | Speed | rpm | 1400 |

Test standard: ISO 9906:2012 - Grade3B

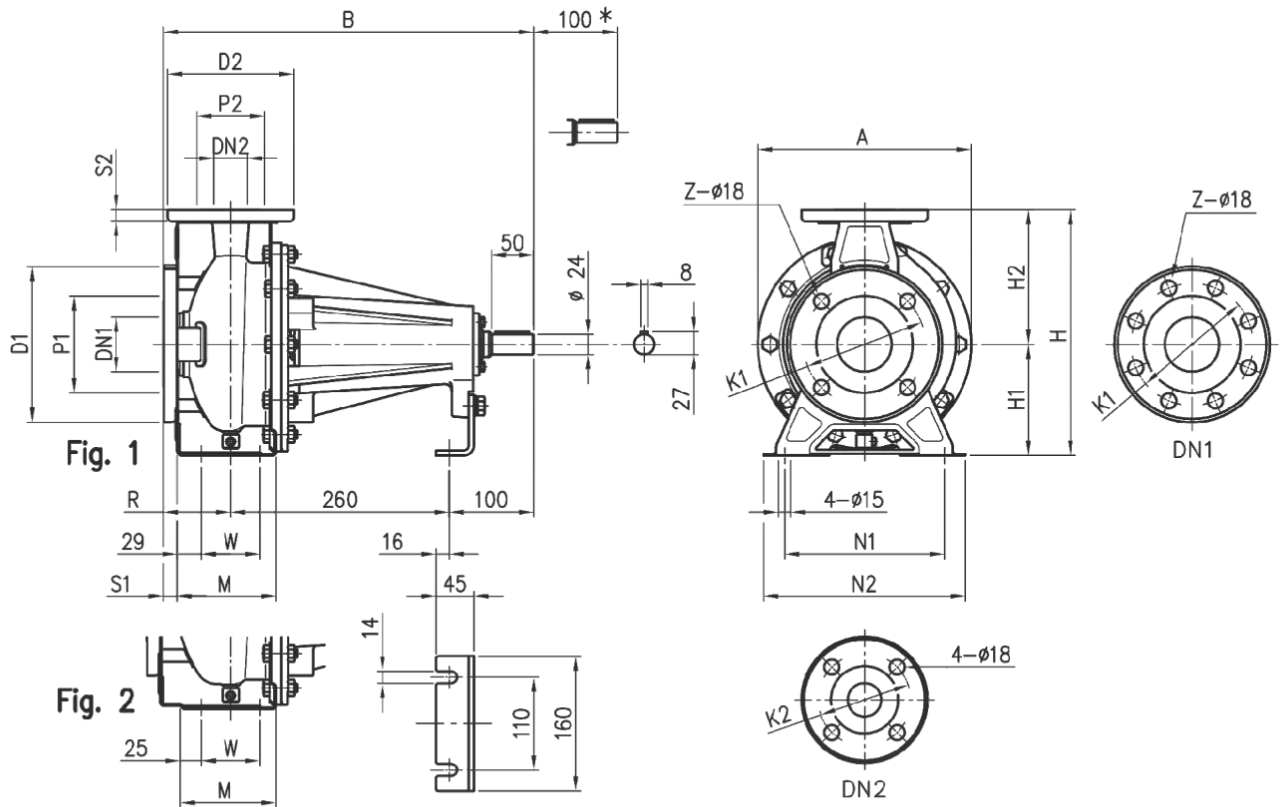
Water; 20°C; 998.3kg/m³; 1mm²/s



Dimensions

Pump Name 3PF4 65-125/L

| | | |
|----------|--|-----------|
| Customer | Date 2024-06-12 | Company |
| Contact | Item no. | Issued by |
| Phone | Project | Phone |
| E-mail | Project ID Proiect redenumit 2024-06-12 12:10:37 | E-mail |



* Space for disassembly

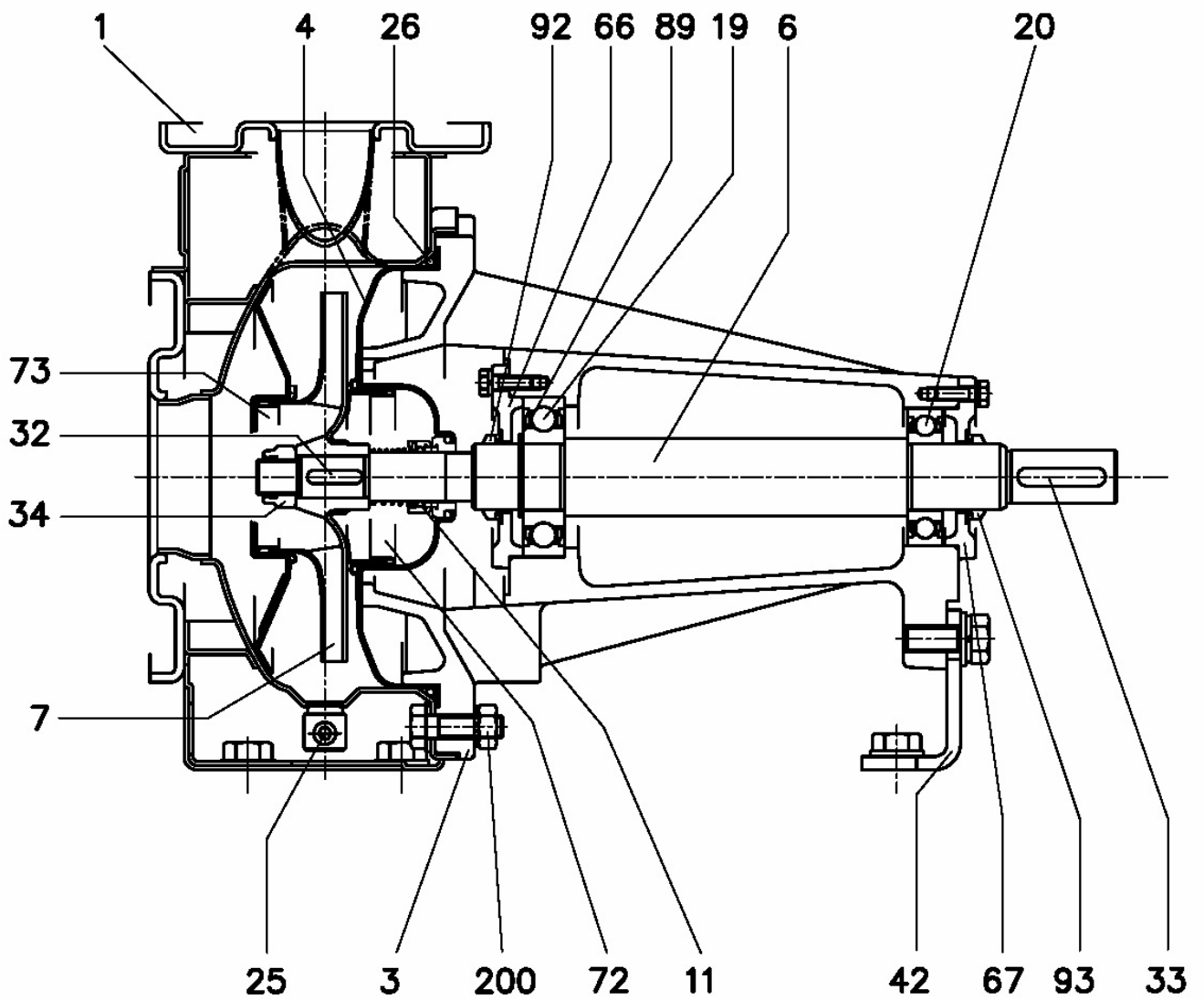
| Dimensions in | | mm | | |
|---------------|---------|-----|-------------|-------|
| 1 | A | 254 | N1 | 212 |
| 2 | B | 460 | N2 | 280 |
| 3 | Dia D1 | 200 | R | 100 |
| 4 | Dia D2 | 185 | S1 | 18 |
| 5 | Dia DN1 | 80 | S2 | 16 |
| 6 | Dia DN2 | 65 | W | 95 |
| 7 | Dia K1 | 160 | Weight PUMP | 28 kg |
| 8 | Dia K2 | 145 | Z | 8 |
| 9 | Dia P1 | 134 | Z option | 4 |
| 10 | Dia P2 | 115 | | |
| 11 | Fig | 2 | | |
| 12 | H | 340 | | |
| 13 | H1 | 160 | | |
| 14 | H2 | 180 | | |
| 15 | M | 140 | | |

(1/3)

Construction

Pump Name 3PF4 65-125/L

| | | |
|----------|--|-----------|
| Customer | Date 2024-06-12 | Company |
| Contact | Item no. | Issued by |
| Phone | Project | Phone |
| E-mail | Project ID Proiect redenumit 2024-06-12 12:10:37 | E-mail |



(2/3)

Construction

Pump Name 3PF4 65-125/L

| | | | |
|----------|------------|---------------------------------------|-----------|
| Customer | Date | 2024-06-12 | Company |
| Contact | Item no. | | Issued by |
| Phone | Project | | Phone |
| E-mail | Project ID | Proiect redenumit 2024-06-12 12:10:37 | E-mail |

| N° | PART NAME | MATERIAL | | DIMENSIONS | STANDARD | Q.TY | | |
|-----|---|--|-----------------------|--------------------|---|-------------------------------|---|---|
| | | 3PF(4) | 3LPF(4) | | | | | |
| 1 | Casing | EN 1.4301 (AISI 304) | EN 1.4404 (AISI 316L) | | | 1 | | |
| 3 | Support | Cast iron EN-GJL-200-EN 1561 | | | | 1 | | |
| 4 | Casing cover | EN 1.4301 (AISI 304) | EN 1.4404 (AISI 316L) | | | 1 | | |
| 6 | Shaft - Part in contact with liquid | EN 1.4301 (AISI 304) | EN 1.4404 (AISI 316L) | | | 1 | | |
| 7 | Impeller 32-40-50 65-125/160/200 | EN 1.4301 (AISI 304) | EN 1.4404 (AISI 316L) | | | 1 | | |
| | | EN 1.4401 (AISI 316) | | | | | | |
| 11 | Mechanical seal [3] | Carbon/Ceramic/NBR | SiC/SiC/FPM | | | 1 | | |
| 19 | Bearing | - | | | | 1 | | |
| 20 | Bearing | - | | | | 1 | | |
| 25 | Draining plug | EN 1.4401 (AISI 316) / PTFE | | R 1/8" L=8 | DIN 906 | 1 | | |
| 26 | O ring 32-125, 40-125 32-160, 40-160, 50-125, 65-125 32-200, 40-200, 50-160, 50-200, 65-160, 65-200 | NBR [4] | | FPM | 158.11x5.34 183.52x5.34 227.96x5.34 | OR 6625 OR 6720 OR 6895 | 1 | |
| | | EN 1.4401 (AISI 316) | | | 6x6x25 | UNI 6604 | | 1 |
| | | C 40 | | | 8x7x40 | UNI 6604 | | |
| 34 | Impeller nut Other model 50-200/2.2 | EN 1.4301 (AISI 304) | EN 1.4404 (AISI 316L) | M16x1.5 M18x1.5 | UNI 7474 | 1 | | |
| 42 | Pump support | Zinc-coated steel | | | EBARA DRAWING | 1 | | |
| 66 | Impeller side bearing cover | Cast iron EN-GJL-200-EN 1561 | | | | 1 | | |
| 67 | Motor side bearing cover | Cast iron EN-GJL-200-EN 1561 | | | | 1 | | |
| 72 | Casing ring (not for 65 version) [1] | EN 1.4301 (AISI 304) | EN 1.4404 (AISI 316L) | | | 1 | | |
| 73 | Casing ring (not for 65 version) | EN 1.4301 (AISI 304) | EN 1.4404 (AISI 316L) | | | 1 | | |
| 89 | Snap ring 32-125, 32-160, 40-125, 50-125 Other model | Carbon tool steel TC 80 | | Ø30 Ø40 | UNI 7435 | 1 | | |
| | | | | | | | | |
| 92 | O ring | - | | VS - 0030 | | 1 | | |
| 93 | O ring | - | | VS - 0030 | | 1 | | |
| 200 | Screw 32-125, 40-125 40-160, 40-200, 50-125, 50-160, 50-200, 65-125, 65-160, 65-200 | Stainless steel A2 70 class ISO 3506/1 | | M 8x30 M 10x35 | UNI 5739 | 8 [2] | | |

[1] For version: 32-200, 40-200, 50-160, 50-200

[2] N° for 1 unit=10 for 32-160, 40-160, 50-125, 65-125

N° for 1 unit=12 for 32-200, 40-200, 50-160, 50-200, 65-160, 65-200

[3] Special version: see CONSTRUCTION 3

[4] FPM for H-HS-HW-HSW option

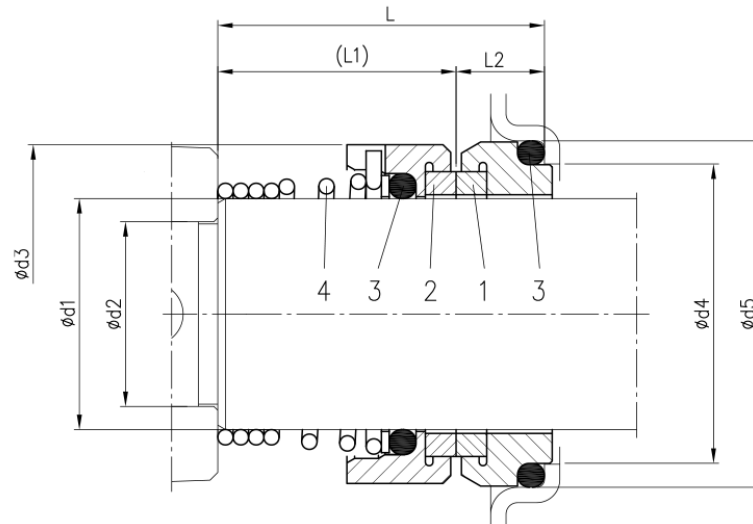
EPDM for E version, Q1AEGG, U3U3EGG, Q1Q1EGG, Q1U3EGG, U3CEGG

(3/3)

Construction

Pump Name 3PF4 65-125/L

| | | |
|----------|--|-----------|
| Customer | Date 2024-06-12 | Company |
| Contact | Item no. | Issued by |
| Phone | Project | Phone |
| E-mail | Project ID Proiect redenumit 2024-06-12 12:10:37 | E-mail |



| Version | Pump type | Dimensions | | | | | | | | Material | | | |
|----------|--|------------|----|----|----|----|------|------|----|------------------------------|--------------------------|-------------|-------------------------|
| | | d1 | d2 | d3 | d4 | d5 | L | L1 | L2 | 1 Stationary seal ring | 2 Rotary seal ring | 3 Rubber | 4 Frame + spring |
| Standard | 32-125/160/200 40-125/160/200 50-125/160/200 65-125/160/200 | 22 | 19 | 38 | 31 | 37 | 37.5 | 27.5 | 10 | Carbon | Ceramic | NBR | EN 1.4401 (AISI 316) |