

# Technical Data

Pump Name

3S 40-125/4.06

Customer	Date	2024-06-20	Company
Contact	Item no.		Issued by
Phone	Project		Phone
E-mail	Project ID	Proiect redenumit 2024-06-20 14:51:28	E-mail

## Requested data

1	Pump type	CENTRIFUGAL PUMPS	Fluid	Water
2	Number of pumps / Reserve	1 / 0	Liquid temperature	°C
3	Flow	m³/h	Kin. viscosity	mm²/s
4	Head	m	Vapour pressure	bar
5	Geodetic head	m	PH value	
6	Inlet pressure (pin)	bar	Density	kg/m³
7	Available system NPSH		Solids	Weight %
8	Ambient temperature	°C		

## Pump

9	Pump Name	3S 40-125/4.06	Frequency	Hz	60	
10	Design	CENTRIFUGAL PUMPS	Installation type		STANDARD	
11	Manufacturer	EBARA	Impeller Diameter	Max.	mm	
12	Speed	rpm		3480	Designed	mm
13	No. of Stage	1		Min.	mm	140
14	Connection	Suction side	DIN 2532	Flow	Operating	m³/h
15	Connection	Discharge side	DIN 2532		Max-	m³/h
16	Max Working Pressure	bar	10		Min-	m³/h
17	Shut-off head	bar	3.72	Head	Operating	m
18	Total weight	kg	See the table of "Dimensions".		- (Qmax.)	m
19	Shaft power	kW			- (Qmin.)	m
20				Max. Shaft Power at max. impeller	kW	4.12
21	Required pump NPSH	m		Efficiency	%	

## Materials

22	Impeller	AISI 304		
23	Casing	AISI 304		
24	Shaft	AISI 304		
25				
26				
27				

## Motor

28	Manufacturer	LAFERT	Insulation class	F	
29	Type	TEFC_3S 40-125/4.06_265_Three Phase	Phases	3~	
30	Specific design	IE2 / 60 Hz / Pole pairs 1	Frame size		
31	Rated power	kW	4	Weight	kg
32	Number of poles	2	Electric voltage	V	265
33	Speed	rpm	3500	Electric current	A
34	Degree of protection	IP 55			
35					

## Remarks

# Performance Curve

Pump Name

3S 40-125/4.06

Customer	Date	2024-06-20	Company
Contact	Item no.		Issued by
Phone	Project		Phone
E-mail	Project ID	Project redenumit 2024-06-20 14:51:28	E-mail

## Requested data

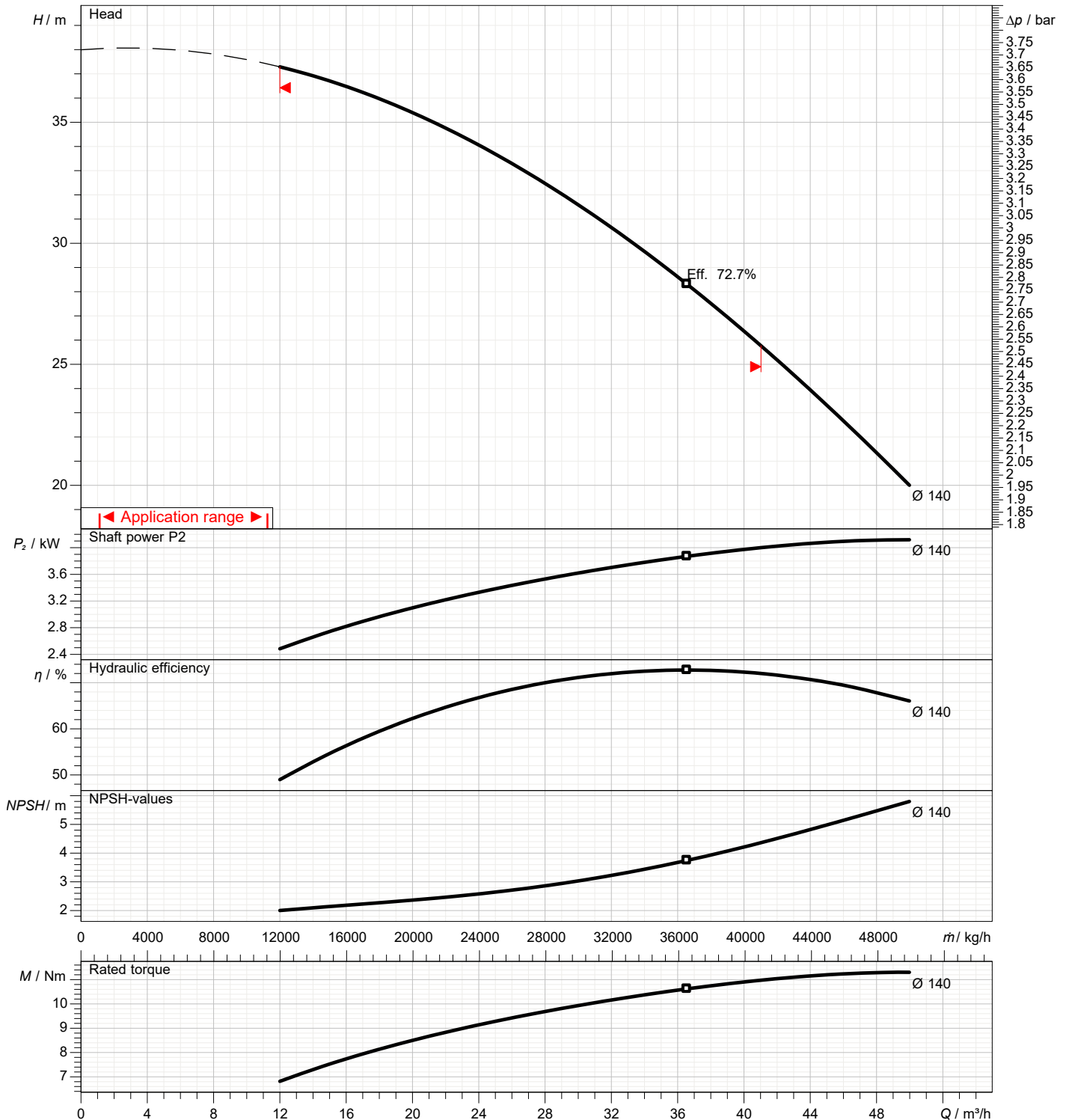
1	Flow	m³/h	
2	Head	m	
3	Geodetic head	m	

## Pump

Operating flow	m³/h		Frequency	Hz	60
Operating head	m		Number of poles		2
Impeller diameter designed	mm	140	Speed	rpm	3480

Test standard: ISO 9906:2012 - Grade3B

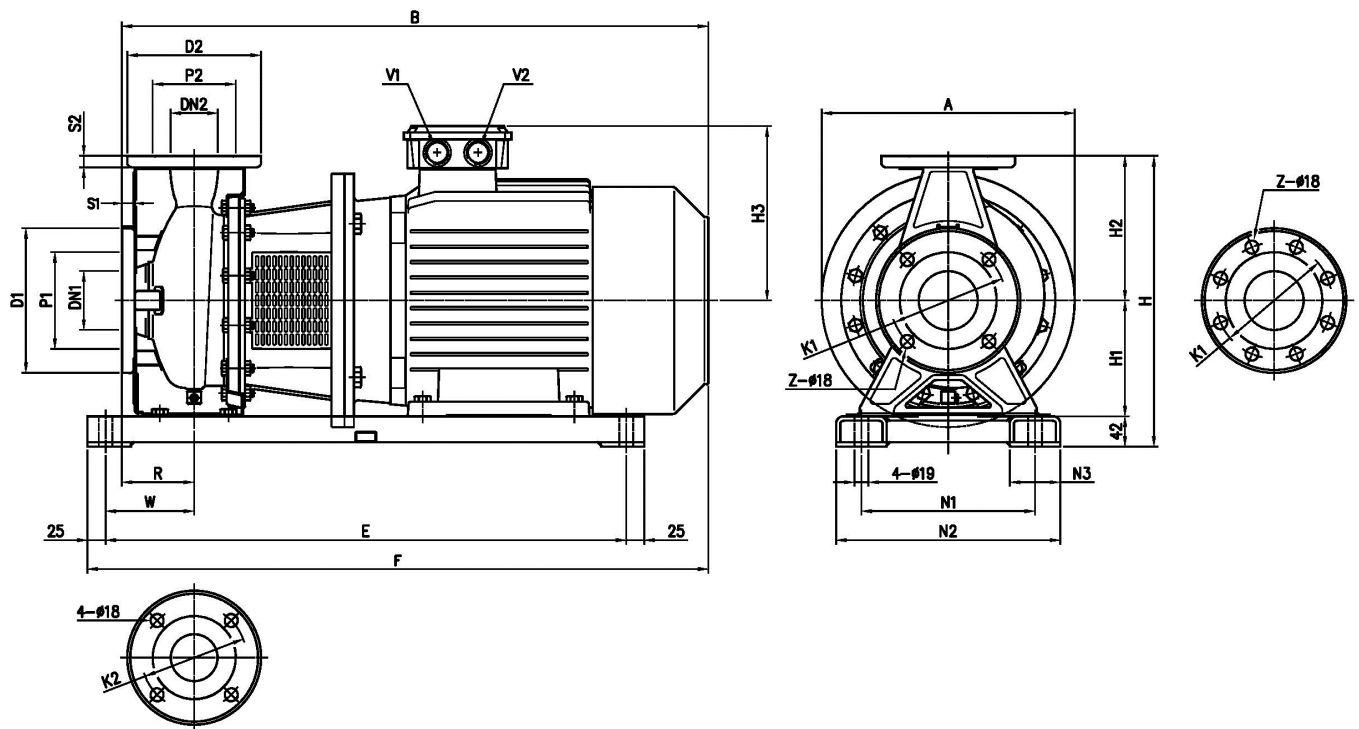
Water; 20°C; 998.3kg/m³; 1mm²/s



# Dimensions

Pump Name 3S 40-125/4.06

Customer	Date 2024-06-20	Company
Contact	Item no.	Issued by
Phone	Project	Phone
E-mail	Project ID Proiect redenumit 2024-06-20 14:51:28	E-mail



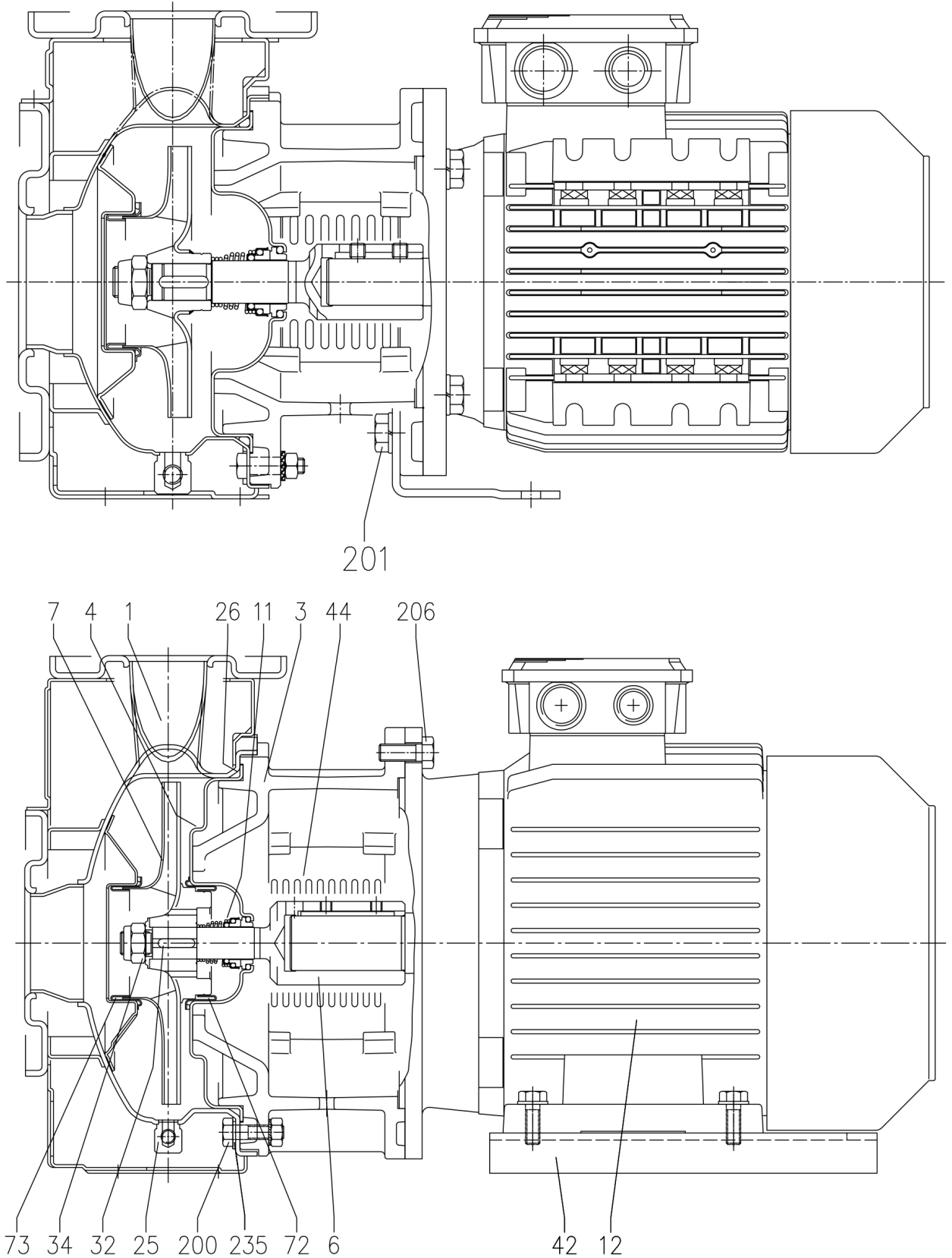
Dimensions in		mm						
1	A	250	H3	171				
2	B	550	N1	180				
3	Dia D1	185	N2	240				
4	Dia D2	150	N3	60				
5	Dia DN1	65	R	80				
6	Dia DN2	40	S1	16				
7	Dia K1	145	S2	14				
8	Dia K2	110	V1	M25x1,5				
9	Dia P1	115	V2	M20x1,5				
10	Dia P2	80	W	90				
11	E	500	Weight P&M	44,6 kg				
12	F	585	Z	4				
13	H	294						
14	H1	112						
15	H2	140						

(1/3)

# Construction

Pump Name 3S 40-125/4.06

Customer	Date 2024-06-20	Company
Contact	Item no.	Issued by
Phone	Project	Phone
E-mail	Project ID Proiect redenumit 2024-06-20 14:51:28	E-mail



(2/3)

# Construction

Pump Name 3S 40-125/4.06

Customer	Date 2024-06-20	Company
Contact	Item no.	Issued by
Phone	Project	Phone
E-mail	Project ID Proiect redenumit 2024-06-20 14:51:28	E-mail

N°	PART NAME	MATERIAL		DIMENSIONS	STANDARD	Q.TY
		3S	3LS			
1	Casing	EN 1.4301 (AISI 304)	EN 1.4404 (AISI 316L)			1
3	Motor bracket	Cast iron EN-GJL-200-EN 1561				1
4	Casing cover	EN 1.4301 (AISI 304)	EN 1.4404 (AISI 316L)			1
6	Coupling - Part in contact with liquid	EN 1.4301 (AISI 304)	EN 1.4404 (AISI 316L)			1
7	Impeller	EN 1.4301 (AISI 304)	EN 1.4404 (AISI 316L)			1
11	Mechanical seal [4]	-	-			1
12	Motor	-				1
25	Draing plug	EN 1.4401 (AISI 316) / PTFE		R 1/8" L=8	DIN 906	1
26	O-ring [5]	NBR/FPM/EPDM	FPM/EPDM	158.11x5.34	OR 6625	1
				183.52x5.34	OR 6720	
				227.96x5.34	OR 6895	
32	Key	EN 1.4401 (AISI 316)		6x6x25	UNI 6604	1
	Up to 11 kW 15 kW and above			8x7x30		
34	Impeller nut	EN 1.4301 (AISI 304)	EN 1.4404 (AISI 316L)	M16x1.5 M20x1.5	UNI 7474	1
42	Foot	Aluminium / Zinc-coated steel				1
44	Protection	EN 1.4301 (AISI 304)			EBARA DRAWING	1
72	Casing ring [1]	EN 1.4301 (AISI 304)	EN 1.4404 (AISI 316L)			1
73	Casing ring	EN 1.4301 (AISI 304)	EN 1.4404 (AISI 316L)			1
200	Screw	32-125, 40-125 32-160, 32-200, 40-160, 40-200, 50-125, 50-160	Stainless steel A2 70 class ISO 3506/1	M8x30	UNI 5739	8
				M10x35	UNI 5739	[2]
201	Screw		Zn. Steel 8.8 strenght class ISO 898/1	M10x16	UNI 5739	[3]
206	Screw for bracket		Zn. Steel 8.8 strenght class ISO 898/1	M10x40	UNI 5739	4
235	Washer	32-125, 40-125 32-160, 32-200, 40-160, 40-200, 50-125, 50-160	Stainless steel A2 70 class ISO 3506/1	M8.4x17	UNI 6592	8
				M10.5x21	UNI 6592	[2]

[1] Only for version 32-200, 40-200, 50-160

[2] Quantity = 10 for 32-160, 40-160, 50-125  
Quantity = 12 for 32-200, 40-200, 50-160

[3] Only for version 32-125, 32-160, 40-125

[4] See **CONSTRUCTION 3**

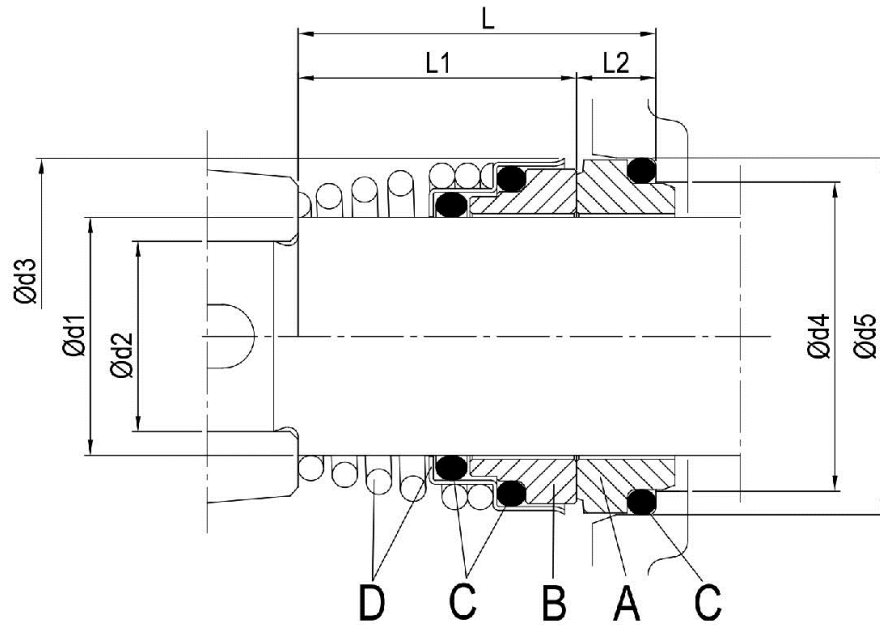
[5] See **CONSTRUCTION 3**, "O-ring" column

(3/3)

# Construction

Pump Name 3S 40-125/4.06

Customer	Date 2024-06-20	Company
Contact	Item no.	Issued by
Phone	Project	Phone
E-mail	Project ID Proiect redenumit 2024-06-20 14:51:28	E-mail



Pump type	Dimensions [mm]								Material Standard			
	d1	d2	d3	d4	d5	L	L1	L2	A Stationary seal ring	B Rotary seal ring	C O-ring	D Frame + spring
32-125/160/200 40-125/160/200 50-125/160 65-125 65-160/7.56-9.26-116	22	19	38	31	37	37.5	27.5	10	Carbon	Ceramic	NBR	EN 1.4301 (AISI 304)