

Technical Data

Pump Name

AGA 076 M

Customer	Date	2024-06-20	Company
Contact	Item no.		Issued by
Phone	Project		Phone
E-mail	Project ID	Proiect redenumit 2024-06-20 16:39:09	E-mail

Requested data

1	Pump type	CENTRIFUGAL PUMPS	Fluid	Water	
2	Number of pumps / Reserve	1 / 0	Liquid temperature	°C	20
3	Flow	m³/h	Kin. viscosity	mm²/s	1.005
4	Head	m	Vapour pressure	bar	0.0234
5	Geodetic head	m	PH value		
6	Inlet pressure (pin)	bar	Density	kg/m³	998.3
7	Available system NPSH		Solids	Weight %	0
8	Ambient temperature	°C	20		

Pump

9	Pump Name	AGA 076 M	Frequency	Hz	60		
10	Design	CENTRIFUGAL PUMPS	Installation type		STANDARD		
11	Manufacturer	EBARA	Impeller Diameter	Max.	mm	110	
12	Speed	rpm		3450	Designed	mm	110
13	No. of Stage	1		Min.	mm	110	
14	Connection	Suction side	UNI ISO 228	Flow	Operating	m³/h	
15	Connection	Discharge side	UNI ISO 228		Max-	m³/h	3
16	Max Working Pressure	bar	6		Min-	m³/h	0.3
17	Shut-off head	bar	4.56	Head	Operating	m	
18	Total weight	kg	See the table of "Dimensions".		- (Qmax.)	m	20.0
19	Shaft power	kW			- (Qmin.)	m	42.9
20				Max. Shaft Power at max. impeller	kW		
21	Required pump NPSH	m		Efficiency	%		

Materials

22	Impeller	PPE+PS glass fibre reinforced		
23	Casing	Cast iron		
24	Shaft	AISI 303 (wet extension)		
25				
26				
27				

Motor

28	Manufacturer	EPE Standard	Insulation class	F		
29	Type	TEFC_AGA 076 M_110_Single Phase	Phases	1~		
30	Specific design	- / 60 Hz / Pole pairs 1	Frame size			
31	Rated power	kW	0.55	Weight	kg	
32	Number of poles	2	Electric voltage	V	110	
33	Speed	rpm	3450	Electric current	A	9.5
34	Degree of protection	IP 44				
35						

Remarks

--

Performance Curve

Pump Name

AGA 076 M

Customer	Date	2024-06-20	Company
Contact	Item no.		Issued by
Phone	Project		Phone
E-mail	Project ID	Proiect redenumit 2024-06-20 16:39:09	E-mail

Requested data

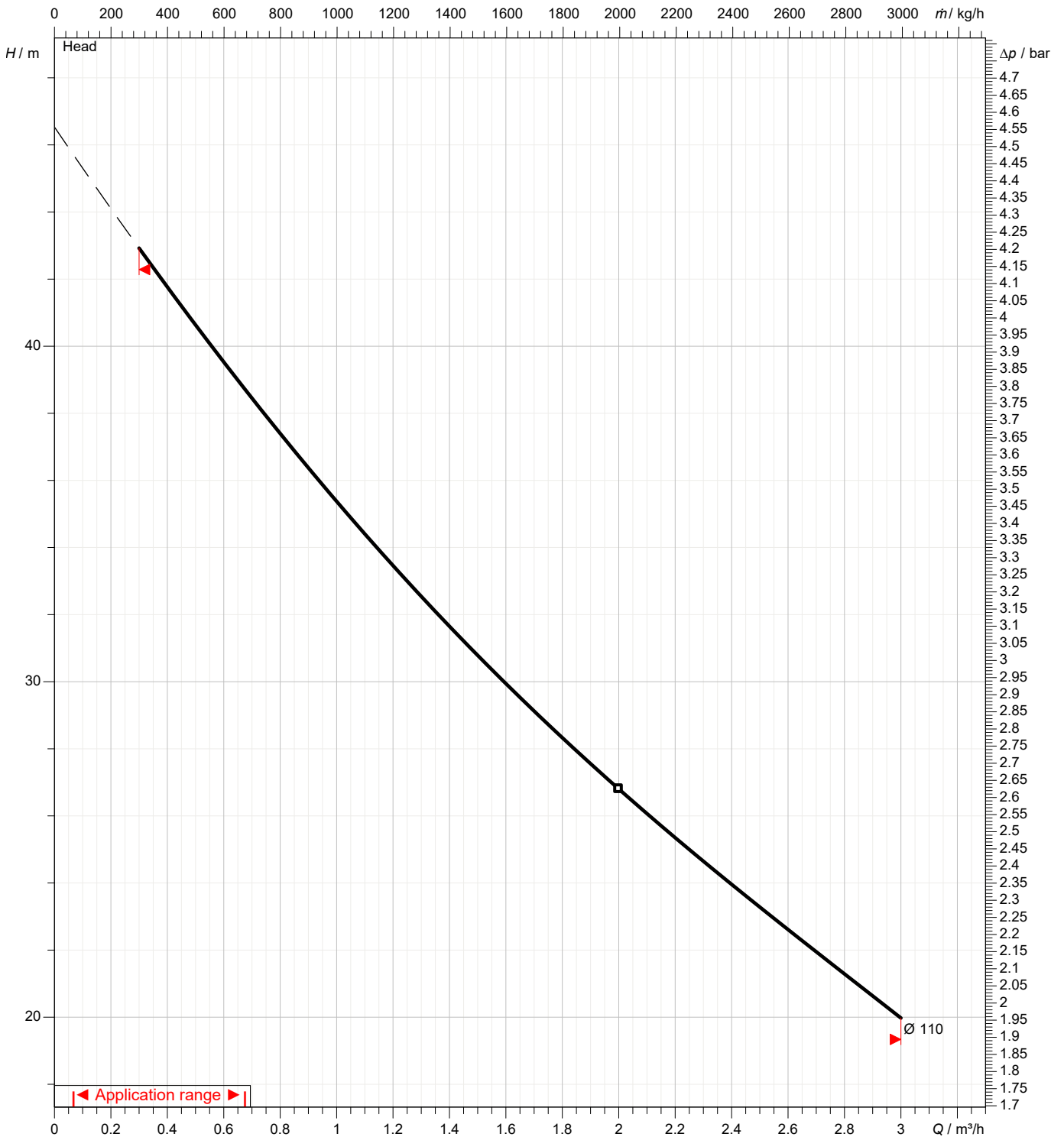
1	Flow	m³/h	
2	Head	m	
3	Geodetic head	m	

Pump

Operating flow	m³/h		Frequency	Hz	60
Operating head	m		Number of poles		2
Impeller diameter designed	mm	110	Speed	rpm	3450

Test standard: ISO 9906:2012 - Grade3B

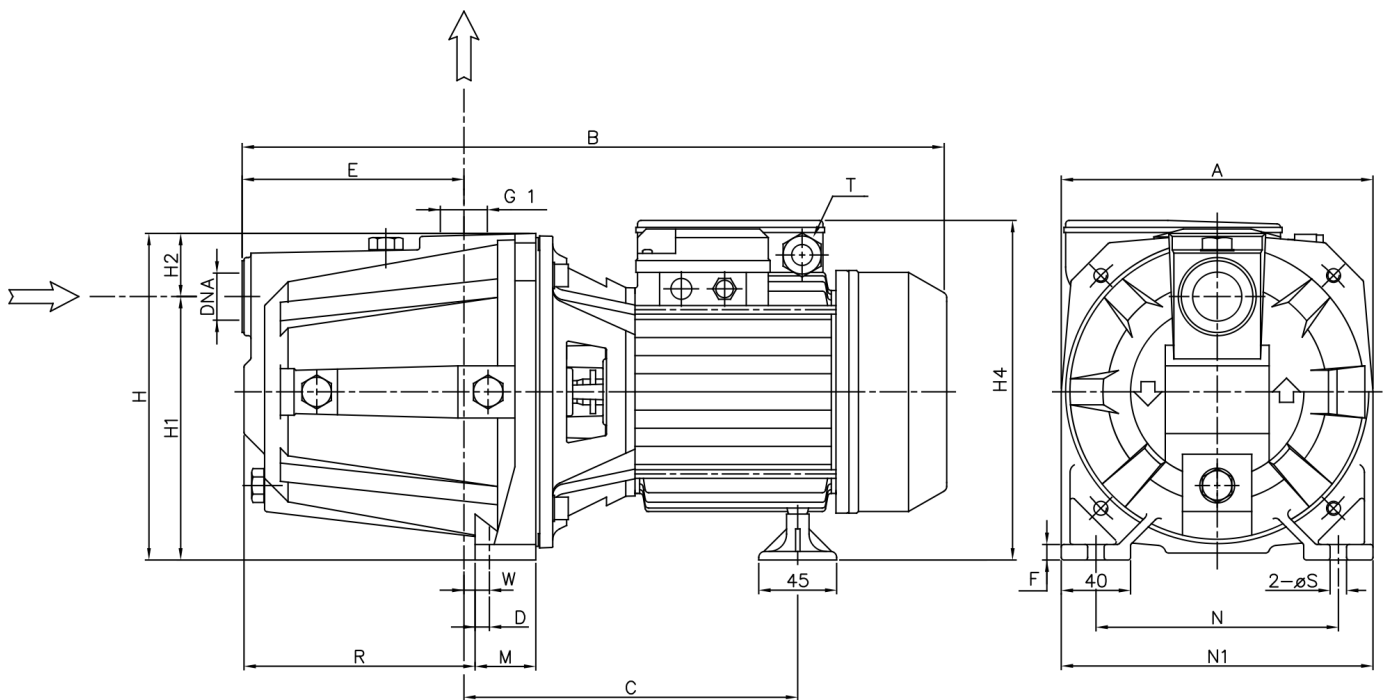
Water; 20°C; 998.3kg/m³; 1mm²/s



Dimensions

Pump Name AGA 076 M

Customer	Date 2024-06-20	Company
Contact	Item no.	Issued by
Phone	Project	Phone
E-mail	Project ID Proiect redenumit 2024-06-20 16:39:09	E-mail



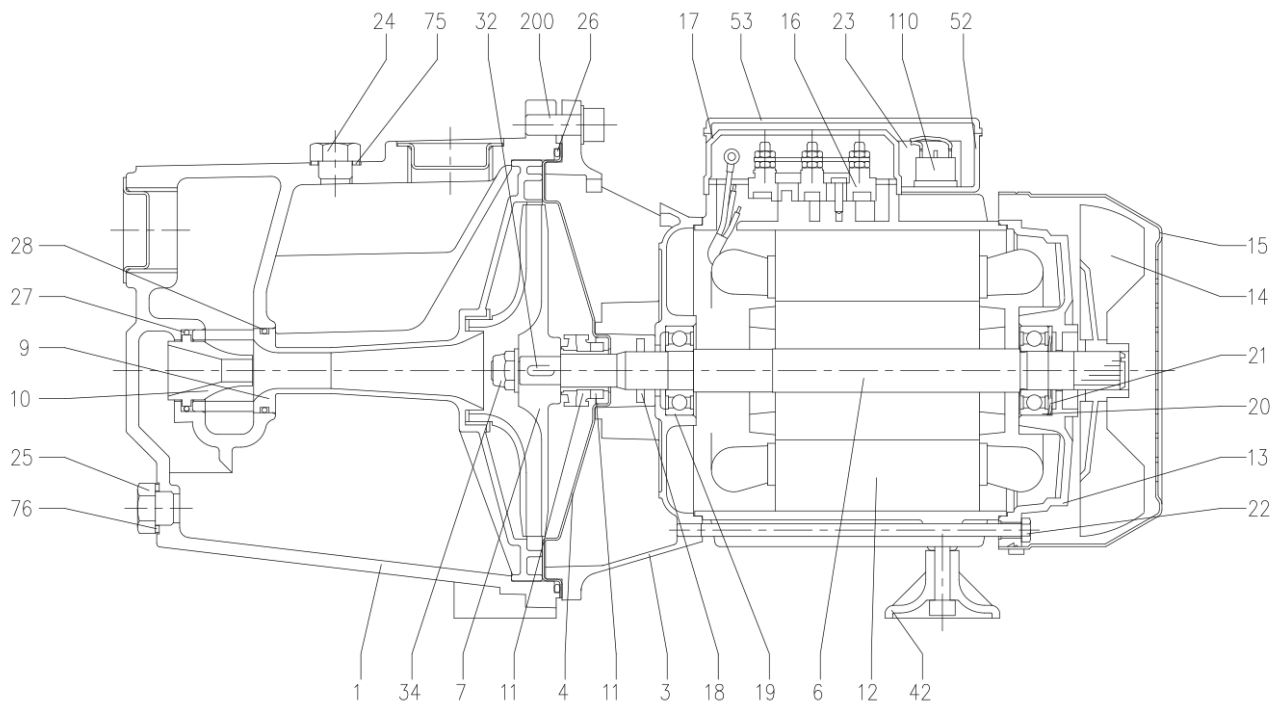
Dimensions in		mm					
1	A	180	S	9.5			
2	B	405	T	PG11			
3	C	195	W	11.8			
4	D	10.3	Weight P&M	13 kg			
5	DNA	G 1					
6	E	127					
7	F	9					
8	H	185					
9	H1	152					
10	H2	33					
11	H4	199					
12	M	40					
13	N	140					
14	N1	180					
15	R	128.5					

(1/3)

Construction

Pump Name AGA 076 M

Customer	Date 2024-06-20	Company
Contact	Item no.	Issued by
Phone	Project	Phone
E-mail	Project ID Proiect redenumit 2024-06-20 16:39:09	E-mail



(2/3)

Construction

Pump Name AGA 076 M

Customer	Date 2024-06-20	Company
Contact	Item no.	Issued by
Phone	Project	Phone
E-mail	Project ID Proiect redenumit 2024-06-20 16:39:09	E-mail

N°	PART NAME	MATERIAL	Q.TY
1	Casing	Cast iron	1
3	Motor bracket	[7]	1
4	Casing cover	AISI 304 [6]	1
6	Shaft with rotor	AISI 303 (wet extension)	1
7	Impeller	[4]	1
9	Diffuser + Venturi tube	PPE+PS glass fibre reinforced	1
10	Venturi nozzle	PPE+PS glass fibre reinforced	1
11	Mechanical seal	Carbon/Ceramic/NBR	1
12	Motor frame with stator	-	1
13	Motor cover	Aluminium	1
14	Fan	PA6	1
15	Fan cover	Fe P04 Zincate	1
16	Terminal board	-	1
17	Terminal box cover [1]	Aluminium	1
18	Splash ring	NBR	1
19	Pump side ball bearing	-	1
20	Fan side ball bearing	-	1
21	Adjusting ring	Steel C70	1
22	Tie rod	Fe 42 Zincate	4
23	Capacitor [2]	-	1
24	Priming plug	Brass	1
25	Drain plug	Brass	1
26	O-ring	NBR	1
27	O-ring	NBR	1
28	O-ring	NBR	1
32	Key	AISI 316	1
34	Impeller nut [3]	AISI 304	1
42	Foot	PP	1
52	Capacitor box [2]	ABS class V-0	1
53	Capacitor box cover [2] [8]	ABS class V-0 [8]	1
75	Washer	Aluminium	1
76	Washer	Aluminium	1
110	Motor protector [5]	-	1
200	Screw	Zn Steel Cl. 8.8 ISO 898-1	4

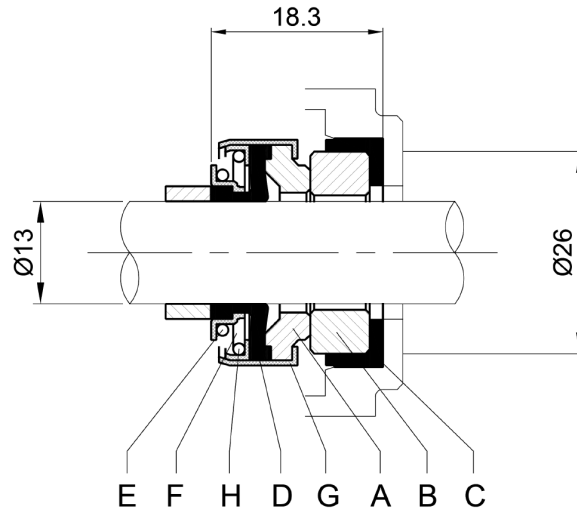
- [1] Only for three phase
- [2] Only for single phase
- [3] Only for Brass impeller version
- [4] Material: PPE+PS glass fibre reinforced for type : AGA 076 - AGA 106
Brass for type : AGA 156 - AGA 206 - AGA 306
- [5] Only for version single phase AGA 206
- [6] Only for version AGA 076 - AGA 106
- [7] Material: Cast iron for version AGA 156 - AGA 206 - AGA 306
Aluminium for version AGA 076 - AGA 106
- [8] With gasket in NBR only for version single phase AGA 106

(3/3)

Construction

Pump Name AGA 076 M

Customer	Date 2024-06-20	Company
Contact	Item no.	Issued by
Phone	Project	Phone
E-mail	Project ID Proiect redenumit 2024-06-20 16:39:09	E-mail



REF	PART NAME	MATERIAL
A	Rotary seal ring	Carbon graphite
B	Stationary seal ring	Ceramic
C	Gasket	NBR
D	Bellows	NBR
E	O-Ring	AISI 304
F	Self-driving spring	AISI 304
G	Frame	AISI 304
H	Retainer ring	AISI 304