

Technical Data

Pump Name

CDX 120/206 IE3

Customer	Date	2024-07-01	Company
Contact	Item no.		Issued by
Phone	Project		Phone
E-mail	Project ID	Proiect redenumit 2024-07-01 15:55:48	E-mail

Requested data

1	Pump type	CENTRIFUGAL PUMPS	Fluid	Water
2	Number of pumps / Reserve	1 / 0	Liquid temperature	°C 20
3	Flow	m³/h	Kin. viscosity	mm²/s 1.005
4	Head	m	Vapour pressure	bar 0.0234
5	Geodetic head	m	PH value	
6	Inlet pressure (pin)	bar	Density	kg/m³ 998.3
7	Available system NPSH		Solids	Weight % 0
8	Ambient temperature	°C 20		

Pump

9	Pump Name	CDX 120/206 IE3	Frequency	Hz 60
10	Design	CENTRIFUGAL PUMPS	Installation type	STANDARD
11	Manufacturer	EBARA	Impeller Diameter	Max. mm 157
12	Speed	rpm 3450		Designed mm 157
13	No. of Stage	1		Min. mm 157
14	Connection	Suction side UNI ISO 228-1	Flow	Operating m³/h
15	Connection	Discharge side UNI ISO 228-1		Max- m³/h 9.6
16	Max Working Pressure	bar 8		Min- m³/h 3
17	Shut-off head	bar 4.46	Head	Operating m
18	Total weight	kg See the table of "Dimensions".		- (Qmax.) m 35.5
19	Shaft power	kW		- (Qmin.) m 43.1
20			Max. Shaft Power at max. impeller	kW 1.82
21	Required pump NPSH	m	Efficiency	%

Materials

22	Impeller	AISI 304	
23	Casing	AISI 304	
24	Shaft	AISI 303 (wet extension)	
25			
26			
27			

Motor

28	Manufacturer	EPE Standard	Insulation class	F
29	Type	TEFC_CD_X 120/206_460_Three Phase	Phases	3~
30	Specific design	IE3 / 60 Hz / Pole pairs 1	Frame size	
31	Rated power	kW 1.5	Weight	kg
32	Number of poles	2	Electric voltage	V 460
33	Speed	rpm 3450	Electric current	A 4.1
34	Degree of protection	IP 55		
35				

Remarks

Performance Curve

Pump Name

CDX 120/206 IE3

Customer	Date	2024-07-01	Company
Contact	Item no.		Issued by
Phone	Project		Phone
E-mail	Project ID	Project redenumit 2024-07-01 15:55:48	E-mail

Requested data

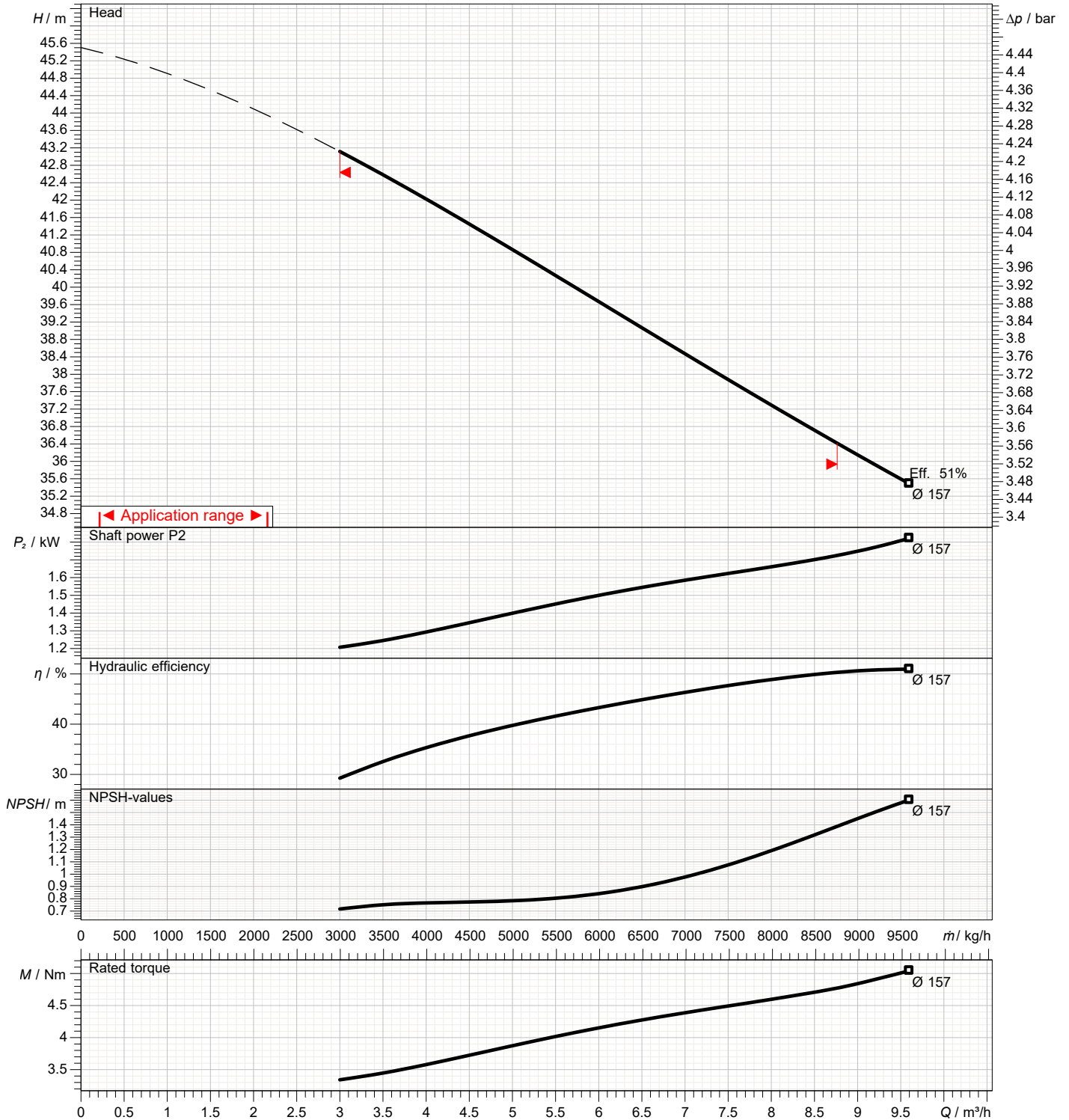
1	Flow	m³/h	
2	Head	m	
3	Geodetic head	m	

Pump

Operating flow	m³/h		Frequency	Hz	60
Operating head	m		Number of poles		2
Impeller diameter designed	mm	157	Speed	rpm	3450

Test standard: ISO 9906:2012 - Grade3B

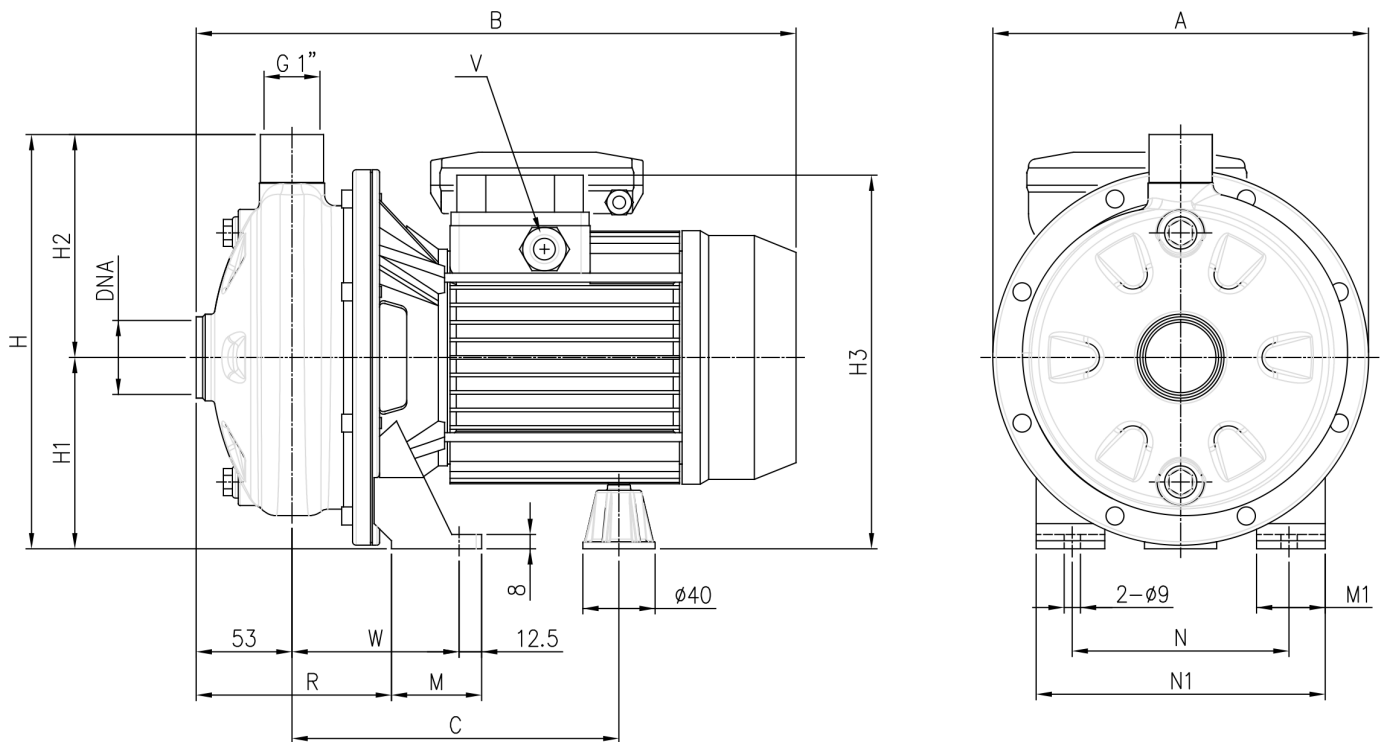
Water; 20°C; 998.3kg/m³; 1mm²/s



Dimensions

Pump Name **CDX 120/206 IE3**

Customer	Date 2024-07-01	Company
Contact	Item no.	Issued by
Phone	Project	Phone
E-mail	Project ID Proiect redenumit 2024-07-01 15:55:48	E-mail

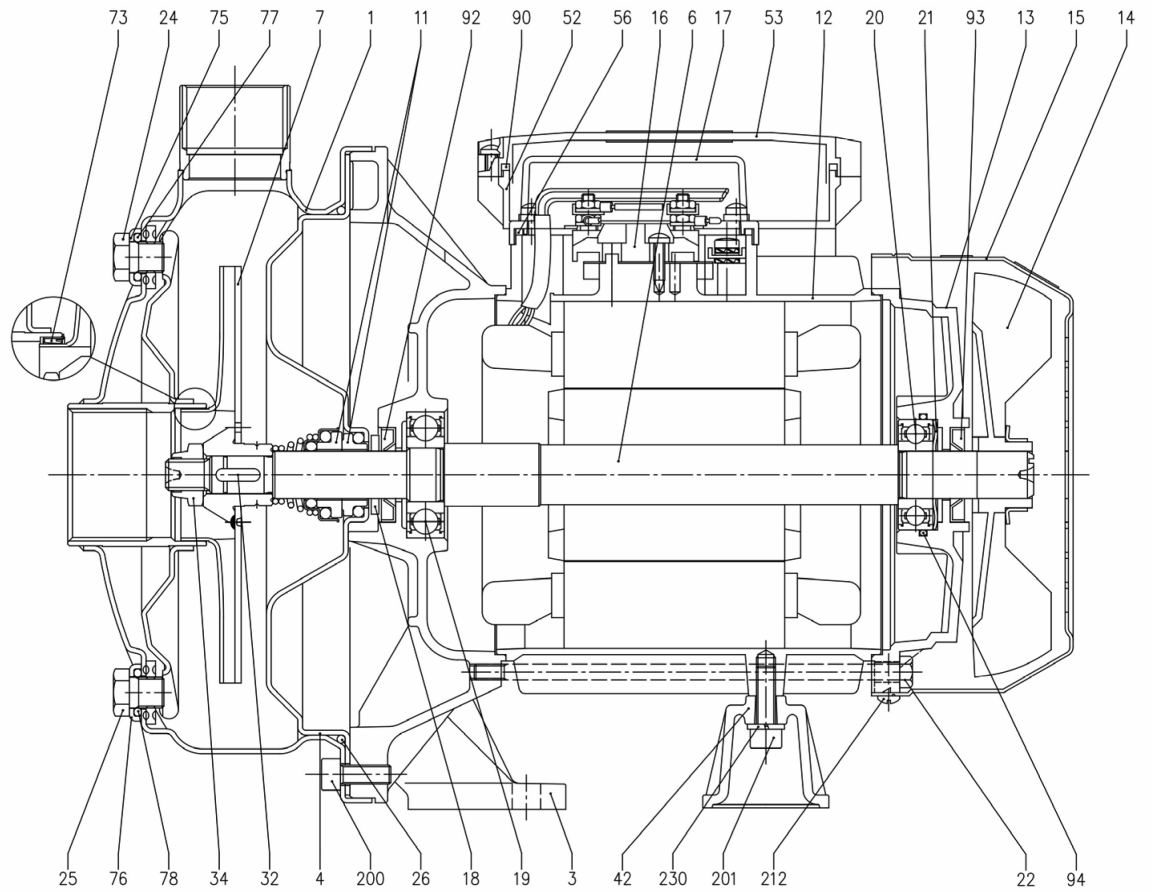


Dimensions in		mm						
1	A	208	Weight P&M	15 kg				
2	B	372						
3	C	198.5						
4	DNA	G 1 1/4						
5	H	229.5						
6	H1	106						
7	H2	123.5						
8	H3	225						
9	M	50						
10	M1	40						
11	N	140						
12	N1	180						
13	R	105.5						
14	V	M20x1.5						
15	W	95						

(1/3) Construction

Pump Name CDX 120/206 IE3

Customer	Date 2024-07-01	Company
Contact	Item no.	Issued by
Phone	Project	Phone
E-mail	Project ID Proiect redenumit 2024-07-01 15:55:48	E-mail



(2/3)

Construction

Pump Name CDX 120/206 IE3

Customer	Date 2024-07-01	Company
Contact	Item no.	Issued by
Phone	Project	Phone
E-mail	Project ID Proiect redenumit 2024-07-01 15:55:48	E-mail

N°	PART NAME	MATERIAL	Q.TY
1	Casing	AISI 304 / AISI 316L [7]	1
3	Motor bracket	Aluminium	1
4	Casing cover	AISI 304 / AISI 316L [7]	1
6	Shaft with rotor	AISI 303 / AISI 316L [7] (Wet extension)	1
7	Impeller	AISI 304 / AISI 316L [7]	1
11	Mechanical seal [8]	Carbon/Ceramic/NBR	1
12	Motor frame with stator	-	1
13	Motor cover	Aluminium	1
14	Fan	PA	1
15	Fan cover	Fe P04 Zincate	1
16	Terminal board	-	1
17	Terminal box cover [2]	Aluminium	1
18	Splash ring	NBR	1
19	Pump side ball bearing	-	1
20	Fan side ball bearing	-	1
21	Adjusting ring	Steel C70	1
22	Tie rod	Fe 420 Zincate	4
23	Capacitor [1]	-	1
24	Priming plug	AISI 303 / AISI 316 [7]	1

N°	PART NAME	MATERIAL	Q.TY
26	O-Ring [3]	NBR	1
32	Key	AISI 316	1
34	Impeller nut	AISI 304 / AISI 316 [7]	1
42	Motor support	Aluminium	1
52	Terminal box [1]	ABS class V0	1
53	Terminal box cover [5]	ABS class V0	1
56	Box gasket	NBR	1
73	Casing ring [4]	AISI 304 / AISI 316L [7]	1
75	Washer	AISI 304	1
76	Washer	AISI 304	1
77	O-Ring [3]	NBR	1
78	O-Ring [3]	NBR	1
90	Terminal box cover gasket [6]	NBR	1
92	Lip seal	-	1
93	Lip seal	-	1
94	O-Ring [9]	NBR	1
110	Protector [1]	-	1
200	Screw	Stainless steel A2 UNI7323	8
201	Screw	Zincate Steel	4
212	Screw	Zincate Steel	1

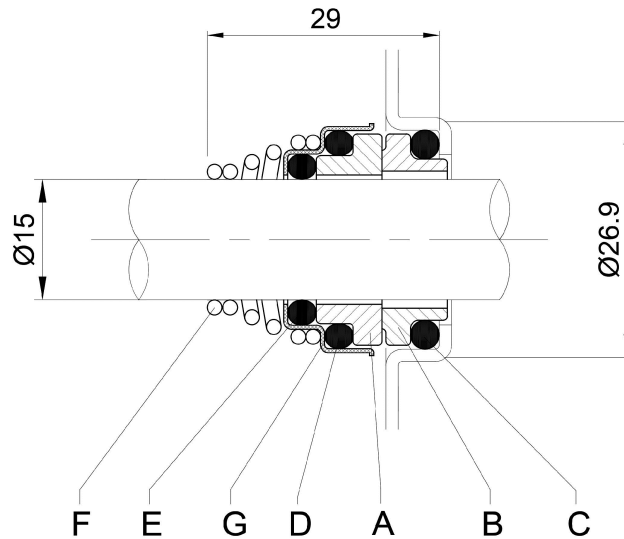
- [1] Only for single phase
- [2] Only for three phase
- [3] FPM for H-HS-HW-HSW
EPDM for E and Special Mechanical Seal
- [4] NBR for CDX 70/076-70/106-70/156
FPM for H-HS-HW-HSW version of the CDX 70/076-70/106-70/156
- [5] With gasket in NBR only for version single phase CDXM 70/076, 70/106, 70/156, 120/106, 120/156, 200/156
- [6] Only for version single phase CDXM 120/206, 200/206
- [7] Only for "L" version
- [8] See CONSTRUCTION 3
- [9] Only for CDX 70/156, CDX 120/156, CDX 200/156 (three phase)

(3/3)

Construction

Pump Name CDX 120/206 IE3

Customer	Date 2024-07-01	Company
Contact	Item no.	Issued by
Phone	Project	Phone
E-mail	Project ID Proiect redenumit 2024-07-01 15:55:48	E-mail



REF	PART NAME	MATERIAL Standard and L version
A	Rotary seal ring	Ceramic
B	Stationary seal ring	Carbon graphite
C	O-Ring	NBR
D	O-Ring	NBR
E	O-Ring	NBR
F	Self-driving spring	AISI 316
G	Frame	AISI 304