

# Technical Data

Pump Name

COMPACT A/106 IE3

Customer	Date	2024-07-01	Company
Contact	Item no.		Issued by
Phone	Project		Phone
E-mail	Project ID	Proiect redenumit 2024-07-01 15:55:48	E-mail

## Requested data

1	Pump type	MULTISTAGE CENTRIFUGAL PUMPS	Fluid	Water
2	Number of pumps / Reserve	1 / 0	Liquid temperature	°C
3	Flow	m³/h	Kin. viscosity	mm²/s
4	Head	m	Vapour pressure	bar
5	Geodetic head	m	PH value	
6	Inlet pressure (pin)	bar	Density	kg/m³
7	Available system NPSH		Solids	Weight %
8	Ambient temperature	°C		

## Pump

9	Pump Name	COMPACT A/106 IE3	Frequency	Hz	60	
10	Design	MULTISTAGE CENTRIFUGAL PUMPS	Installation type		STANDARD	
11	Manufacturer	EBARA	Impeller Diameter	Max.	mm	
12	Speed	rpm		3400	Designed	mm
13	No. of Stage	5		Min.	mm	90
14	Connection	Suction side	UNI ISO 228	Flow	Operating	m³/h
15	Connection	Discharge side	UNI ISO 228		Max-	m³/h
16	Max Working Pressure	bar	10		Min-	m³/h
17	Shut-off head	bar	6.07	Head	Operating	m
18	Total weight	kg	See the table of "Dimensions".		- (Qmax.)	m
19	Shaft power	kW			- (Qmin.)	m
20				Max. Shaft Power at max. impeller	kW	
21	Required pump NPSH	m		Efficiency	%	

## Materials

22	Impeller	PPE+PS glass fibre reinforced		
23	Casing	Cast iron		
24	Shaft	AISI 416		
25				
26				
27				

## Motor

28	Manufacturer	EPE Standard	Insulation class	F	
29	Type	TEFC_COMPACT A/106_460_Three Phase	Phases	3~	
30	Specific design	IE3 / 60 Hz / Pole pairs 1	Frame size		
31	Rated power	kW	0.75	Weight	kg
32	Number of poles	2	Electric voltage	V	460
33	Speed	rpm	3400	Electric current	A
34	Degree of protection	IP 44			
35					

## Remarks

# Performance Curve

Pump Name

COMPACT A/106 IE3

Customer	Date	2024-07-01	Company
Contact	Item no.		Issued by
Phone	Project		Phone
E-mail	Project ID	Proiect redenumit 2024-07-01 15:55:48	E-mail

## Requested data

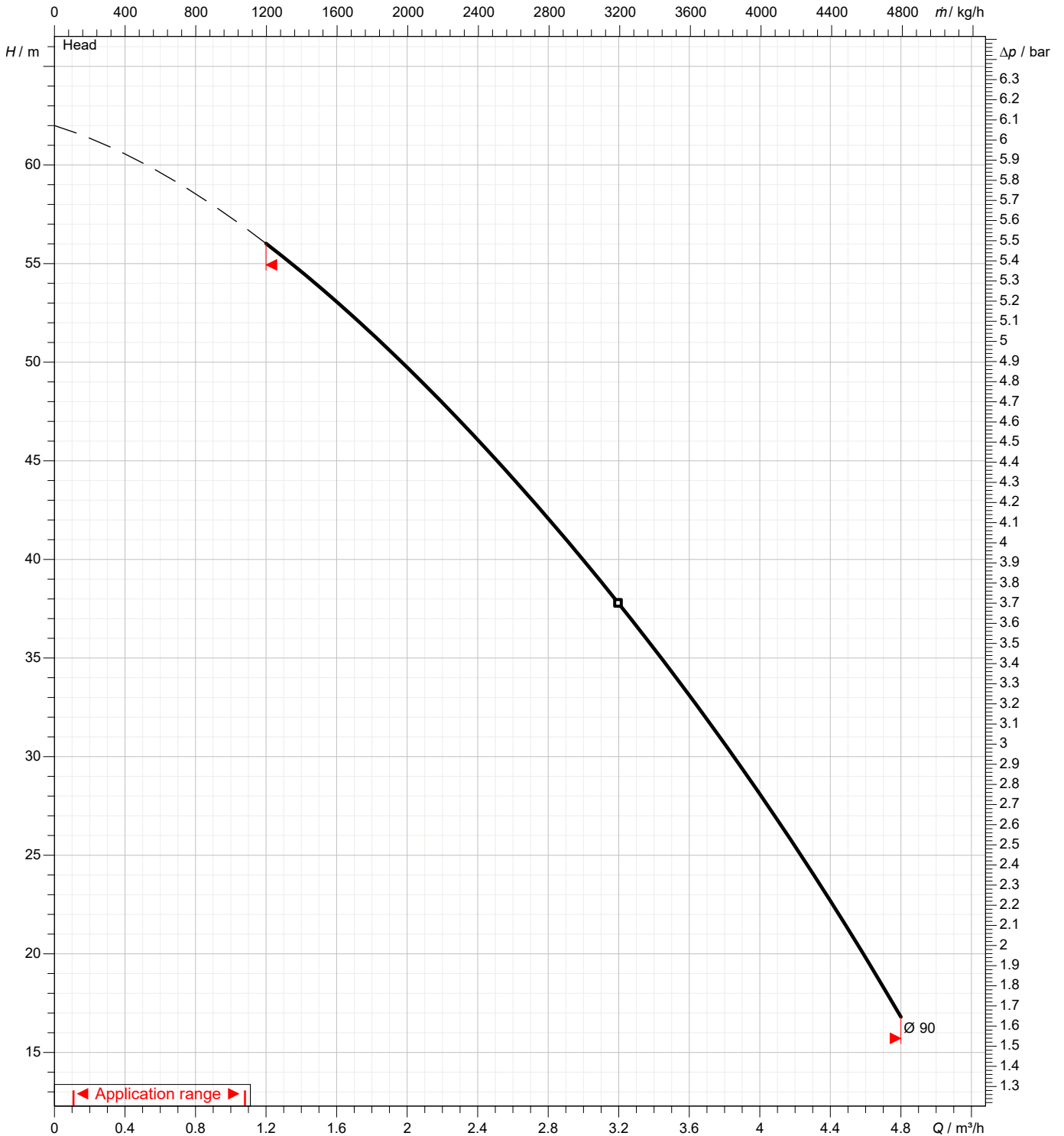
1	Flow	m³/h	
2	Head	m	
3	Geodetic head	m	

## Pump

Operating flow	m³/h		Frequency	Hz	60
Operating head	m		Number of poles		2
Impeller diameter designed	mm	90	Speed	rpm	3400

Test standard: ISO 9906:2012 - Grade3B

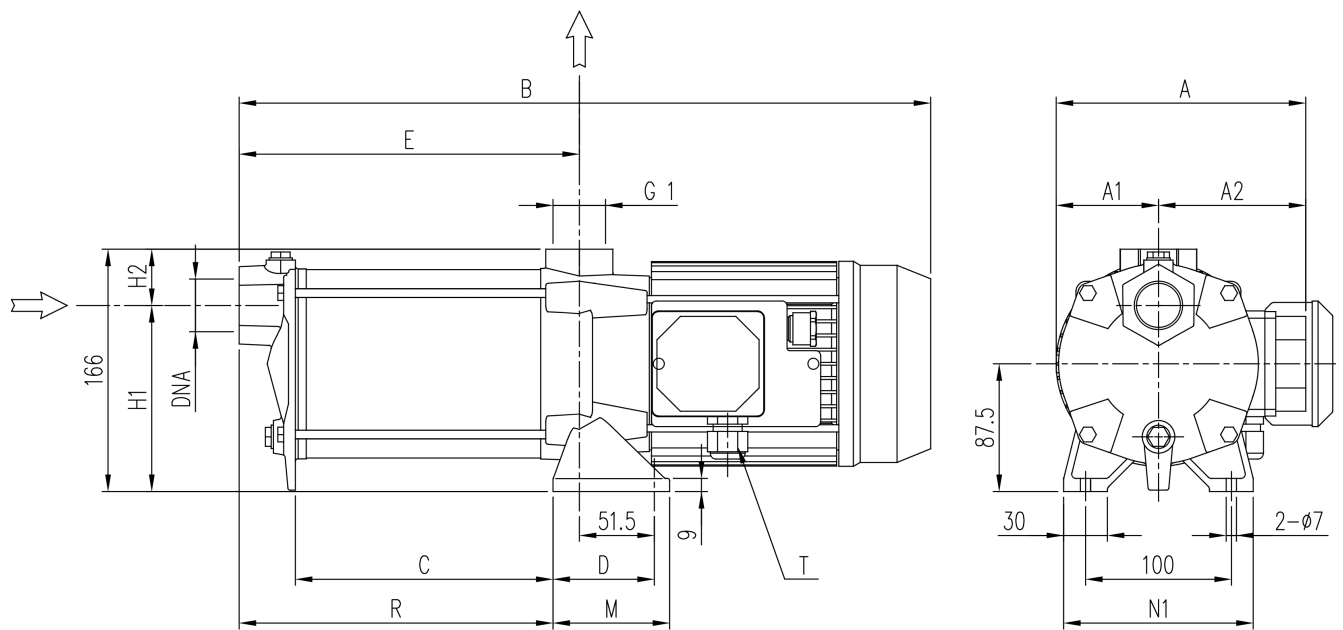
Water; 20°C; 998.3kg/m³; 1mm²/s



# Dimensions

Pump name COMPACT A/106 IE3

Customer	Date 2024-07-01	Company
Contact	Item no.	Issued by
Phone	Project	Phone
E-mail	Project ID Proiect redenumit 2024-07-01 15:55:48	E-mail



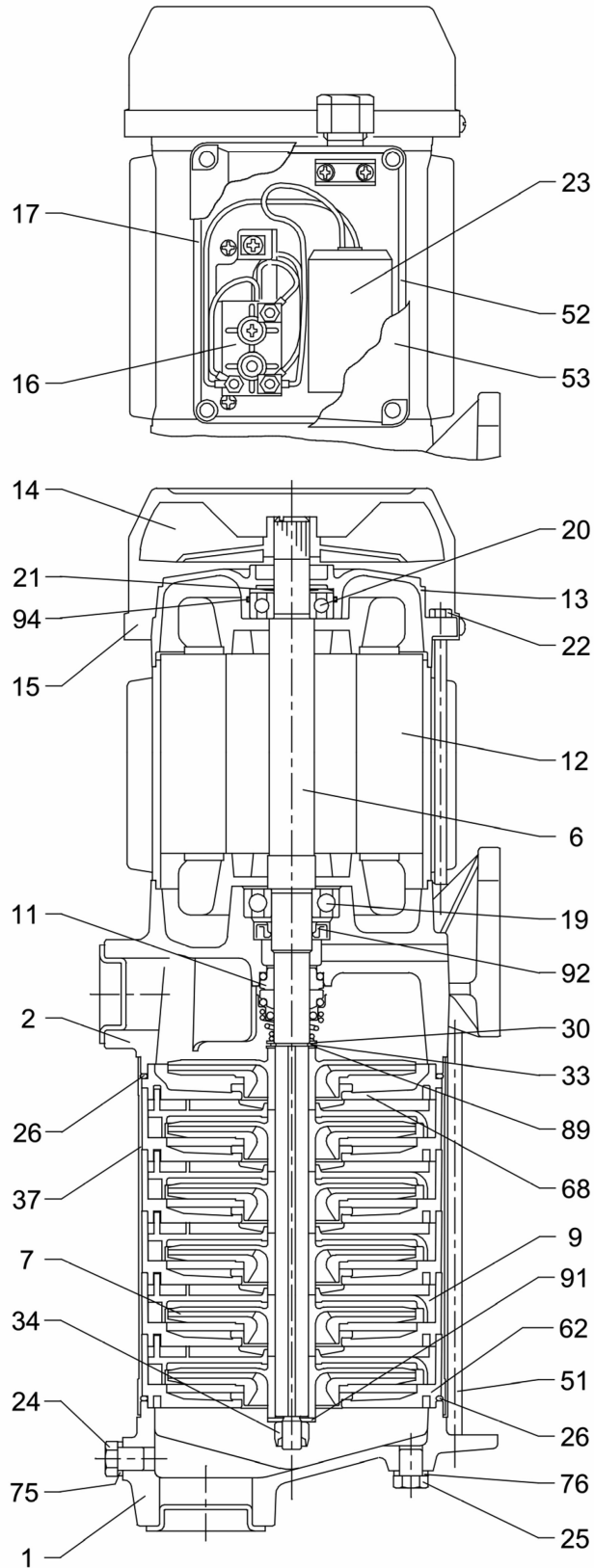
Dimensions in		mm						
1	A	171						
2	A1	70.2						
3	A2	101						
4	B	428						
5	C	142						
6	D	69.5						
7	DNA	G 1						
8	E	199						
9	H1	128						
10	H2	38.5						
11	M	80						
12	N1	130						
13	R	181						
14	T	M16x1,5						
15	Weight P&M	14,5 kg						

(1/4)

# Construction

Pump name COMPACT A/106 IE3

Customer	Date 2024-07-01	Company
Contact	Item no.	Issued by
Phone	Project	Phone
E-mail	Project ID Proiect redenumit 2024-07-01 15:55:48	E-mail



**(2/4)****Construction****Pump name COMPACT A/106 IE3**

Customer	Date 2024-07-01	Company
Contact	Item no.	Issued by
Phone	Project	Phone
E-mail	Project ID Proiect redenumit 2024-07-01 15:55:48	E-mail

N°	PART NAME	MATERIAL	DIMENSIONS	STANDARD	Q.TY
1	Suction casing	Cast iron EN-GJL-200-EN 1561	-	-	1
2	Delivery casing	Cast iron EN-GJL-200-EN 1561	-	-	1
6	Shaft with rotor	EN 1.4005 (AISI 416)	-	-	1
7	Impeller	PPE+PS fiber glass reinforced	-	-	[1]
9	Diffuser	PPE+PS fiber glass reinforced	-	-	[1]
11	Mechanical seal [2]	Carbon / Ceramic / NBR	-	-	1
12	Motor frame with stator	-	-	-	1
13	Motor cover + Spacer [6]	Aluminium	-	-	1
14	Fan	PA6	-	-	1
15	Fan cover	Galvanized Fe P04	-	-	1
16	Terminal board	-	-	-	1
17	Terminal box cover [3]	Aluminium	-	-	1
19	Pump side ball bearing	-	[4]	-	1
20	Fan side ball bearing	-	[4]	-	1
21	Adjusting ring	Steel C70	-	-	1
22	Motor tie rod	Galvanized Fe 42	M5xL	EBARA DRAWING	4
23	Capacitor [5]	-	-	-	1
24	Priming plug	OT 58 UNI 5705	G 1/8"	UNI ISO 228	1
25	Drain plug	OT 58 UNI 5705	G 1/8"	UNI ISO 228	1
26	O-ring	NBR	120x3	-	2
30	Washer	EN 1.4301 (AISI 304)	12x21x1 - [UP to 0,6kW]	EBARA DRAWING	1
			15x22x1 - [0,75 kW and above]		
33	Seeger ring	EN 1.4021 (AISI 420)	12	UNI 7435	1
		EN 1.4301 (AISI 304)	14	JIS B2804-1978	
34	Impeller nut	EN 1.4301 (AISI 304)	M8x1 - [UP to 0,6kW]	UNI 7474	1
			M10x1,25 - [0,75 kW and above]		
37	External pump casing	EN 1.4301 (AISI 304)	-	-	1
51	Tie rod	Galvanized Fe P04	M6xL	EBARA DRAWING	4
52	Capacitor box [5]	PP class V-0	-	-	1
53	Capacitor box cover [5]	PP class V-0	-	-	1
62	Stage housing	PPE+PS fiber glass reinforced/PTFE	-	-	[1]
68	Stage	PPE+PS fiber glass reinforced/PTFE	-	-	1
75	Washer	Aluminium	10x16x1,5	EBARA DRAWING	1
76	Washer	Aluminium	10x16x1,5	EBARA DRAWING	1
89	Washer	EN 1.4301 (AISI 304)	12x21x1 - [UP to 0,6kW]	EBARA DRAWING	1
			14,1x22x1 - [0,75 kW and above]		
91	Washer	EN 1.4301 (AISI 304)	8,4x17x1,6 - [UP to 0,6kW]	UNI EN ISO 7089	1
			10,2x20x2,5 - [0,75 kW and above]	EBARA DRAWING	
92	Lip seal	NBR	12x24x4	EBARA DRAWING	1
			17x32x6		
94	O-ring [7]	NBR	34.65x1.78	-	1

[1] See CONSTRUCTION 3

[2] See CONSTRUCTION 4

[3] Only for three phase

[4] See CONSTRUCTION 3

[5] Only for single phase

[6] Spacer only for A/8 3~model

[7] Only for A/126, B/126, AM/156, A/156, BM/156, B/156 models

(3/4)

# Construction

Pump name COMPACT A/106 IE3

Customer	Date 2024-07-01	Company
Contact	Item no.	Issued by
Phone	Project	Phone
E-mail	Project ID Project redenumit 2024-07-01 15:55:48	E-mail

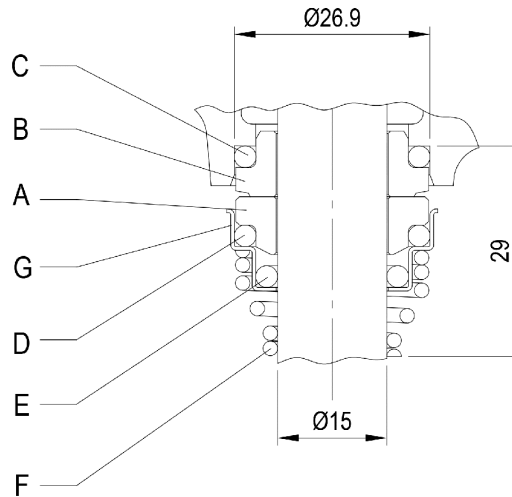
Pump type	POS. 7	POS. 9	POS. 62
COMPACT A/46	2	1	1
COMPACT A/66	3	2	2
COMPACT A/86	4	3	3
COMPACT A/106	5	4	4
COMPACT A/126	6	5	5
COMPACT A/156	7	6	6

(4/4)

# Construction

Pump name COMPACT A/106 IE3

Customer	Date 2024-07-01	Company
Contact	Item no.	Issued by
Phone	Project	Phone
E-mail	Project ID Proiect redenumit 2024-07-01 15:55:48	E-mail



REF	PART NAME	MATERIAL Standard version
A	Rotary seal ring	Ceramic
B	Stationary seal ring	Carbon Graphite
C	O Ring	NBR
D	O Ring	NBR
E	O Ring	NBR
F	Self driving spring	AISI 316
G	Frame	AISI 304