

Technical Data

Pump Name

COMPACT B/12

| | | | |
|----------|------------|---------------------------------------|-----------|
| Customer | Date | 2024-06-13 | Company |
| Contact | Item no. | | Issued by |
| Phone | Project | | Phone |
| E-mail | Project ID | Proiect redenumit 2024-06-13 13:12:02 | E-mail |

Requested data

| | | | | |
|---|---------------------------|------------------------------|--------------------|----------------|
| 1 | Pump type | MULTISTAGE CENTRIFUGAL PUMPS | Fluid | Water |
| 2 | Number of pumps / Reserve | 1 / 0 | Liquid temperature | °C 20 |
| 3 | Flow | m³/h | Kin. viscosity | mm²/s 1.005 |
| 4 | Head | m | Vapour pressure | bar 0.0234 |
| 5 | Geodetic head | m | PH value | |
| 6 | Inlet pressure (pin) | bar | Density | kg/m³ 998.3 |
| 7 | Available system NPSH | | Solids | Weight % 0 |
| 8 | Ambient temperature | °C 20 | | |

Pump

| | | | | | |
|----|----------------------|--------------------------------------|-----------------------------------|-----------|-------------|
| 9 | Pump Name | COMPACT B/12 | Frequency | Hz | 50 |
| 10 | Design | MULTISTAGE CENTRIFUGAL PUMPS | Installation type | | STANDARD |
| 11 | Manufacturer | EBARA | Impeller Diameter | Max. | mm 102 |
| 12 | Speed | rpm 2800 | | Designed | mm 102 |
| 13 | No. of Stage | 4 | | Min. | mm 102 |
| 14 | Connection | Suction side UNI ISO 228 | Flow | Operating | m³/h |
| 15 | Connection | Discharge side UNI ISO 228 | | Max- | m³/h 7.2 |
| 16 | Max Working Pressure | bar 10 | | Min- | m³/h 1.8 |
| 17 | Shut-off head | bar 4.99 | Head | Operating | m |
| 18 | Total weight | kg See the table of "Dimensions". | | - (Qmax.) | m 18.0 |
| 19 | Shaft power | kW | | - (Qmin.) | m 47.6 |
| 20 | | | Max. Shaft Power at max. impeller | kW | |
| 21 | Required pump NPSH | m | Efficiency | % | |

Materials

| | | | | |
|----|----------|-------------------------------|--|--|
| 22 | Impeller | PPE+PS Glass Fiber Reinforced | | |
| 23 | Casing | Cast iron | | |
| 24 | Shaft | AISI 416 | | |
| 25 | | | | |
| 26 | | | | |
| 27 | | | | |

Motor

| | | | | |
|----|----------------------|-------------------------------------|------------------|-----------|
| 28 | Manufacturer | EPE Standard | Insulation class | F |
| 29 | Type | TEFC_COMPACT BM/12_230_Single Phase | Phases | 1~ |
| 30 | Specific design | IE2 / 50 Hz / Pole pairs 1 | Frame size | |
| 31 | Rated power | kW 0.9 | Weight | kg |
| 32 | Number of poles | 2 | Electric voltage | V 230 |
| 33 | Speed | rpm 2800 | Electric current | A 5.43 |
| 34 | Degree of protection | IP 44 | | |
| 35 | | | | |

Remarks

Performance Curve

Pump Name

COMPACT B/12

| | | | |
|----------|------------|---------------------------------------|-----------|
| Customer | Date | 2024-06-13 | Company |
| Contact | Item no. | | Issued by |
| Phone | Project | | Phone |
| E-mail | Project ID | Proiect redenumit 2024-06-13 13:12:02 | E-mail |

Requested data

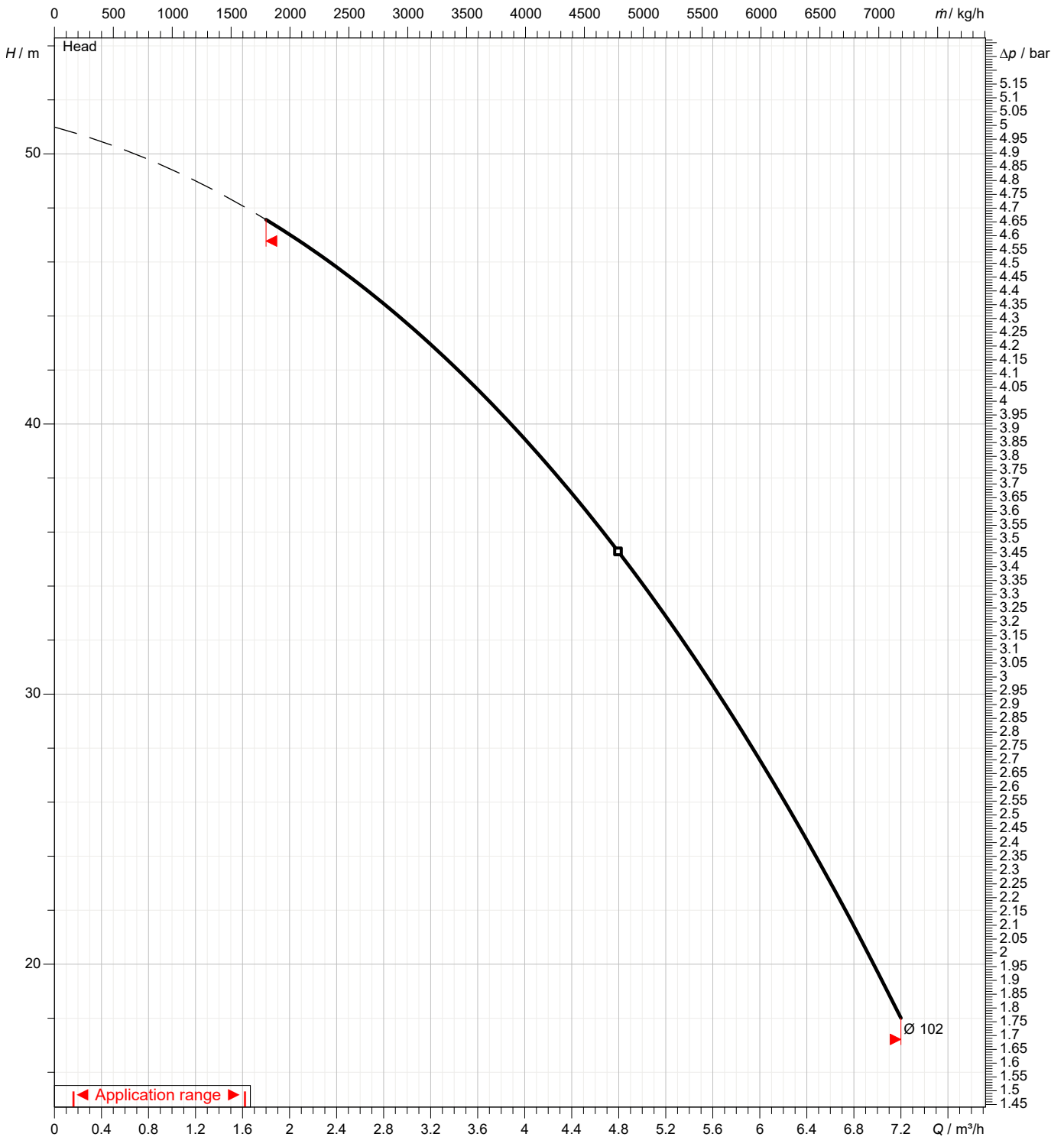
| | | | |
|---|---------------|------|--|
| 1 | Flow | m³/h | |
| 2 | Head | m | |
| 3 | Geodetic head | m | |

Pump

| | | | | | |
|----------------------------|------|-----|-----------------|-----|------|
| Operating flow | m³/h | | Frequency | Hz | 50 |
| Operating head | m | | Number of poles | | 2 |
| Impeller diameter designed | mm | 102 | Speed | rpm | 2800 |

Test standard: ISO 9906:2012 - Grade3B

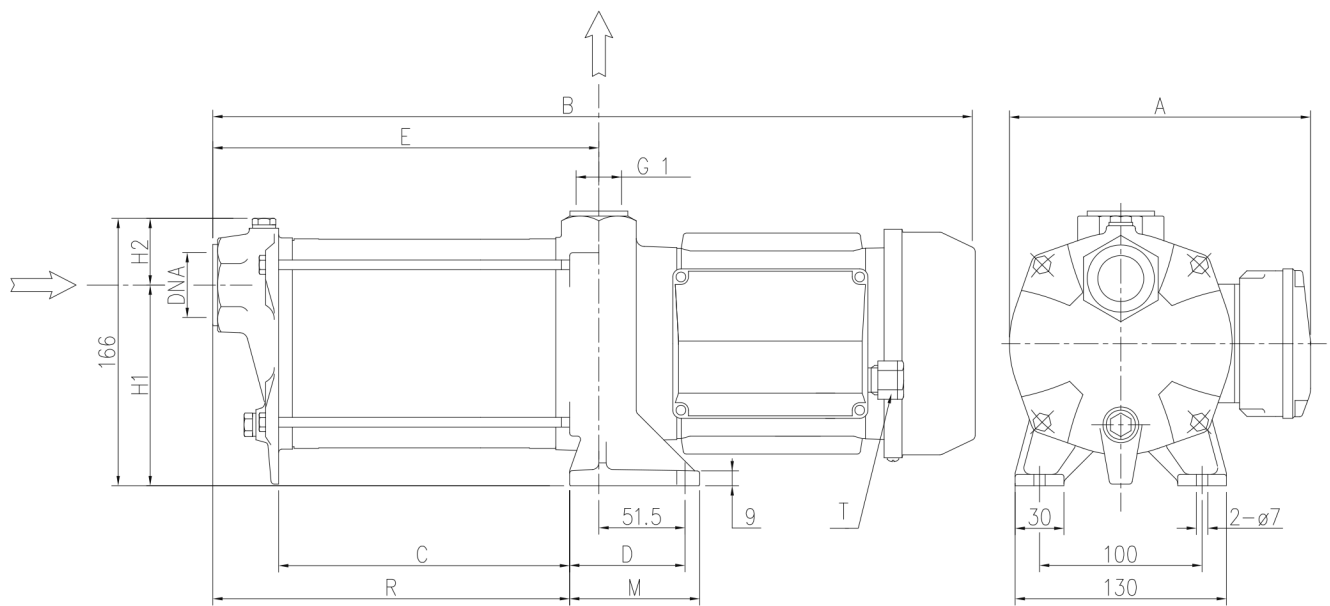
Water; 20°C; 998.3kg/m³; 1mm²/s



Dimensions

Pump name COMPACT B/12

| | | |
|----------|--|-----------|
| Customer | Date 2024-06-13 | Company |
| Contact | Item no. | Issued by |
| Phone | Project | Phone |
| E-mail | Project ID Proiect redenumit 2024-06-13 13:12:02 | E-mail |



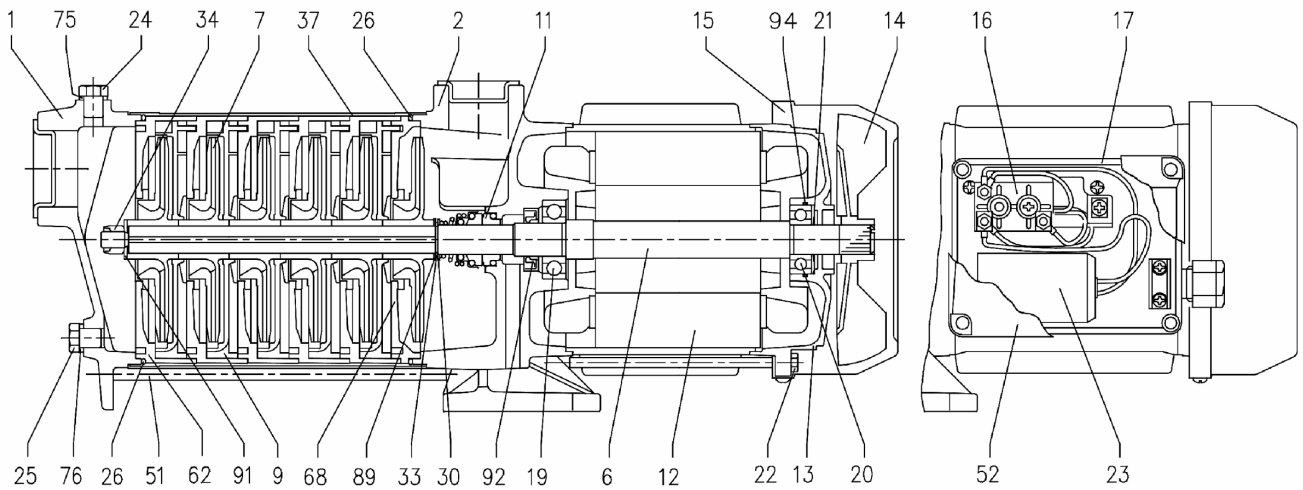
| Dimensions in | | mm | | | | | | |
|---------------|------------|---------|--|--|--|--|--|--|
| 1 | A | 169 | | | | | | |
| 2 | B | 412 | | | | | | |
| 3 | C | 116 | | | | | | |
| 4 | D | 69.5 | | | | | | |
| 5 | DNA | G 1 1/4 | | | | | | |
| 6 | E | 172.5 | | | | | | |
| 7 | H1 | 127.5 | | | | | | |
| 8 | H2 | 42.5 | | | | | | |
| 9 | M | 80 | | | | | | |
| 10 | R | 154.5 | | | | | | |
| 11 | T | M16X1.5 | | | | | | |
| 12 | Weight P&M | 15.7 kg | | | | | | |
| 13 | | | | | | | | |
| 14 | | | | | | | | |
| 15 | | | | | | | | |

(1/4)

Construction

Pump name COMPACT B/12

| | | |
|----------|--|-----------|
| Customer | Date 2024-06-13 | Company |
| Contact | Item no. | Issued by |
| Phone | Project | Phone |
| E-mail | Project ID Proiect redenumit 2024-06-13 13:12:02 | E-mail |



(2/4)**Construction**

Pump name COMPACT B/12

| | | | |
|----------|------------|---------------------------------------|-----------|
| Customer | Date | 2024-06-13 | Company |
| Contact | Item no. | | Issued by |
| Phone | Project | | Phone |
| E-mail | Project ID | Project redenumit 2024-06-13 13:12:02 | E-mail |

| N° | PART NAME | MATERIAL | Q.TY |
|----|--------------------------|------------------------------------|------|
| 1 | Suction casing | G20 | 1 |
| 2 | Delivery casing | G20 | 1 |
| 6 | Shaft with rotor | AISI 416 | 1 |
| 7 | Impeller | PPE+PS Glass Fibre Reinforced | [3] |
| 9 | Diffuser | PPE+PS Glass Fibre Reinforced | [3] |
| 11 | Mechanical seal [2] | Carbon/Ceramic/NBR | 1 |
| 12 | Motor frame with stator | - | 1 |
| 13 | Motor cover + Spacer [4] | Aluminium | 1 |
| 14 | Fan | PP | 1 |
| 15 | Fan cover | Fe P04 Zincate | 1 |
| 16 | Terminal board | - | 1 |
| 17 | Terminal box cover [2] | Aluminium PP [1] | 1 |
| 19 | Pump side ball bearing | - | 1 |
| 20 | Fan side ball bearing | - | 1 |
| 21 | Adjusting ring | Steel C70 | 1 |
| 22 | Tie rod | Fe 42 Zincate | 4 |
| 23 | Capacitor [1] | - | 1 |
| 24 | Priming plug | Brass | 1 |
| 25 | Drain plug | Brass | 1 |
| 26 | O-ring | NBR | 2 |
| 30 | Washer | AISI 304 | 1 |
| 33 | Seeger ring | AISI 304 | 1 |
| 34 | Impeller nut | AISI 304 | 1 |
| 37 | External pump casing | AISI 304 | 1 |
| 51 | Tie rod | Fe P04 Zincate | 4 |
| 52 | Capacitor box [1] | PP class V-0 | 1 |
| 62 | Stage housing | PPE+PS Glass Fibre Reinforced | [3] |
| 68 | Stage | PPE+PS Glass Fibre Reinforced/PTFE | 1 |
| 75 | Washer | AISI 304 | 1 |
| 76 | Washer | AISI 304 | 1 |
| 89 | Washer | AISI 304 | 1 |
| 91 | Washer | AISI 304 | 1 |
| 92 | Lip seal | - | 1 |
| 94 | O-ring [5] | NBR | 1 |

[1] Only for single phase

[2] See CONSTRUCTION 4

[3] See CONSTRUCTION 3

[4] Spacer – Only for A/8 3~model

[5] Only for A/12, B/12, A/15, AM/15, B/15, BM/15 models

(3/4)

Construction

Pump name COMPACT B/12

| | | |
|----------|--|-----------|
| Customer | Date 2024-06-13 | Company |
| Contact | Item no. | Issued by |
| Phone | Project | Phone |
| E-mail | Project ID Proiect redenumit 2024-06-13 13:12:02 | E-mail |

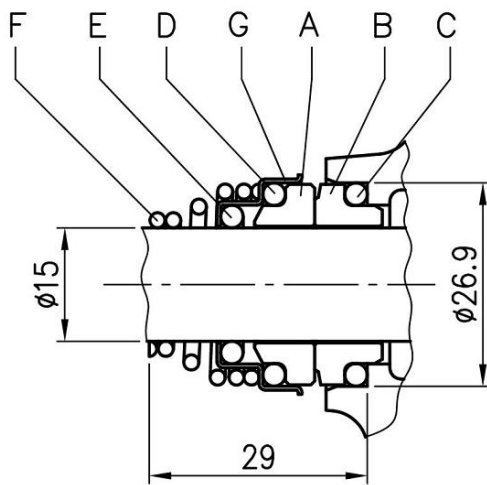
| PUMP | QUANTITY FOR MODEL | | |
|--------------|--------------------|---------------|---------------------|
| | 7 Impeller | 9 Diffuser | 62 Stage housing |
| COMPACT A/4 | 2 | 1 | 1 |
| COMPACT A/6 | 3 | 2 | 2 |
| COMPACT A/8 | 4 | 3 | 3 |
| COMPACT A/10 | 5 | 4 | 4 |
| COMPACT A/12 | 6 | 5 | 5 |
| COMPACT A/15 | 7 | 6 | 6 |
| COMPACT B/12 | 4 | 3 | 3 |
| COMPACT B/15 | 5 | 4 | 4 |

(4/4)

Construction

Pump name COMPACT B/12

| | | |
|----------|--|-----------|
| Customer | Date 2024-06-13 | Company |
| Contact | Item no. | Issued by |
| Phone | Project | Phone |
| E-mail | Project ID Proiect redenumit 2024-06-13 13:12:02 | E-mail |



| REF | PART NAME | MATERIAL product standard |
|-----|----------------------|---------------------------|
| A | Rotary seal ring | ceramic |
| B | Stationary seal ring | carbon graphite |
| C | O Ring | NBR |
| D | O Ring | NBR |
| E | O Ring | NBR |
| F | Self driving spring | AISI 316 |
| G | Frame | AISI 304 |