

# Technical Data

Pump Name

DWC-V 500/3.06

Customer	Date	2024-07-01	Company
Contact	Item no.		Issued by
Phone	Project		Phone
E-mail	Project ID	Proiect redenumit 2024-07-01 19:11:46	E-mail

## Requested data

1	Pump type	CENTRIFUGAL PUMPS	Fluid	Water
2	Number of pumps / Reserve	1 / 0	Liquid temperature	°C 20
3	Flow m³/h		Kin. viscosity	mm²/s 1.005
4	Head m		Vapour pressure	bar 0.0234
5	Geodetic head m		PH value	
6	Inlet pressure (pin) bar	0	Density	kg/m³ 998.3
7	Available system NPSH		Solids	Weight % 0
8	Ambient temperature °C	20		

## Pump

9	Pump Name	DWC-V 500/3.06	Frequency	Hz 60
10	Design	CENTRIFUGAL PUMPS	Installation type	Victaulic Connection
11	Manufacturer	EBARA	Impeller Diameter	Max. mm 125
12	Speed rpm	3450		Designed mm 125
13	No. of Stage	1		Min. mm 125
14	Connection Suction side		Flow	Operating m³/h
15	Connection Discharge side			Max- m³/h 51
16	Max Working Pressure bar	8		Min- m³/h 12
17	Shut-off head bar	2.64	Head	Operating m
18	Total weight kg	See the table of "Dimensions".		- (Qmax.) m 9.7
19	Shaft power kW			- (Qmin.) m 25.8
20			Max. Shaft Power at max. impeller	kW 2.36
21	Required pump NPSH m		Efficiency	%

## Materials

22	Impeller	AISI 304	
23	Casing	AISI 304	
24	Shaft	AISI 304 (wet extension)	
25			
26			
27			

## Motor

28	Manufacturer	EPE Standard	Insulation class	F
29	Type	TEFC_DWC 500/3.06_220_Three Phase	Phases	3~
30	Specific design	IE2 / 60 Hz / Pole pairs 1	Frame size	
31	Rated power kW	3	Weight	kg
32	Number of poles	2	Electric voltage	V 220
33	Speed rpm	3450	Electric current	A 10.2
34	Degree of protection	IP 55		
35				

## Remarks

# Performance Curve

Pump Name

DWC-V 500/3.06

Customer	Date	2024-07-01	Company
Contact	Item no.		Issued by
Phone	Project		Phone
E-mail	Project ID	Proiect redenumit 2024-07-01 19:11:46	E-mail

### Requested data

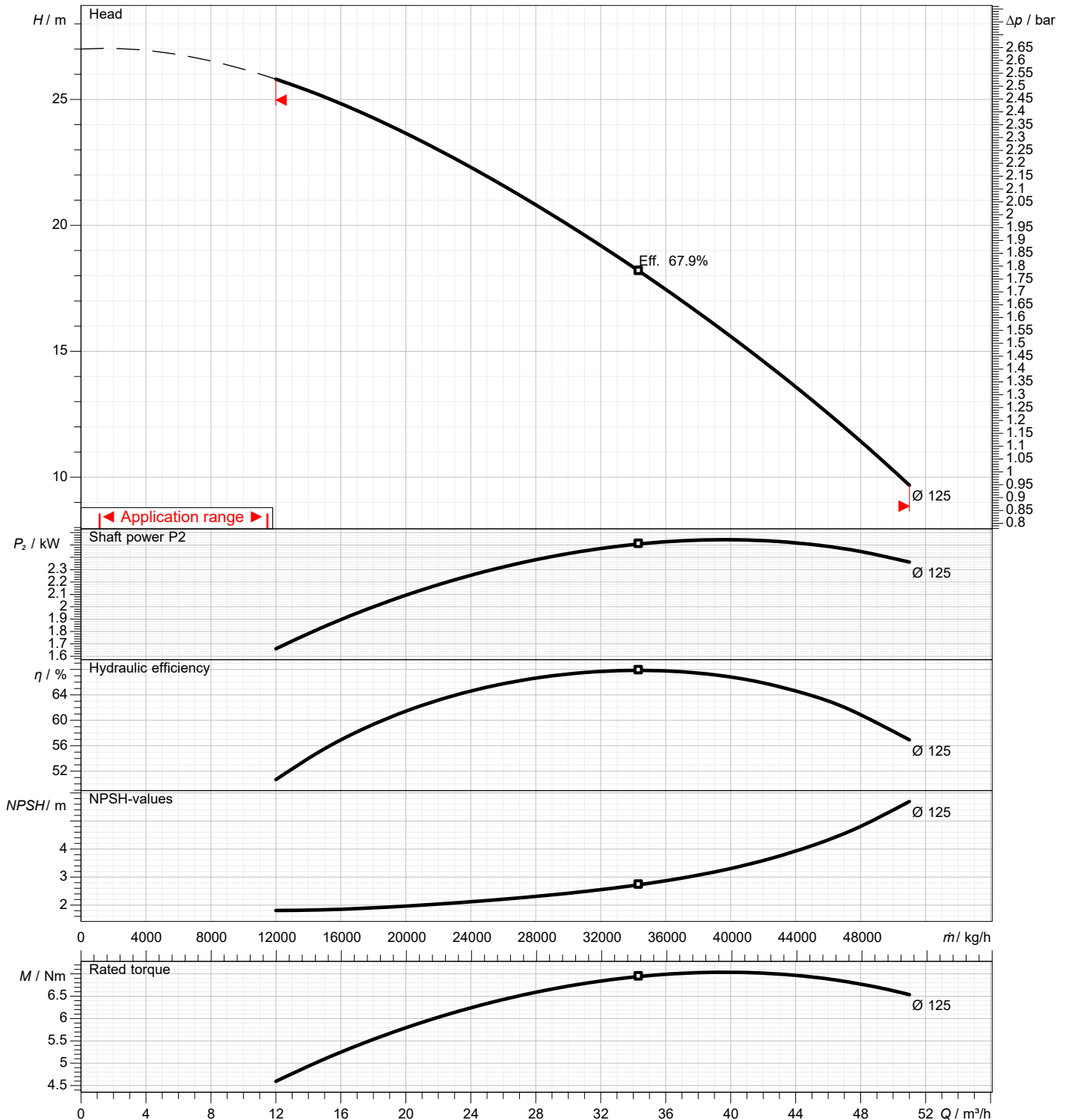
1	Flow	m³/h	
2	Head	m	
3	Geodetic head	m	

### Pump

Operating flow	m³/h		Frequency	Hz	60
Operating head	m		Number of poles		2
Impeller diameter designed	mm	125	Speed	rpm	3450

Test standard: ISO 9906:2012 - Grade3B

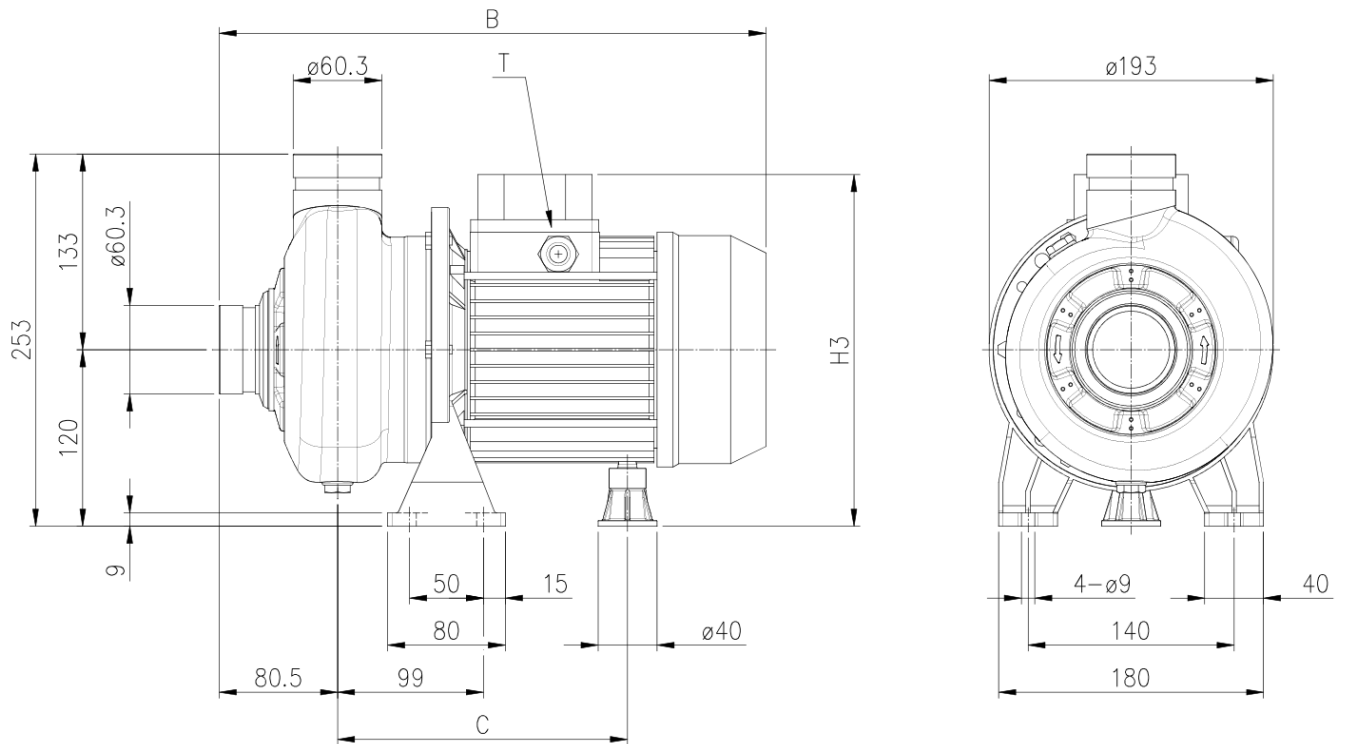
Water; 20°C; 998.3kg/m³; 1mm²/s



# Dimensions

Pump Name **DWC-V 500/3.06**

Customer	Date 2024-07-01	Company
Contact	Item no.	Issued by
Phone	Project	Phone
E-mail	Project ID Proiect redenumit 2024-07-01 19:11:46	E-mail



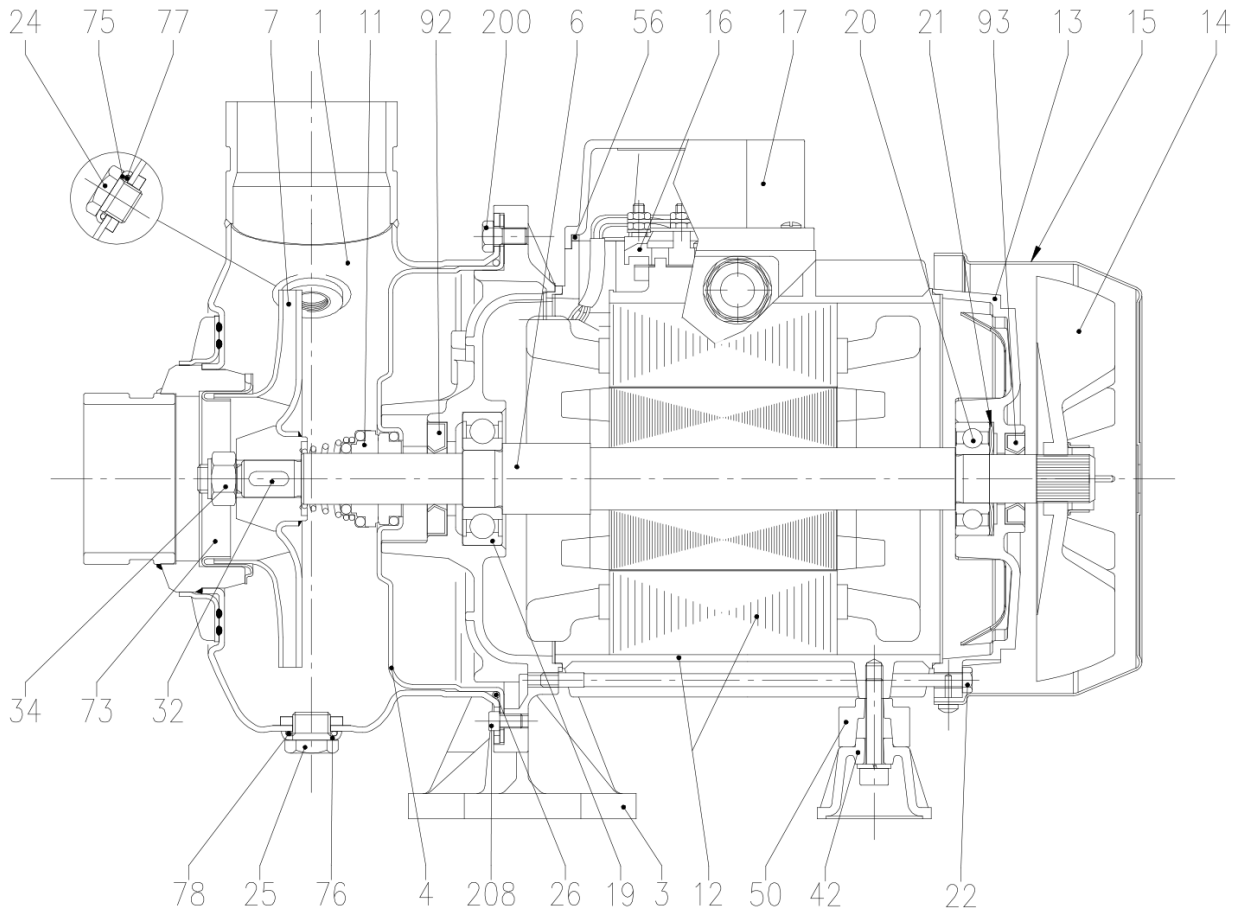
Dimensions in		mm						
1	B	457						
2	C	471						
3	H3	244						
4	T	PG 13,5						
5	Weight P&M	22 kg						
6								
7								
8								
9								
10								
11								
12								
13								
14								
15								

(1/3)

# Construction

Pump Name **DWC-V 500/3.06**

Customer	Date 2024-07-01	Company
Contact	Item no.	Issued by
Phone	Project	Phone
E-mail	Project ID Proiect redenumit 2024-07-01 19:11:46	E-mail



(2/3)

# Construction

Pump Name DWC-V 500/3.06

Customer	Date	2024-07-01	Company
Contact	Item no.		Issued by
Phone	Project		Phone
E-mail	Project ID	Project redenumit 2024-07-01 19:11:46	E-mail

N°	PART NAME	MATERIAL	DIMENSIONS	STANDARD	Q.TY
1	Casing	EN 1.4301 (AISI 304)			1
3	Motor bracket	Aluminium			1
4	Casing cover	EN 1.4301 (AISI 304)			1
6	Shaft with rotor	EN 1.4301(AISI 304)-Wet extension			1
7	Impeller	EN 1.4301 (AISI 304)			1
11	Mechanical seal [3]	Ceramic / Carbon / EPDM			1
12	Motor frame with stator	-			1
13	Motor cover	Aluminium			1
14	Fan	PA			1
15	Fan cover	Fe P04 Zincate			1
16	Terminal board	-			1
17	Terminal board cover	Aluminium			1
19	Bearing	-			1
20	Bearing	-			1
21	Adjusting ring	Steel C70			1
22	Tie rod	Fe 42 Zincate		EBARA drawing	4
24	Priming plug	EN 1.4301 (AISI 304)	G 1/4"	EBARA drawing	1
25	Draing plug	EN 1.4301 (AISI 304)	G 1/4"	EBARA drawing	1
26	O-ring [2]	EPDM / FPM	148.8x3.53	OR 4587	1
32	Key	EN 1.4401 (AISI 316)	5x5x16	UNI 6604	1
34	Impeller nut	EN 1.4301 (AISI 304)	M10x1.25	UNI 7474	1
42	Foot	Aluminium / Zincate steel		EBARA drawing	1
50	Spacer	-			[1]
56	Box gasket	NBR			1
73	Casing ring	EN 1.4301 (AISI 304)			1
75	Washer	EN 1.4301 (AISI 304)		EBARA drawing	1
76	Washer	EN 1.4301 (AISI 304)		EBARA drawing	1
77	O-ring [2]	EPDM / FPM	13.1x2.62	OR 117	1
78	O-ring [2]	EPDM / FPM	13.1x2.62	OR 117	1
92	Lip seal	-	18x40x7	DIN 3760 without spring	1
93	Lip seal	Up to 1.5 kW For 2.2 and 3.0 kW	17x32x7 25x40x7	DIN 3760 without spring	1
200	Screw	Stainless steel A2-70 class ISO 3506/1	M 6x12	UNI 5739	6
208	Screw	Stainless steel A2-70 class ISO 3506/1	M 5x12	UNI 5931	4

[1] Q.TY=1 only for 1,1 kW and 1,5 kW

[2] FPM for H-HS-HW-HSW-Q1AVGG

EPDM for Standard-AQ1EGG-VAEGG-Q1U3EGG-U3BEGG

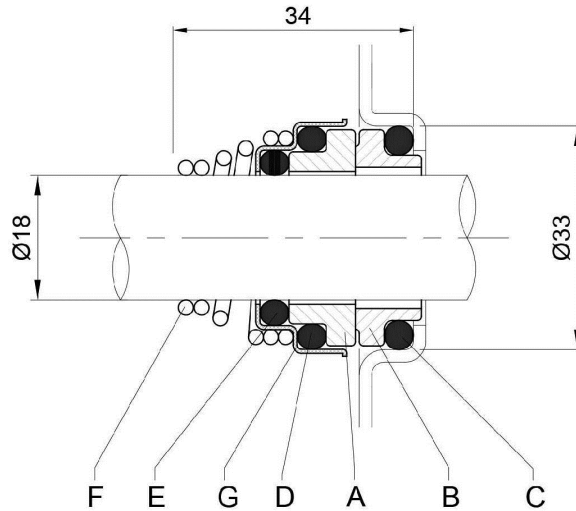
[3] See **CONSTRUCTION 3**

(3/3)

# Construction

Pump Name **DWC-V 500/3.06**

Customer	Date 2024-07-01	Company
Contact	Item no.	Issued by
Phone	Project	Phone
E-mail	Project ID Proiect redenumit 2024-07-01 19:11:46	E-mail



REF	PART NAME	MATERIAL Standard
A	Rotary seal ring	Ceramic
B	Stationary seal ring	Carbon graphite
C	O-ring	EPDM
D	O-ring	EPDM
E	O-ring	EPDM
F	Self driving spring	AISI 316
G	Frame	AISI 304