

# Technical Data

Pump Name

EGO EASY 32-100F

Customer	Date	2024-06-13	Company
Contact	Item no.		Issued by
Phone	Project		Phone
E-mail	Project ID	Proiect redenumit 2024-06-13 20:42:34	E-mail

## Requested data

1	Pump type	FLANGED CIRCULATORS	Fluid	Water
2	Number of pumps / Reserve	1 / 0	Liquid temperature	°C
3	Flow	m³/h	Kin. viscosity	mm²/s
4	Head	m	Vapour pressure	bar
5	Geodetic head	m	PH value	
6	Inlet pressure (pin)	bar	Density	kg/m³
7	Available system NPSH		Solids	Weight %
8	Ambient temperature	°C		

## Pump

9	Pump Name	EGO EASY 32-100F	Frequency	Hz	50	
10	Design	FLANGED CIRCULATORS	Installation type		Single Circolation	
11	Manufacturer	EBARA	Impeller Diameter	Max.	mm	
12	Speed	rpm		4400	Designed	mm
13	No. of Stage			1	Min.	mm
14	Connection	Suction side	Flow	Operating	m³/h	
15	Connection	Discharge side		Max-	m³/h	10.8
16	Max Working Pressure	bar		10	Min-	m³/h
17	Shut-off head	bar	0.98	Head	Operating	m
18	Total weight	kg	See the table of "Dimensions".		- (Qmax.)	m
19	Shaft power	kW			- (Qmin.)	m
20			Max. Shaft Power at max. impeller	kW	0.18	
21	Required pump NPSH	m	Efficiency	%		

## Materials

22	Impeller	PES GF 30		
23	Casing	Gray cast iron with cataphoresis protection		
24	Shaft	AISI 420		
25				
26				
27				

## Motor

28	Manufacturer	EPE Standard	Insulation class	F	
29	Type	EGO EASY 32-100F_230_Single Phase	Phases	1~	
30	Specific design	- / 50 Hz / Pole pairs 1	Frame size		
31	Rated power	kW	Weight	kg	
32	Number of poles	2	Electric voltage	V	
33	Speed	rpm	4400	Electric current	A
34	Degree of protection	IP 44			
35					

## Remarks

# Performance curve

Pump name EGO EASY 32-100F

Customer	Date	2024-06-13	Company
Contact	Item no.		Issued by
Phone	Project		Phone
E-mail	Project ID	Proiect redenumit 2024-06-13 20:42:34	E-mail

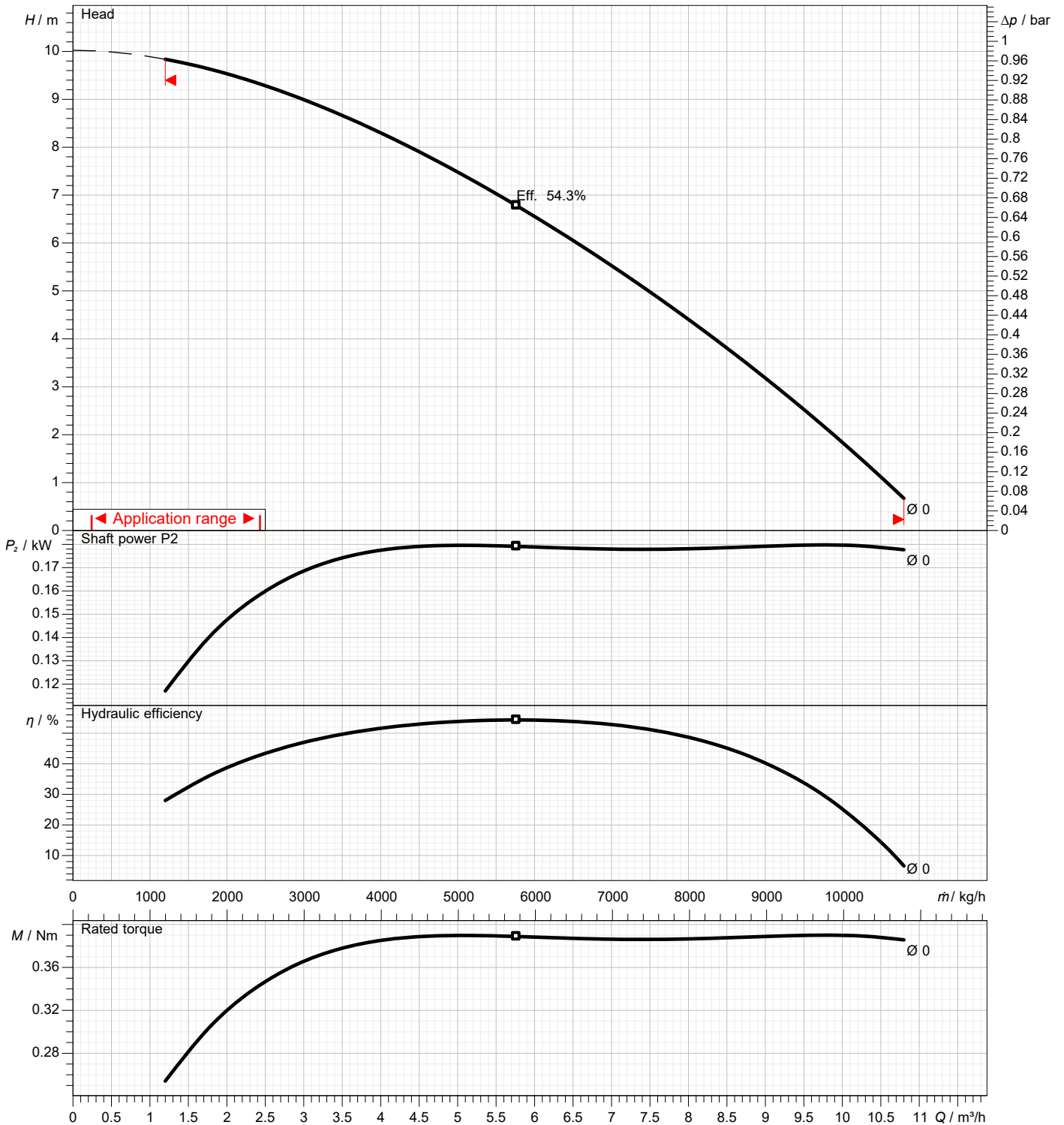
## Requested data

1	Flow	m <sup>3</sup> /h	
2	Head	m	
3	Geodetic head	m	

## Pump

Operating flow	m <sup>3</sup> /h		Impeller Diameter Designed	mm	
Operating head	m		Frequency	Hz	50
			Speed	rpm	4400

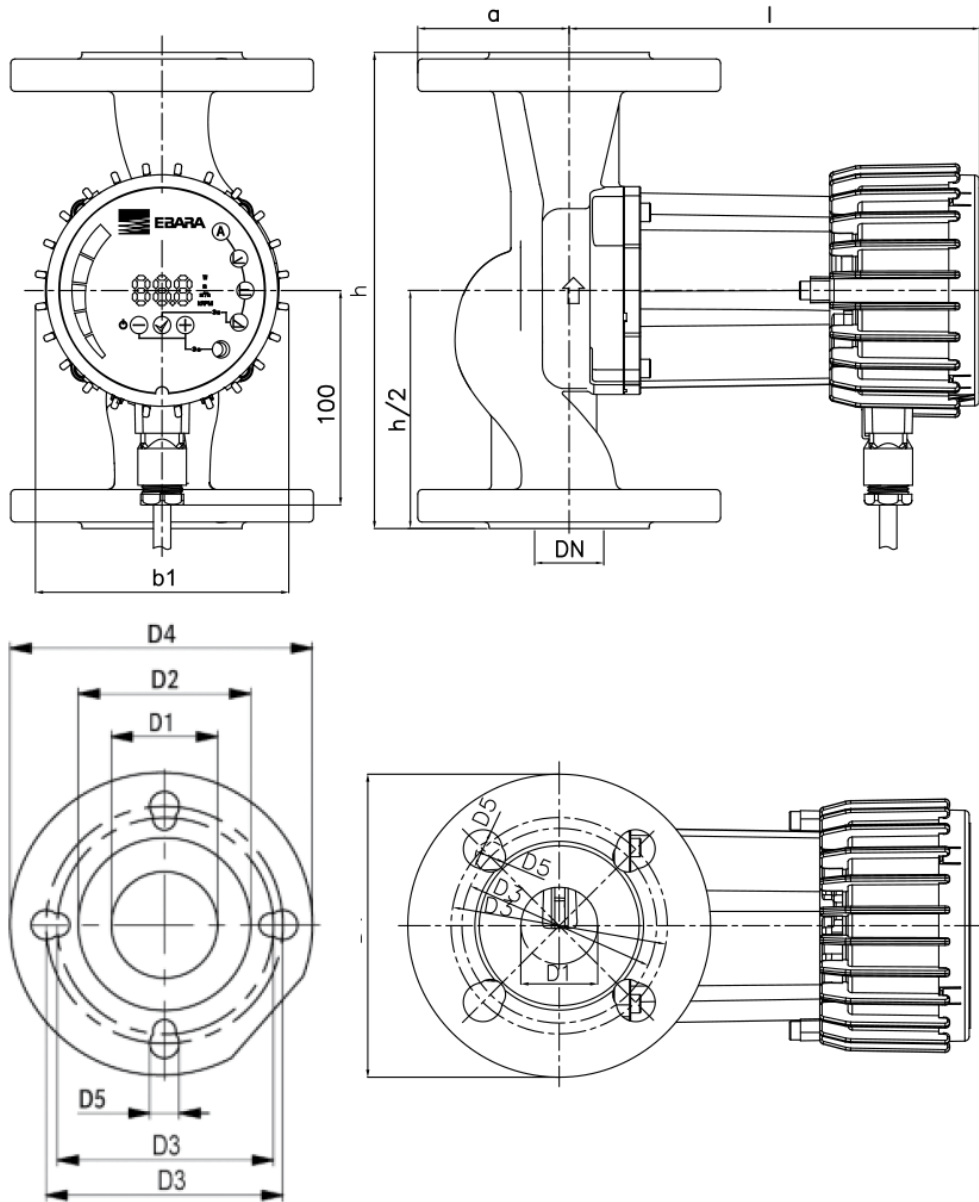
Water; 20°C; 998.3kg/m<sup>3</sup>; 1mm<sup>2</sup>/s



# Dimensions

Pump name EGO EASY 32-100F

Customer	Date 2024-06-13	Company
Contact	Item no.	Issued by
Phone	Project	Phone
E-mail	Project ID Proiect redenumit 2024-06-13 20:42:34	E-mail



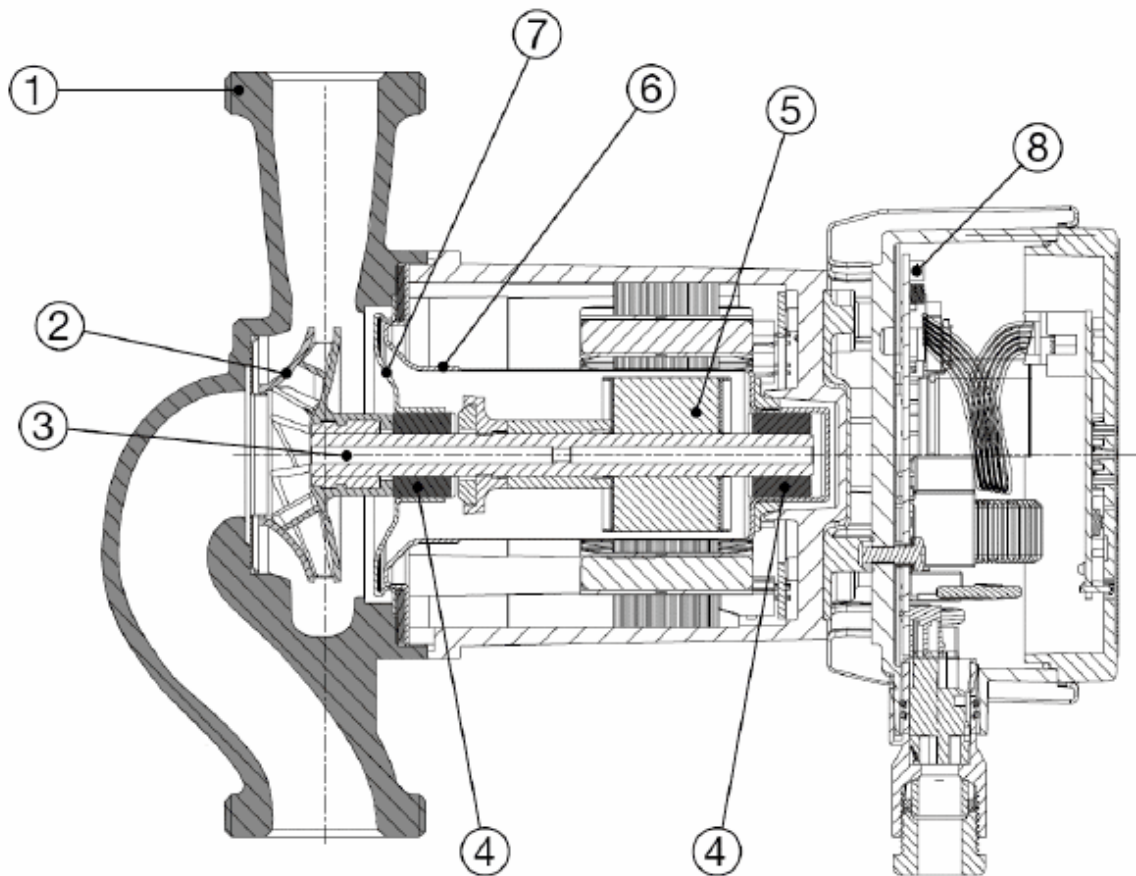
Dimensions in		mm						
1	a	70						
2	b1	117						
3	D1	32						
4	D2	74						
5	D3	90/100						
6	D4	140						
7	D5	14/19						
8	DN	32						
9	h	220						
10	l	190						
11	Weight P&M	7.4 kg						
12								
13								
14								
15								

(1/1)

# Construction

Pump name EGO EASY 32-100F

Customer	Date 2024-06-13	Company
Contact	Item no.	Issued by
Phone	Project	Phone
E-mail	Project ID Proiect redenumit 2024-06-13 20:42:34	E-mail



N°	Name	Material
1	Pump body	Cast iron with cataphoresis coating
2	Impeller	PES GF 30
3	Shaft	AISI 420
4	Bearings	Graphite
5	Rotor	Coated in Stainless Steel
6	Rotor can	AISI 316 Stainless Steel
7	Bearing plate	AISI 316 Stainless Steel
8	Electronic board	-