

Technical Data

Pump Name

EGO SLIM 50-180

Customer	Date	2024-06-13	Company
Contact	Item no.		Issued by
Phone	Project		Phone
E-mail	Project ID	Proiect redenumit 2024-06-13 20:42:34	E-mail

Requested data

1	Pump type	FLANGED CIRCULATORS	Fluid	Water
2	Number of pumps / Reserve	1 / 0	Liquid temperature	°C 20
3	Flow m³/h		Kin. viscosity	mm²/s 1.005
4	Head m		Vapour pressure	bar 0.0234
5	Geodetic head m		PH value	
6	Inlet pressure (pin) bar	0	Density	kg/m³ 998.3
7	Available system NPSH		Solids	Weight % 0
8	Ambient temperature °C	20		

Pump

9	Pump Name	EGO SLIM 50-180	Frequency	Hz 50	
10	Design	FLANGED CIRCULATORS	Installation type	Single Circolation	
11	Manufacturer	EBARA	Impeller Diameter	Max. mm 0	
12	Speed rpm	4900		Designed mm	
13	No. of Stage	1		Min. mm	0
14	Connection Suction side		Flow	Operating m³/h	
15	Connection Discharge side			Max- m³/h 42	
16	Max Working Pressure bar	10		Min- m³/h 6	
17	Shut-off head bar	1.56	Head	Operating m	
18	Total weight kg	See the table of "Dimensions".		- (Qmax.) m 0.6	
19	Shaft power kW			- (Qmin.) m 14.1	
20			Max. Shaft Power at max. impeller	kW 0.83	
21	Required pump NPSH m		Efficiency	%	

Materials

22	Impeller	PES GF 30	
23	Casing	Gray cast iron with cataphoresis protection	
24	Shaft	AISI 420	
25			
26			
27			

Motor

28	Manufacturer	EPE Standard	Insulation class	F
29	Type	EGO SLIM 50-180_230_Single Phase	Phases	1~
30	Specific design	- / 50 Hz / Pole pairs 1	Frame size	
31	Rated power kW		Weight	kg
32	Number of poles	2	Electric voltage	V 230
33	Speed rpm	4900	Electric current	A 3.7
34	Degree of protection	IP 44		
35				

Remarks

Performance curve

Pump name EGO SLIM 50-180

Customer	Date	2024-06-13	Company
Contact	Item no.		Issued by
Phone	Project		Phone
E-mail	Project ID	Project redenumit 2024-06-13 20:42:34	E-mail

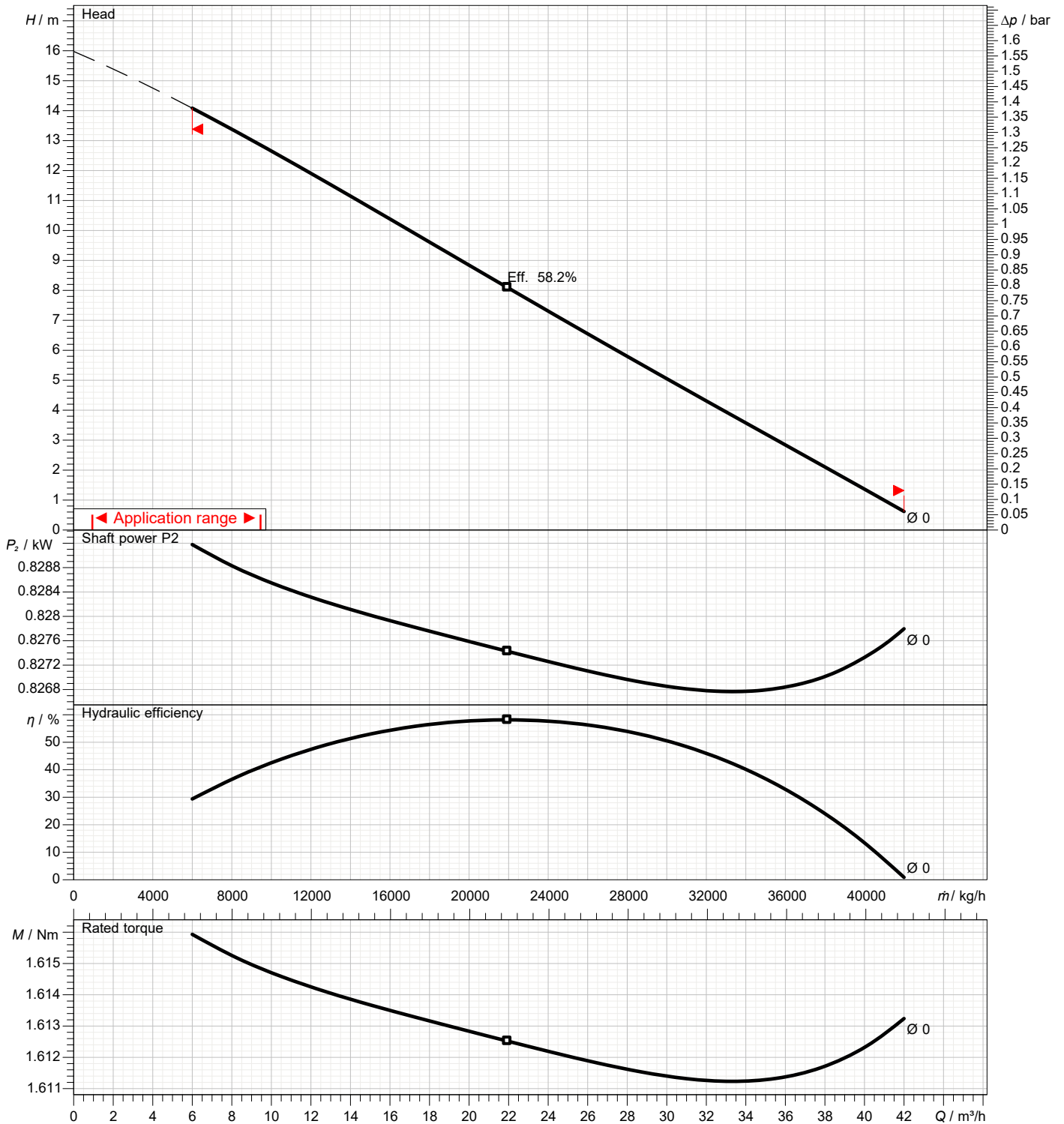
Requested data

1	Flow	m ³ /h	
2	Head	m	
3	Geodetic head	m	

Pump

Operating flow	m ³ /h		Impeller Diameter Designed	mm	
Operating head	m		Frequency	Hz	50
			Speed	rpm	4900

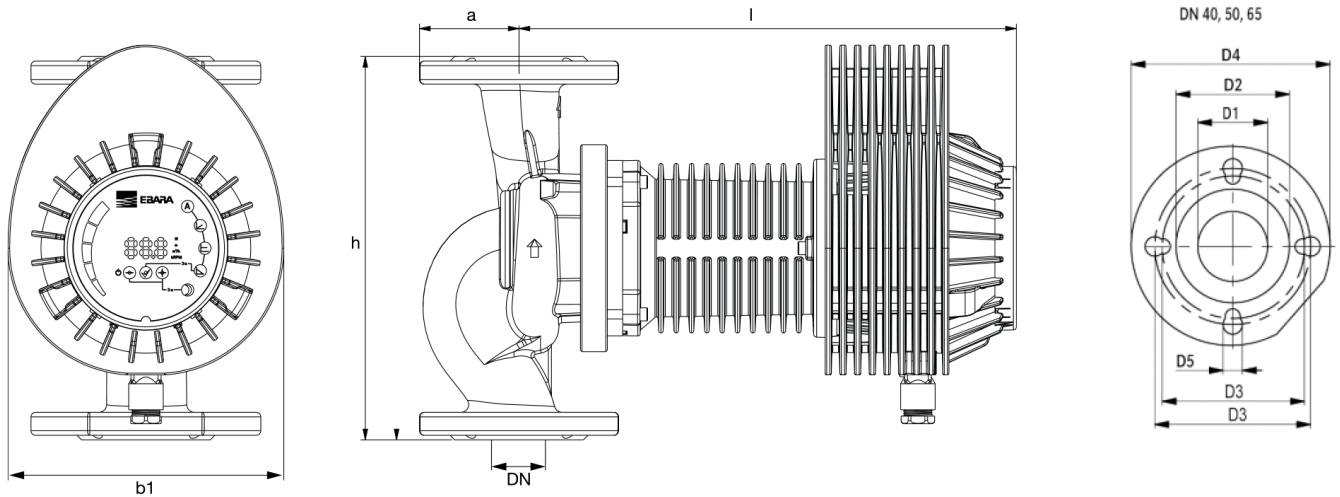
Water; 20°C; 998.3kg/m³; 1mm²/s



Dimensions

Pump name EGO SLIM 50-180

Customer	Date 2024-06-13	Company
Contact	Item no.	Issued by
Phone	Project	Phone
E-mail	Project ID Proiect redenumit 2024-06-13 20:42:34	E-mail



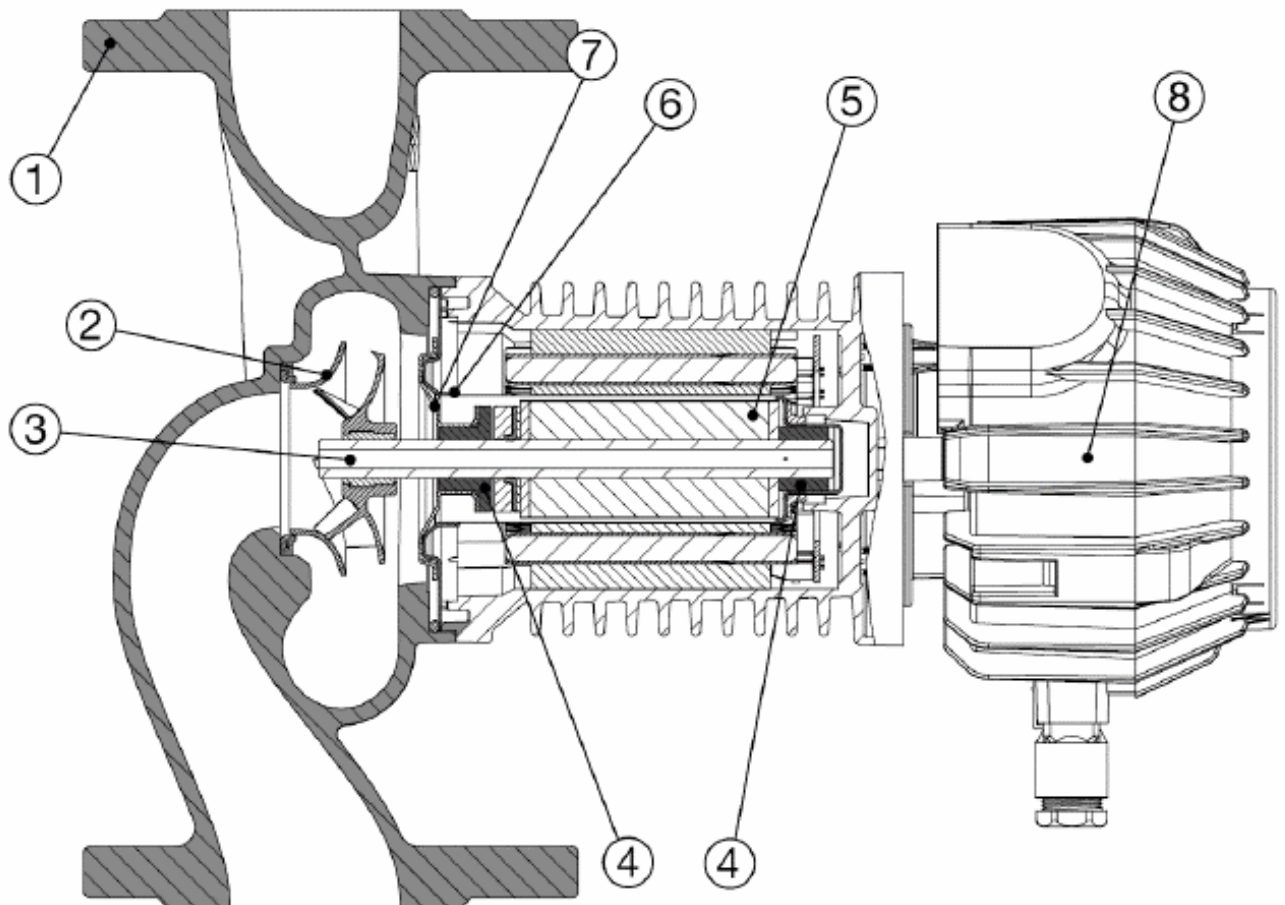
Dimensions in		mm						
1	a	72						
2	b1	182						
3	D1	50						
4	D2	98						
5	D3	100/125						
6	D4	165						
7	D5	14/19						
8	DN	50						
9	h	280						
10	l	311						
11	Weight P&M	16 kg						
12								
13								
14								
15								

(1/1)

Construction

Pump name EGO SLIM 50-180

Customer	Date 2024-06-13	Company
Contact	Item no.	Issued by
Phone	Project	Phone
E-mail	Project ID Proiect redenumit 2024-06-13 20:42:34	E-mail



N°	Name	Material
1	Pump body	Cast iron with cataphoresis coating
2	Impeller	PES GF 30
3	Shaft	AISI 420
4	Bearings	Graphite
5	Rotor	Coated in Stainless Steel
6	Rotor can	AISI 316 Stainless Steel
7	Bearing plate	AISI 316 Stainless Steel
8	Electronic board	-