

# Technical Data

Pump Name

EVMSG-K15 3N5Q1BEGE/3.0 TT

|          |            |                                       |           |
|----------|------------|---------------------------------------|-----------|
| Customer | Date       | 2024-06-14                            | Company   |
| Contact  | Item no.   |                                       | Issued by |
| Phone    | Project    |                                       | Phone     |
| E-mail   | Project ID | Proiect redenumit 2024-06-14 17:13:34 | E-mail    |

## Requested data

|   |                           |                          |                    |          |
|---|---------------------------|--------------------------|--------------------|----------|
| 1 | Pump type                 | VERTICAL MULTISTAGE PUMP | Fluid              | Water    |
| 2 | Number of pumps / Reserve | 1 / 0                    | Liquid temperature | °C       |
| 3 | Flow                      | m³/h                     | Kin. viscosity     | mm²/s    |
| 4 | Head                      | m                        | Vapour pressure    | bar      |
| 5 | Geodetic head             | m                        | PH value           |          |
| 6 | Inlet pressure (pin)      | bar                      | Density            | kg/m³    |
| 7 | Available system NPSH     |                          | Solids             | Weight % |
| 8 | Ambient temperature       | °C                       |                    |          |

## Pump

|    |                      |                            |                                   |           |                        |      |      |
|----|----------------------|----------------------------|-----------------------------------|-----------|------------------------|------|------|
| 9  | Pump Name            | EVMSG-K15 3N5Q1BEGE/3.0 TT | Frequency                         | Hz        | 50                     |      |      |
| 10 | Design               | VERTICAL MULTISTAGE PUMP   | Installation type                 |           | Oval flange (STANDARD) |      |      |
| 11 | Manufacturer         | EBARA                      | Impeller Diameter                 | Max.      | mm                     |      |      |
| 12 | Speed                | rpm                        |                                   | 2900      | Designed               | mm   |      |
| 13 | No. of Stage         | 3                          |                                   | Min.      | mm                     | 107  |      |
| 14 | Connection           | Suction side               | Flow                              | Operating | m³/h                   |      |      |
| 15 | Connection           | Discharge side             |                                   | Max-      | m³/h                   | 24   |      |
| 16 | Max Working Pressure | bar                        |                                   | 16        | Min-                   | m³/h | 7.8  |
| 17 | Shut-off head        | bar                        | 4.38                              | Head      | Operating              | m    |      |
| 18 | Total weight         | kg                         | See the table of "Dimensions".    |           | - (Qmax.)              | m    | 25.4 |
| 19 | Shaft power          | kW                         |                                   |           | - (Qmin.)              | m    | 41.4 |
| 20 |                      |                            | Max. Shaft Power at max. impeller | kW        |                        | 2.67 |      |
| 21 | Required pump NPSH   | m                          | Efficiency                        | %         |                        |      |      |

## Materials

|    |                     |           |  |  |
|----|---------------------|-----------|--|--|
| 22 | Impeller            | AISI 304  |  |  |
| 23 | Intermediate casing | AISI 304  |  |  |
| 24 | Bottom casing       | Cast iron |  |  |
| 25 | Shaft               | AISI 304  |  |  |
| 26 | O-ring              | EPDM      |  |  |
| 27 |                     |           |  |  |

## Motor

|    |                      |  |                  |                  |     |
|----|----------------------|--|------------------|------------------|-----|
| 28 | Manufacturer         | ETM                                    | Insulation class | F                |     |
| 29 | Type                 | TEFC_EVMS-K15 3/3.0 TT_400_Three Phase | Phases           | 3~               |     |
| 30 | Specific design      | IE3 / 50 Hz / Pole pairs 1             | Frame size       | 100              |     |
| 31 | Rated power          | kW                                     | 3                | Weight           | kg  |
| 32 | Number of poles      | 2                                      | Electric voltage | V                | 400 |
| 33 | Speed                | rpm                                    | 2890             | Electric current | A   |
| 34 | Degree of protection | IP 55                                  |                  |                  |     |
| 35 |                      |  |                  |                  |     |

## Remarks

# Performance Curve

Pump Name

EVMSG-K15 3N5Q1BEGE/3.0 TT

|          |            |                                       |           |
|----------|------------|---------------------------------------|-----------|
| Customer | Date       | 2024-06-14                            | Company   |
| Contact  | Item no.   |                                       | Issued by |
| Phone    | Project    |                                       | Phone     |
| E-mail   | Project ID | Proiect redenumit 2024-06-14 17:13:34 | E-mail    |

## Requested data

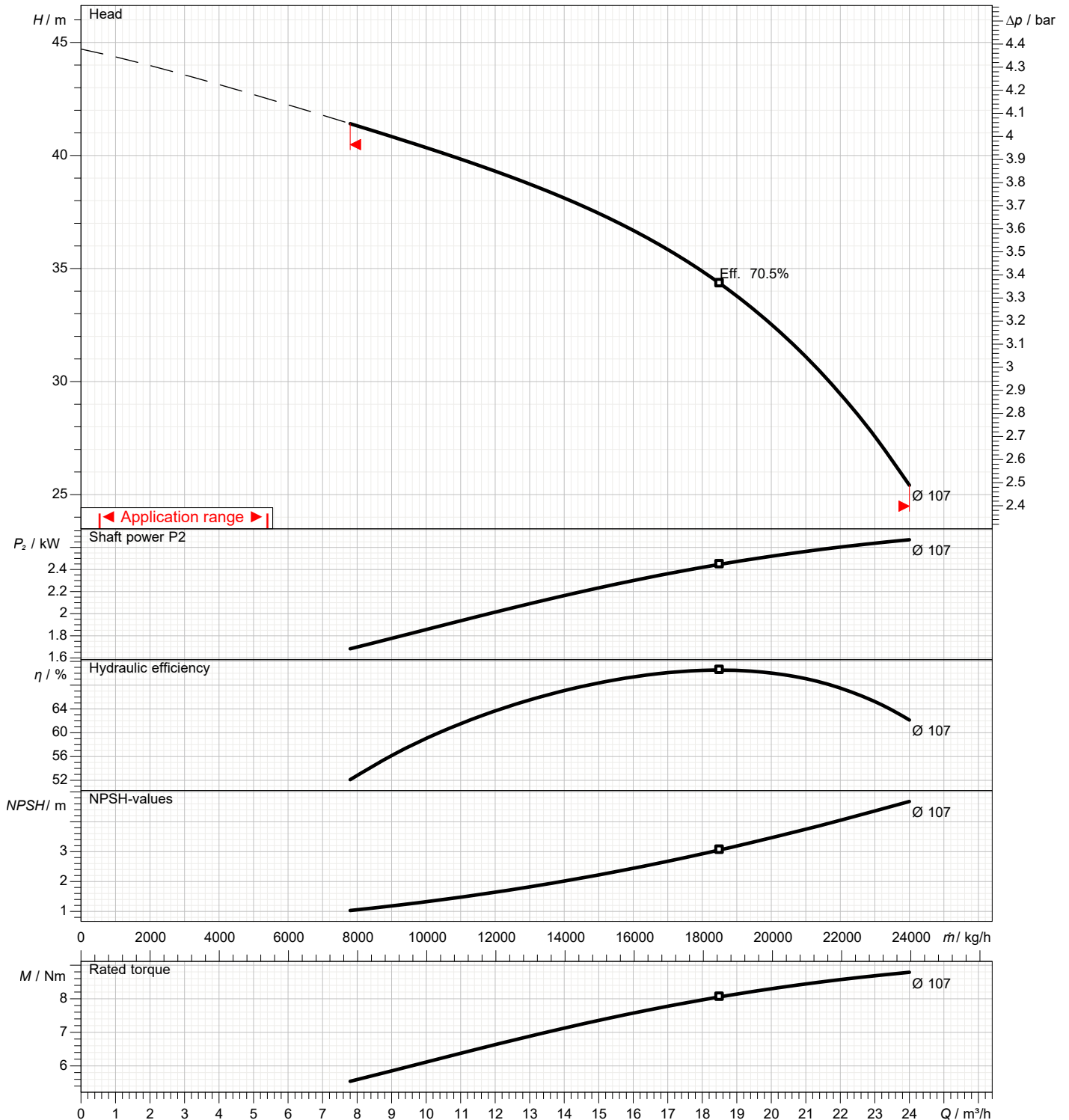
|   |               |      |  |
|---|---------------|------|--|
| 1 | Flow          | m³/h |  |
| 2 | Head          | m    |  |
| 3 | Geodetic head | m    |  |

## Pump

|                            |      |     |                 |     |      |
|----------------------------|------|-----|-----------------|-----|------|
| Operating flow             | m³/h |     | Frequency       | Hz  | 50   |
| Operating head             | m    |     | Number of poles |     | 2    |
| Impeller diameter designed | mm   | 107 | Speed           | rpm | 2900 |

Test standard: ISO 9906:2012 - Grade3B

Water; 20°C; 998.3kg/m³; 1mm²/s

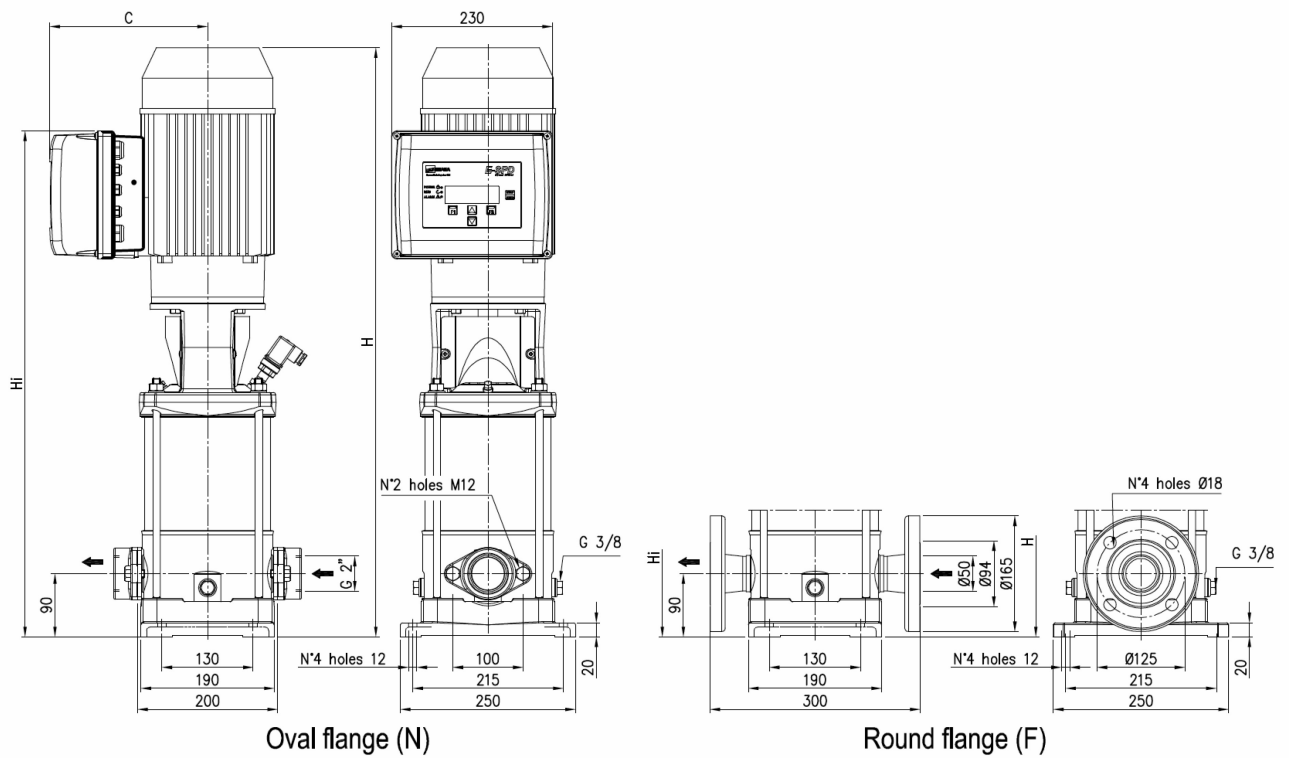


# Dimensions

Pump name EVMSG-K15 3N5Q1BEGE/3.0 TT

|          |  |           |
|----------|--|-----------|
| Customer | Date 2024-06-14                                  | Company   |
| Contact  | Item no.   | Issued by |
| Phone    | Project  | Phone     |
| E-mail   | Project ID Proiect redenumit 2024-06-14 17:13:34 | E-mail    |

## EVMSG-K15



| Dimensions in |    | mm  |  |  |  |  |  |  |
|---------------|----|-----|--|--|--|--|--|--|
| 1             | C  | 210 |  |  |  |  |  |  |
| 2             | H  | 779 |  |  |  |  |  |  |
| 3             | Hi | 682 |  |  |  |  |  |  |
| 4             |    |     |  |  |  |  |  |  |
| 5             |    |     |  |  |  |  |  |  |
| 6             |    |     |  |  |  |  |  |  |
| 7             |    |     |  |  |  |  |  |  |
| 8             |    |     |  |  |  |  |  |  |
| 9             |    |     |  |  |  |  |  |  |
| 10            |    |     |  |  |  |  |  |  |
| 11            |    |     |  |  |  |  |  |  |
| 12            |    |     |  |  |  |  |  |  |
| 13            |    |     |  |  |  |  |  |  |
| 14            |    |     |  |  |  |  |  |  |
| 15            |    |     |  |  |  |  |  |  |

# (1/2) Construction

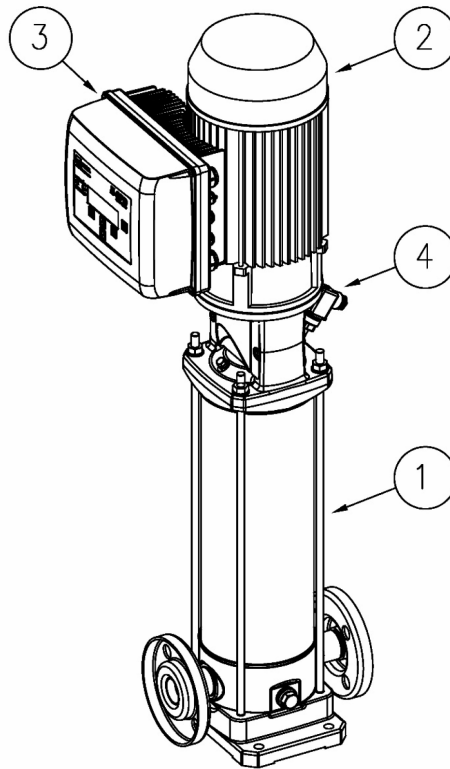
Pump name EVMSG-K15 3N5Q1BEGE/3.0 TT

|          |  |           |
|----------|--|-----------|
| Customer | Date 2024-06-14                                  | Company   |
| Contact  | Item no.   | Issued by |
| Phone    | Project  | Phone     |
| E-mail   | Project ID Proiect redenumit 2024-06-14 17:13:34 | E-mail    |

EVMS-K

EVMSL-K

EVMSG-K



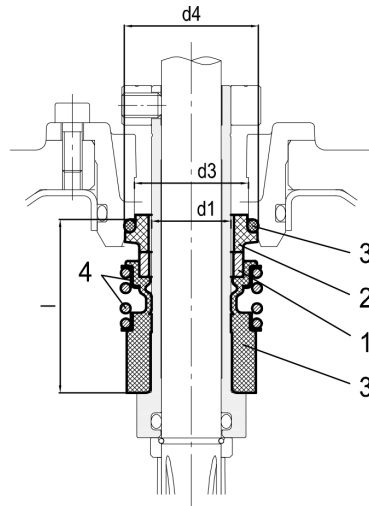
| POS | PART NAME           | MATERIAL               | QUANTITY |
|-----|---------------------|------------------------|----------|
| 1   | EVMSG-K PUMP        | EN-GJL-250 (CAST IRON) | 1        |
|     | EVMS-K PUMP         | EN 1.4301 (AISI 304)   | 1        |
|     | EVMSL-K PUMP        | EN 1.4404 (AISI 316L)  | 1        |
| 2   | ELETRIC MOTOR       | ALUMINIUM              | 1        |
| 3   | INVERTER            | ALUMINIUM-PLASTIC      | 1        |
| 4   | PRESSURE TRANSDUCER | EN 1.4301 (AISI 304)   | 1        |

(2/2)

# Construction

Pump name EVMSG-K15 3N5Q1BEGE/3.0 TT

|          |  |           |
|----------|--|-----------|
| Customer | Date 2024-06-14                                  | Company   |
| Contact  | Item no.   | Issued by |
| Phone    | Project  | Phone     |
| E-mail   | Project ID Proiect redenumit 2024-06-14 17:13:34 | E-mail    |



● : Standard

| Pump model   | Max operating temperature | Shaft seal type |          | Shaft seal material |      |                 |      |            |      |                    |        | Type key |       |  |
|--------------|---------------------------|-----------------|----------|---------------------|------|-----------------|------|------------|------|--------------------|--------|----------|-------|--|
|              |                           | Cartridge       |          | 1                   |      | 2               |      | 3          |      | 4                  |        |          | 5     |  |
|              |                           | Unbalanced      | Balanced | Rotating Part       | Code | Stationary Part | Code | Elastomers | Code | Compression spring | Collar |          | Code  |  |
| up to 16 bar | - 30°C to + 120°C         | ●               |          | SiC                 | (Q1) | Carbon          | (B)  | EPDM       | (E)  | AISI 316           |        | (G)      | Q1BEG |  |

| Max operating pressure | d1 [mm] | d2 [mm] | d3 [mm] | d4 [mm] | l [mm] |
|------------------------|---------|---------|---------|---------|--------|
| 16 bar                 | 20      | -       | 29      | 35      | 37.5   |