

Technical Data

Pump Name

EVMSG-K5 8N5Q1BEG/2.2 TT

| | | | |
|----------|------------|---------------------------------------|-----------|
| Customer | Date | 2024-06-14 | Company |
| Contact | Item no. | | Issued by |
| Phone | Project | | Phone |
| E-mail | Project ID | Proiect redenumit 2024-06-14 17:13:34 | E-mail |

Requested data

| | | | | |
|---|---------------------------|--------------------------|--------------------|----------------|
| 1 | Pump type | VERTICAL MULTISTAGE PUMP | Fluid | Water |
| 2 | Number of pumps / Reserve | 1 / 0 | Liquid temperature | °C 20 |
| 3 | Flow m³/h | | Kin. viscosity | mm²/s 1.005 |
| 4 | Head m | | Vapour pressure | bar 0.0234 |
| 5 | Geodetic head m | | PH value | |
| 6 | Inlet pressure (pin) bar | 0 | Density | kg/m³ 998.3 |
| 7 | Available system NPSH | | Solids | Weight % 0 |
| 8 | Ambient temperature °C | 20 | | |

Pump

| | | | | | |
|----|---------------------------|--------------------------------|-----------------------------------|------------------------|------|
| 9 | Pump Name | EVMSG-K5 8N5Q1BEG/2.2 TT | Frequency | Hz | 50 |
| 10 | Design | VERTICAL MULTISTAGE PUMP | Installation type | Oval flange (STANDARD) | |
| 11 | Manufacturer | EBARA | Impeller Diameter | Max. mm | 91 |
| 12 | Speed rpm | 2900 | | Designed mm | 91 |
| 13 | No. of Stage | 8 | | Min. mm | 91 |
| 14 | Connection Suction side | | Flow | Operating m³/h | |
| 15 | Connection Discharge side | | | Max- m³/h | 7.8 |
| 16 | Max Working Pressure bar | 16 | | Min- m³/h | 2.4 |
| 17 | Shut-off head bar | 7.43 | Head | Operating m | |
| 18 | Total weight kg | See the table of "Dimensions". | | - (Qmax.) m | 40.8 |
| 19 | Shaft power kW | | | - (Qmin.) m | 71.9 |
| 20 | | | Max. Shaft Power at max. impeller | kW | 1.56 |
| 21 | Required pump NPSH m | | Efficiency | % | |

Materials

| | | | | |
|----|---------------------|-----------|--|--|
| 22 | Impeller | AISI 304 | | |
| 23 | Intermediate casing | AISI 304 | | |
| 24 | Bottom casing | Cast iron | | |
| 25 | Shaft | AISI 304 | | |
| 26 | O-ring | EPDM | | |
| 27 | | | | |

Motor

| | | | | |
|----|----------------------|---------------------------------------|--------------------|-----|
| 28 | Manufacturer | ETM | Insulation class | F |
| 29 | Type | TEFC_EVMS-K5 8/2.2 TT_400_Three Phase | Phases | 3~ |
| 30 | Specific design | IE3 / 50 Hz / Pole pairs 1 | Frame size | 90 |
| 31 | Rated power kW | 2.2 | Weight kg | 15 |
| 32 | Number of poles | 2 | Electric voltage V | 400 |
| 33 | Speed rpm | 2875 | Electric current A | 4.7 |
| 34 | Degree of protection | IP 55 | | |
| 35 | | | | |

Remarks

Performance Curve

Pump Name

EVMSG-K5 8N5Q1BEG/2.2 TT

| | | | |
|----------|------------|---------------------------------------|-----------|
| Customer | Date | 2024-06-14 | Company |
| Contact | Item no. | | Issued by |
| Phone | Project | | Phone |
| E-mail | Project ID | Project redenumit 2024-06-14 17:13:34 | E-mail |

Requested data

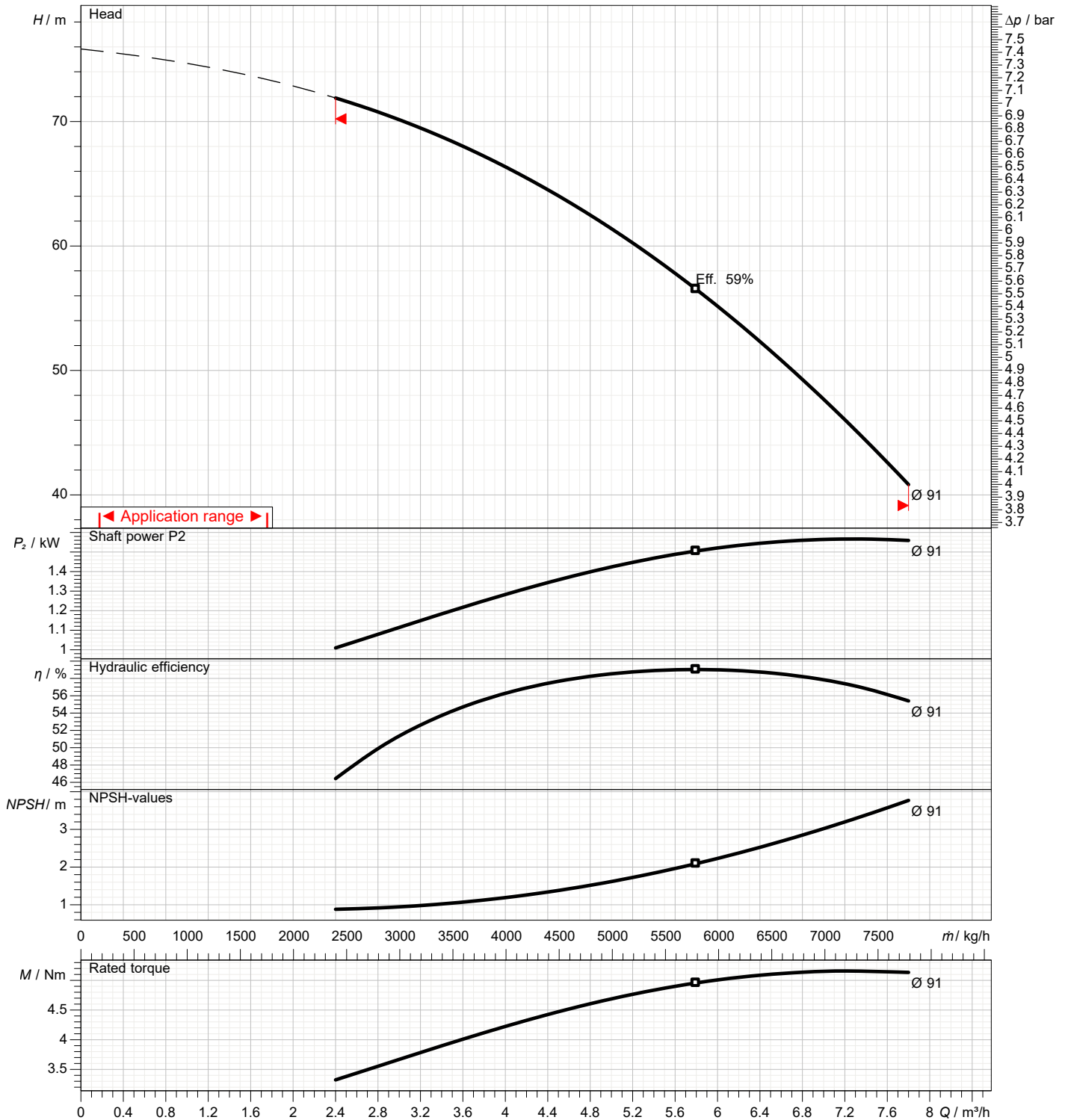
| | | | |
|---|---------------|------|--|
| 1 | Flow | m³/h | |
| 2 | Head | m | |
| 3 | Geodetic head | m | |

Pump

| | | | | | |
|----------------------------|------|----|-----------------|-----|------|
| Operating flow | m³/h | | Frequency | Hz | 50 |
| Operating head | m | | Number of poles | | 2 |
| Impeller diameter designed | mm | 91 | Speed | rpm | 2900 |

Test standard: ISO 9906:2012 - Grade3B

Water; 20°C; 998.3kg/m³; 1mm²/s

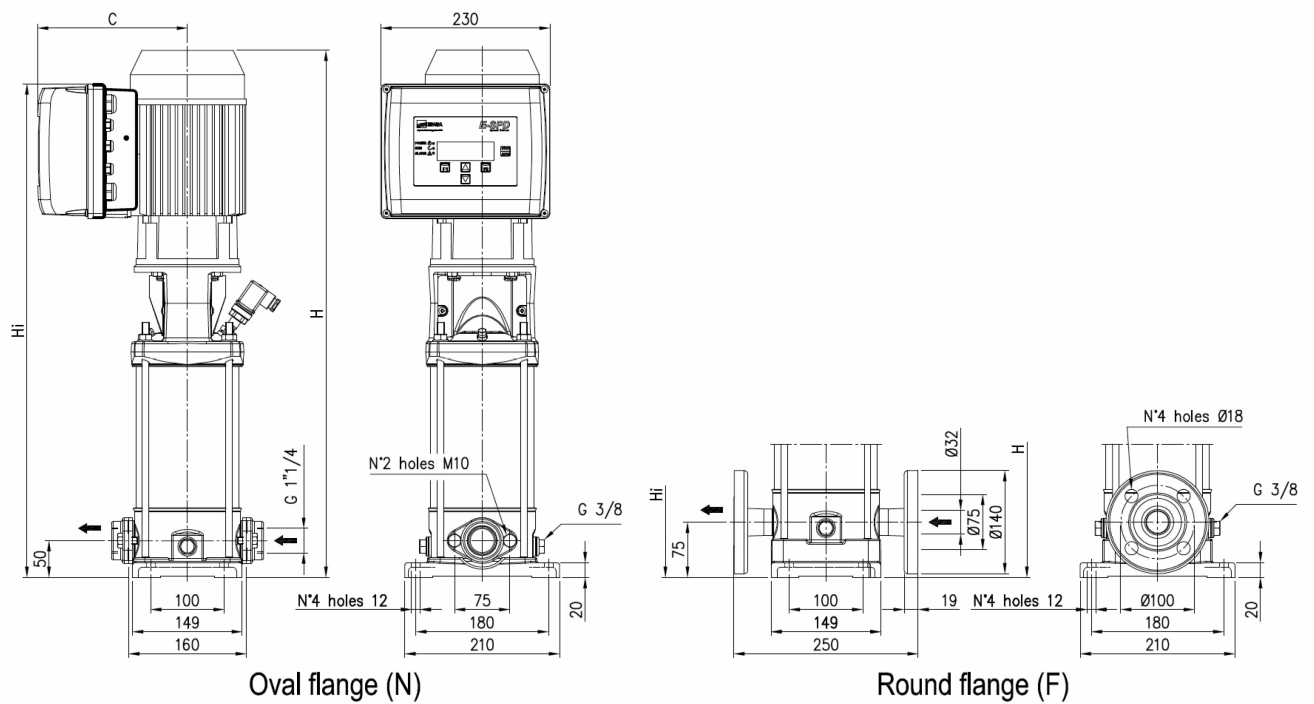


Dimensions

Pump name EVMSG-K5 8N5Q1BEG/2.2 TT

| | | |
|----------|--|-----------|
| Customer | Date 2024-06-14 | Company |
| Contact | Item no. | Issued by |
| Phone | Project | Phone |
| E-mail | Project ID Proiect redenumit 2024-06-14 17:13:34 | E-mail |

EVMSG-K5



| Dimensions in | | mm | | | | | | |
|---------------|----|-----|--|--|--|--|--|--|
| 1 | C | 203 | | | | | | |
| 2 | H | 743 | | | | | | |
| 3 | Hi | 698 | | | | | | |
| 4 | | | | | | | | |
| 5 | | | | | | | | |
| 6 | | | | | | | | |
| 7 | | | | | | | | |
| 8 | | | | | | | | |
| 9 | | | | | | | | |
| 10 | | | | | | | | |
| 11 | | | | | | | | |
| 12 | | | | | | | | |
| 13 | | | | | | | | |
| 14 | | | | | | | | |
| 15 | | | | | | | | |

(1/2) Construction

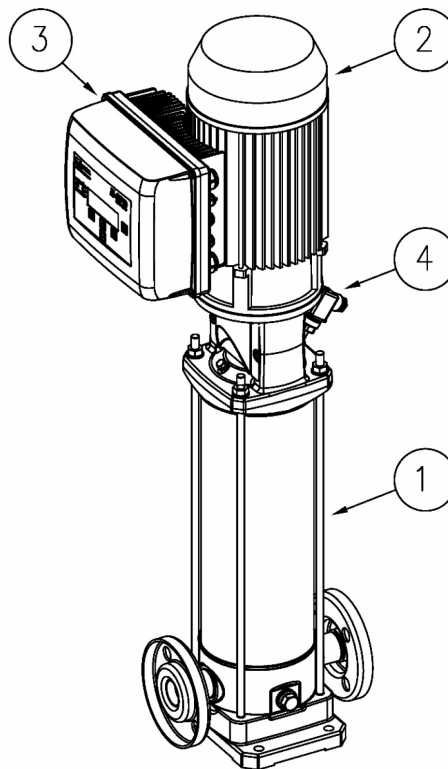
Pump name EVMSG-K5 8N5Q1BEG/2.2 TT

| | | |
|----------|--|-----------|
| Customer | Date 2024-06-14 | Company |
| Contact | Item no. | Issued by |
| Phone | Project | Phone |
| E-mail | Project ID Proiect redenumit 2024-06-14 17:13:34 | E-mail |

EVMS-K

EVMSL-K

EVMSG-K



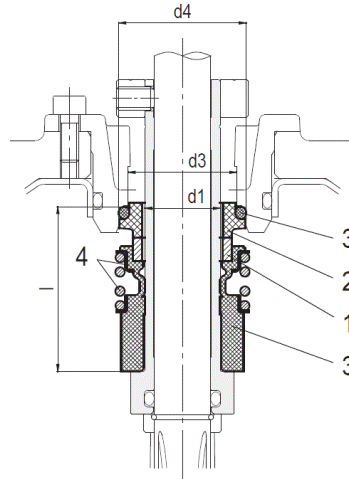
| POS | PART NAME | MATERIAL | QUANTITY |
|-----|---------------------|------------------------|----------|
| 1 | EVMSG-K PUMP | EN-GJL-250 (CAST IRON) | 1 |
| | EVMS-K PUMP | EN 1.4301 (AISI 304) | 1 |
| | EVMSL-K PUMP | EN 1.4404 (AISI 316L) | 1 |
| 2 | ELETRIC MOTOR | ALUMINIUM | 1 |
| 3 | INVERTER | ALUMINIUM-PLASTIC | 1 |
| 4 | PRESSURE TRANSDUCER | EN 1.4301 (AISI 304) | 1 |

(2/2)

Construction

Pump name EVMSG-K5 8N5Q1BEG/2.2 TT

| | | | |
|----------|------------|---------------------------------------|-----------|
| Customer | Date | 2024-06-14 | Company |
| Contact | Item no. | | Issued by |
| Phone | Project | | Phone |
| E-mail | Project ID | Proiect redenumit 2024-06-14 17:13:34 | E-mail |



up to 16 bar
Cartridge Unbalanced type

| Type key | Availability | Max operating pressure | Max operating temperature | Shaft seal type | | Shaft seal material | | | | | | | |
|----------|--------------|------------------------|---------------------------|-----------------|------|---------------------|------|----------------------|------|-----------------|------|-------------------------|-------------|
| | | | | Type | Code | 1 Rotating part | Code | 2 Stationary part | Code | 3 Elastomers | Code | 4 Compression spring | 5 Collar |
| Q1BEG | ● | 16 bar | - 30°C to + 120°C | Unbalanced | (-) | SIC | (Q1) | Carbon | (B) | EPDM | (E) | AISI 316 | (G) |

| Pump model | Shaft seal type | | Max operating pressure | d1 [mm] | d2 [mm] | d3 [mm] | d4 [mm] | l [mm] |
|---------------|-----------------|------------|------------------------|---------|---------|---------|---------|--------|
| EVMS 1/3/5 | Cartridge | Unbalanced | 16 bar | 16 | - | 23 | 27 | 35 |
| | | Balanced | 25 bar | | 20 | | | 42.5 |
| EVMS 10/15/20 | Cartridge | Unbalanced | 16 bar | 20 | - | 29 | 35 | 37.5 |
| | | Balanced | 25 bar | | 24 | | | 45 |