

# Technical Data

Pump Name

GS2 50-160-177/B/15

Customer	Date	2024-06-14	Company
Contact	Item no.		Issued by
Phone	Project		Phone
E-mail	Project ID	Proiect redenumit 2024-06-14 18:50:3	E-mail

## Requested data

1	Pump type	End Suction Volute Pump	Fluid	Water
2	Number of pumps / Reserve	1 / 0	Liquid temperature	°C 20
3	Flow	m³/h	Kin. viscosity	mm²/s 1.005
4	Head	m	Vapour pressure	bar 0.0234
5	Geodetic head	m	PH value	
6	Inlet pressure (pin)	bar	Density	kg/m³ 998.3
7	Available system NPSH		Solids	Weight % 0
8	Ambient temperature	°C 20		

## Pump

9	Pump Name	GS2 50-160-177/B/15	Frequency	Hz	50
10	Design	End Suction Volute Pump	Installation type		with base, motor
11	Manufacturer	EBARA	Impeller Diameter	Max.	mm 177
12	Speed	rpm 2900		Designed	mm 177
13	No. of Stage	1		Min.	mm 131
14	Connection	Suction side	Flow	Operating	m³/h
15	Connection	Discharge side		Max-	m³/h 110
16	Max Working Pressure	bar		Min-	m³/h 12.4
17	Shut-off head	bar	Head	Operating	m
18	Total weight	kg		- (Qmax.)	m 30.1
19	Shaft power	kW		- (Qmin.)	m 43.8
20			Max. Shaft Power at max. impeller	kW	12.38
21	Required pump NPSH	m	Efficiency	%	

## Materials

22	Casing	Cast iron		
23	Impeller	Cast iron		
24	Shaft	Cr. Steel		
25	Case wear ring	Bronze		
26	O-ring	EPDM		
27	Mechanical seal	SiC/Carbon/EPDM		

## Motor

28	Manufacturer	TECHTOP	Insulation class	F
29	Type	160M2_15_3_400	Phases	3~
30	Specific design	TEFC/B3/IE3/TC / 50 Hz / Pole pairs 1	Frame size	160M2
31	Rated power	kW 15	Weight	kg 156
32	Number of poles	2	Electric voltage	V 400
33	Speed	rpm 2920	Electric current	A 25.9
34	Degree of protection	IP55		
35				

## Remarks

# Performance Curve

Pump Name

GS2 50-160-177/B/15

Customer	Date	2024-06-14	Company
Contact	Item no.		Issued by
Phone	Project		Phone
E-mail	Project ID	Proiect redenumit 2024-06-14 18:50:31	E-mail

## Requested data

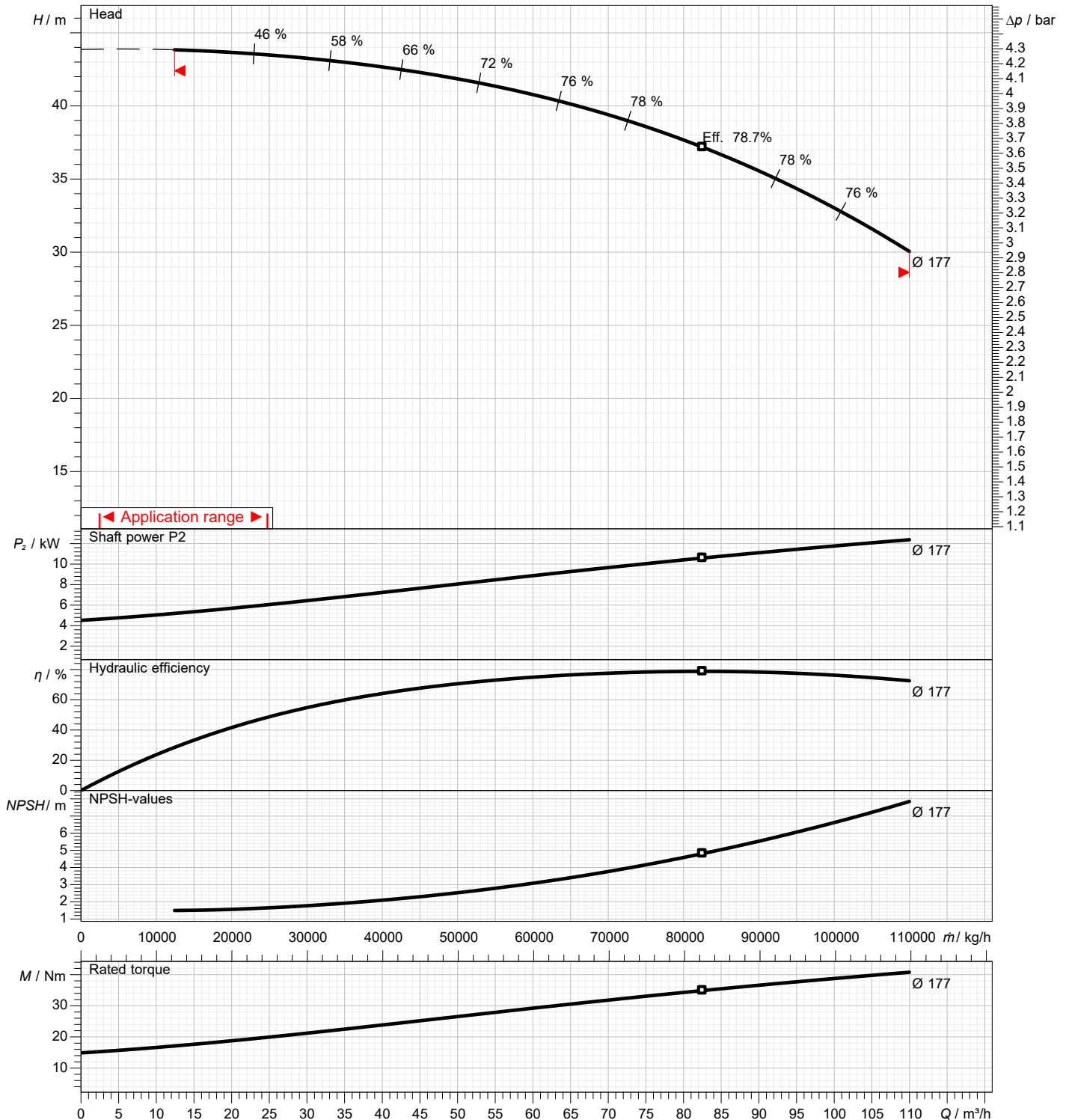
1	Flow	m³/h	
2	Head	m	
3	Geodetic head	m	

## Pump

Operating flow	m³/h		Frequency	Hz	50
Operating head	m		Number of poles		2
Impeller diameter designed	mm	177	Speed	rpm	2900

Test standard: ISO 9906:2012 - Grade3B

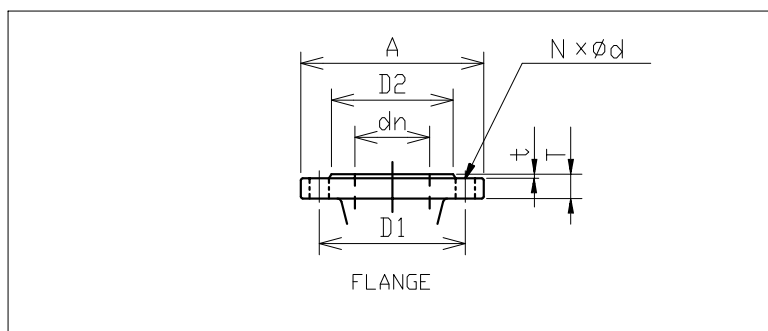
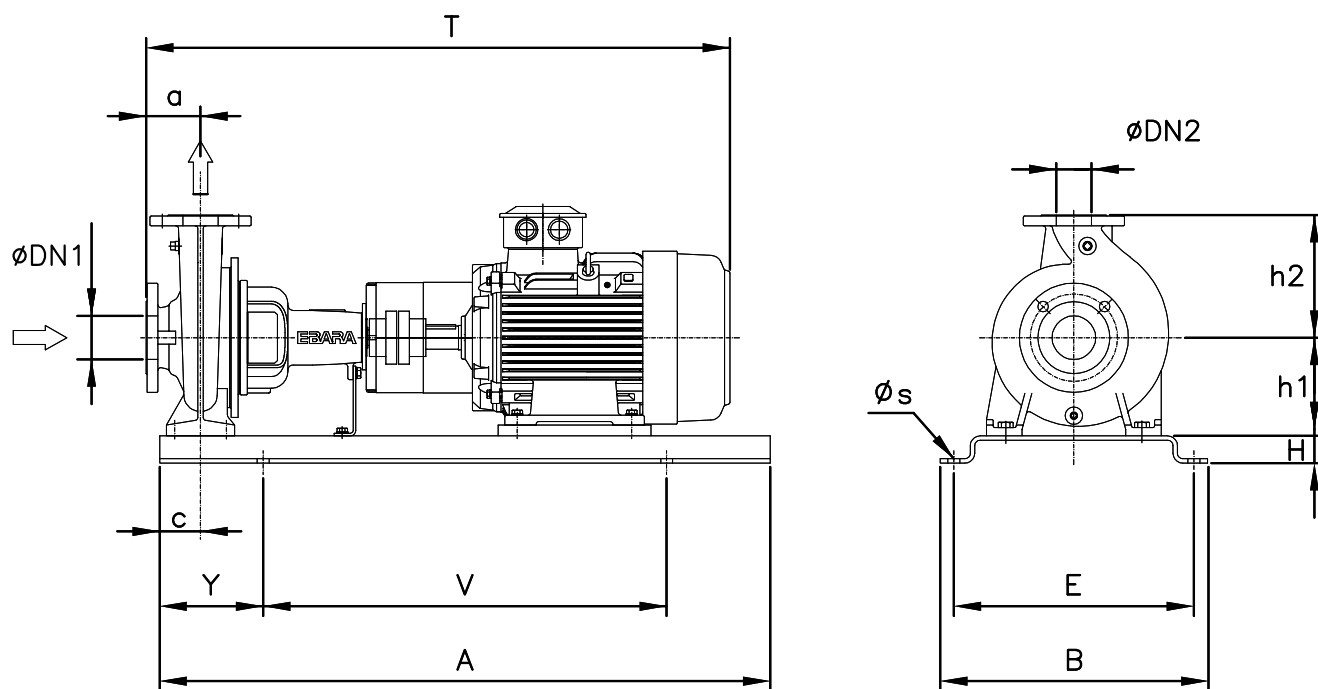
Water; 20°C; 998.3kg/m³; 1mm²/s



# Dimensions

Pump name GS2 50-160-177/B/15

Customer	Date 2024-06-14	Company
Contact	Item no.	Issued by
Phone	Project	Phone
E-mail	Project ID Proiect redenumit 2024-06-14 18:50:31	E-mail



Total weight : 188 kg

Pump dimensions		mm	Suction side	mm	Discharge side	mm
a	100		A	185	A	165
A	1120		d	19	d	19
B	490		D1	145	D1	125
c	100		D2	118	D2	99
DN1	65		dn	65	dn	50
DN2	50		N	4(Num)	N	4(Num)
E	440		t	2	t	2
H	50		T	20	T	20
h1	160					
h2	180					
s	22					
T	1061					
V	740					
Y	190					

# Construction

Pump name GS2 50-160-177/B/15

Customer	Date 2024-06-14	Company
Contact	Item no.	Issued by
Phone	Project	Phone
E-mail	Project ID Proiect redenumit 2024-06-14 18:50:31	E-mail