

Technical Data

Pump Name

GS2 65-160-177/B/18.5

Customer	Date	2024-06-14	Company
Contact	Item no.		Issued by
Phone	Project		Phone
E-mail	Project ID	Proiect redenumit 2024-06-14 18:50:3	E-mail

Requested data

1	Pump type	End Suction Volute Pump	Fluid	Water
2	Number of pumps / Reserve	1 / 0	Liquid temperature	°C 20
3	Flow	m³/h	Kin. viscosity	mm²/s 1.005
4	Head	m	Vapour pressure	bar 0.0234
5	Geodetic head	m	PH value	
6	Inlet pressure (pin)	bar	Density	kg/m³ 998.3
7	Available system NPSH		Solids	Weight % 0
8	Ambient temperature	°C 20		

Pump

9	Pump Name	GS2 65-160-177/B/18.5	Frequency	Hz	50
10	Design	End Suction Volute Pump	Installation type	with base, motor	
11	Manufacturer	EBARA	Impeller Diameter	Max.	mm 177
12	Speed	rpm 2900		Designed	mm 177
13	No. of Stage	1		Min.	mm 135
14	Connection	Suction side	Flow	Operating	m³/h
15	Connection	Discharge side		Max-	m³/h 163
16	Max Working Pressure	bar		Min-	m³/h 20.5
17	Shut-off head	bar	Head	Operating	m
18	Total weight	kg		- (Qmax.)	m 29.4
19	Shaft power	kW		- (Qmin.)	m 39.4
20			Max. Shaft Power at max. impeller	kW	16.47
21	Required pump NPSH	m	Efficiency	%	

Materials

22	Casing	Cast iron		
23	Impeller	Cast iron		
24	Shaft	Cr. Steel		
25	Case wear ring	Bronze		
26	O-ring	EPDM		
27	Mechanical seal	SiC/Carbon/EPDM		

Motor

28	Manufacturer	TECHTOP	Insulation class	F
29	Type	160L_18.5_3_400	Phases	3~
30	Specific design	TEFC/B3/E3/TC / 50 Hz / Pole pairs 1	Frame size	160L
31	Rated power	kW 18.5	Weight	kg 170
32	Number of poles	2	Electric voltage	V 400
33	Speed	rpm 2920	Electric current	A 31.4
34	Degree of protection	IP55		
35				

Remarks

Performance Curve

Pump Name

GS2 65-160-177/B/18.5

Customer	Date	2024-06-14	Company
Contact	Item no.		Issued by
Phone	Project		Phone
E-mail	Project ID	Project redenumit 2024-06-14 18:50:31	E-mail

Requested data

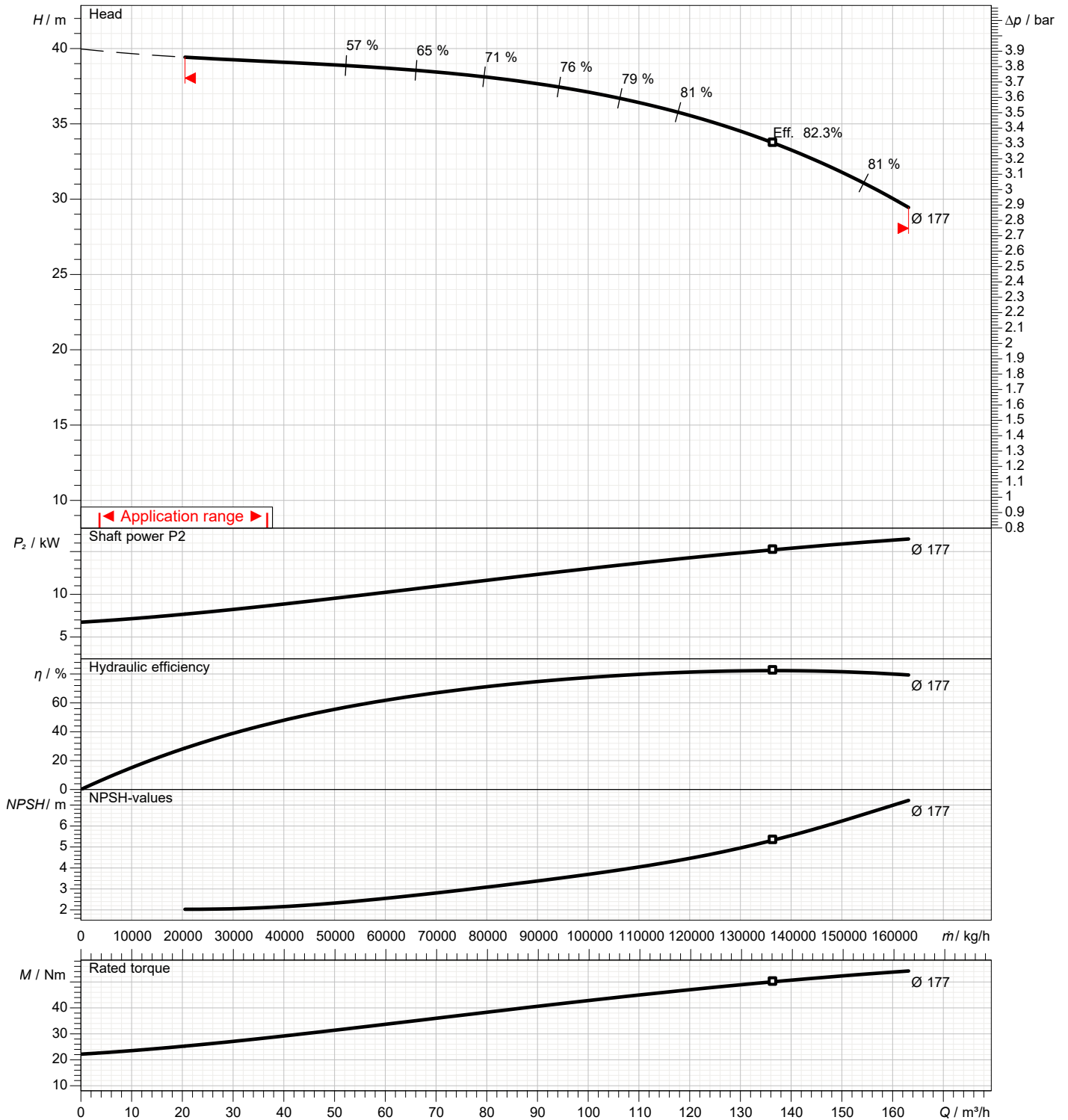
1	Flow	m³/h	
2	Head	m	
3	Geodetic head	m	

Pump

Operating flow	m³/h		Frequency	Hz	50
Operating head	m		Number of poles		2
Impeller diameter designed	mm	177	Speed	rpm	2900

Test standard: ISO 9906:2012 - Grade3B

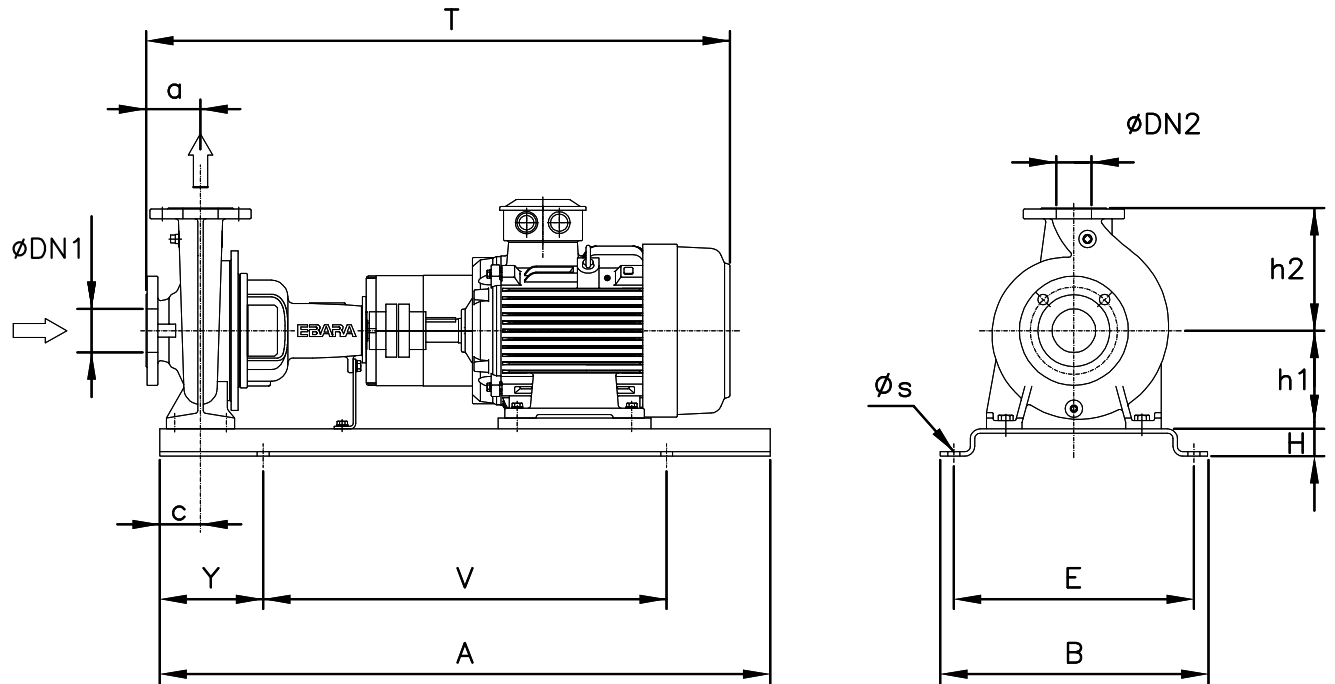
Water; 20°C; 998.3kg/m³; 1mm²/s



Dimensions

Pump name **GS2 65-160-177/B/18.5**

Customer	Date 2024-06-14	Company
Contact	Item no.	Issued by
Phone	Project	Phone
E-mail	Project ID Proiect redenumit 2024-06-14 18:50:31	E-mail



Total weight : 209 kg

Pump dimensions		mm	Suction side	mm	Discharge side	mm
a	100		A	200	A	185
A	1120		d	19	d	19
B	490		D1	160	D1	145
c	100		D2	132	D2	118
DN1	80		dn	80	dn	65
DN2	65		N	8(Num)	N	4(Num)
E	440		t	2	t	2
H	50		T	22	T	20
h1	160					
h2	200					
s	22					
T	1105					
V	740					
Y	190					

Construction

Pump name GS2 65-160-177/B/18.5

Customer	Date 2024-06-14	Company
Contact	Item no.	Issued by
Phone	Project	Phone
E-mail	Project ID Proiect redenumit 2024-06-14 18:50:31	E-mail