

Technical Data

Pump Name

GS2 80-200-222/B/55

Customer	Date	2024-06-14	Company
Contact	Item no.		Issued by
Phone	Project		Phone
E-mail	Project ID	Proiect redenumit 2024-06-14 18:50:3	E-mail

Requested data

1	Pump type	End Suction Volute Pump	Fluid	Water
2	Number of pumps / Reserve	1 / 0	Liquid temperature	°C 20
3	Flow	m³/h	Kin. viscosity	mm²/s 1.005
4	Head	m	Vapour pressure	bar 0.0234
5	Geodetic head	m	PH value	
6	Inlet pressure (pin)	bar	Density	kg/m³ 998.3
7	Available system NPSH		Solids	Weight % 0
8	Ambient temperature	°C 20		

Pump

9	Pump Name	GS2 80-200-222/B/55	Frequency	Hz	50
10	Design	End Suction Volute Pump	Installation type	with base, motor	
11	Manufacturer	EBARA	Impeller Diameter	Max.	mm 222
12	Speed	rpm 2900		Designed	mm 222
13	No. of Stage	1		Min.	mm 165
14	Connection	Suction side EN PN16	Flow	Operating	m³/h
15	Connection	Discharge side EN PN16		Max-	m³/h 293
16	Max Working Pressure	bar 16		Min-	m³/h 37.1
17	Shut-off head	bar 6.47	Head	Operating	m
18	Total weight	kg See the table of "Dimensions".		- (Qmax.)	m 54.0
19	Shaft power	kW		- (Qmin.)	m 66.1
20			Max. Shaft Power at max. impeller	kW	51.85
21	Required pump NPSH	m	Efficiency	%	

Materials

22	Casing	Cast iron		
23	Impeller	Cast iron		
24	Shaft	Cr. Steel		
25	Case wear ring	Bronze		
26	O-ring	EPDM		
27	Mechanical seal	SiC/Carbon/EPDM		

Motor

28	Manufacturer	TECHTOP	Insulation class	F
29	Type	250M_55_3_400	Phases	3~
30	Specific design	TEFC/B3/IE3/TC / 50 Hz / Pole pairs 1	Frame size	250M_2P
31	Rated power	kW 55	Weight	kg 470
32	Number of poles	2	Electric voltage	V 400
33	Speed	rpm 2940	Electric current	A 95.7
34	Degree of protection	IP55		
35				

Remarks

Performance Curve

Pump Name

GS2 80-200-222/B/55

Customer	Date	2024-06-14	Company
Contact	Item no.		Issued by
Phone	Project		Phone
E-mail	Project ID	Project redenumit 2024-06-14 18:50:31	E-mail

Requested data

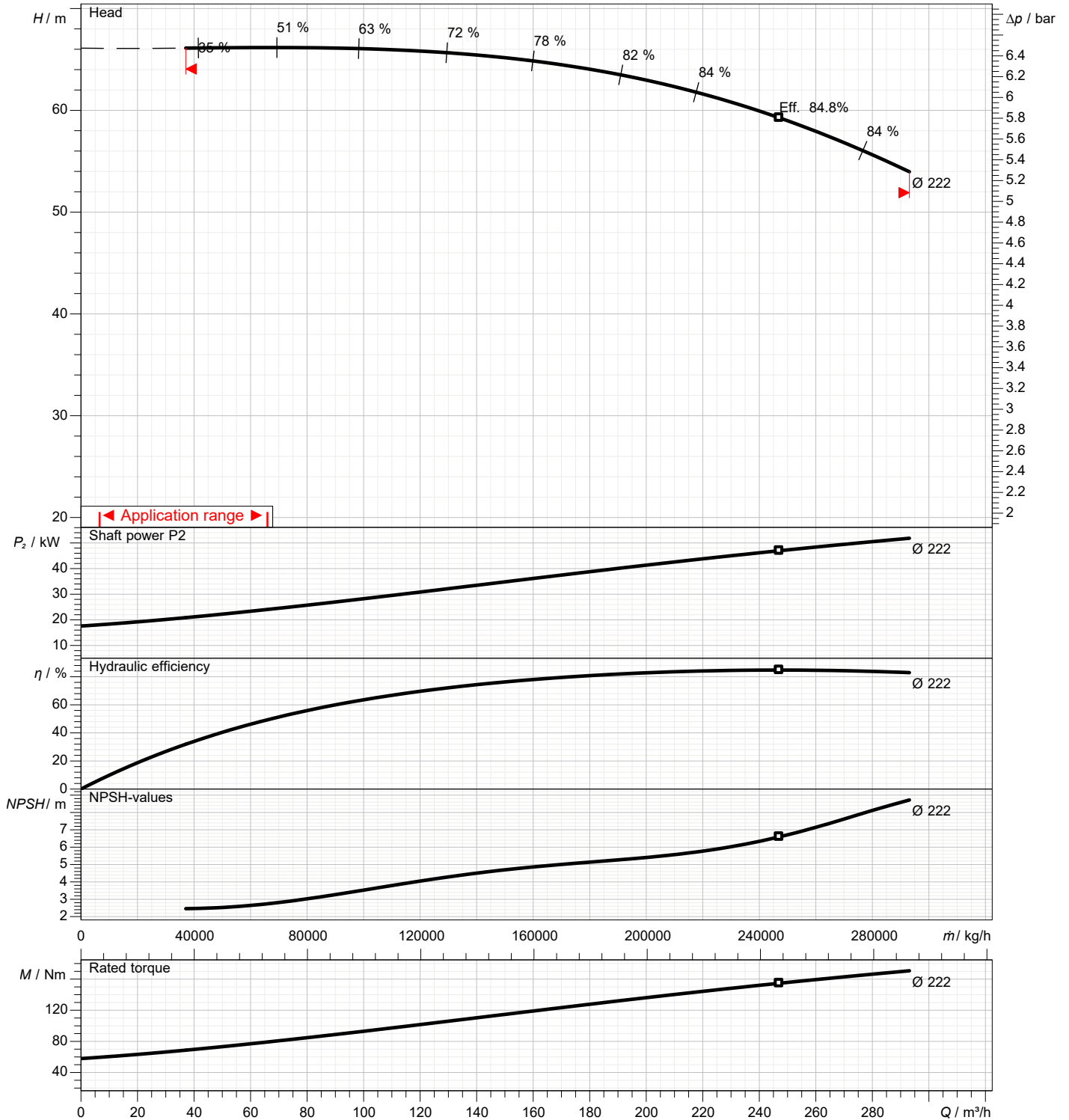
1	Flow	m³/h	
2	Head	m	
3	Geodetic head	m	

Pump

Operating flow	m³/h		Frequency	Hz	50
Operating head	m		Number of poles		2
Impeller diameter designed	mm	222	Speed	rpm	2900

Test standard: ISO 9906:2012 - Grade3B

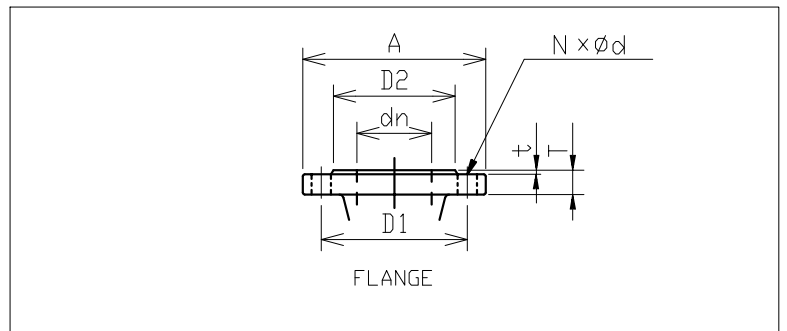
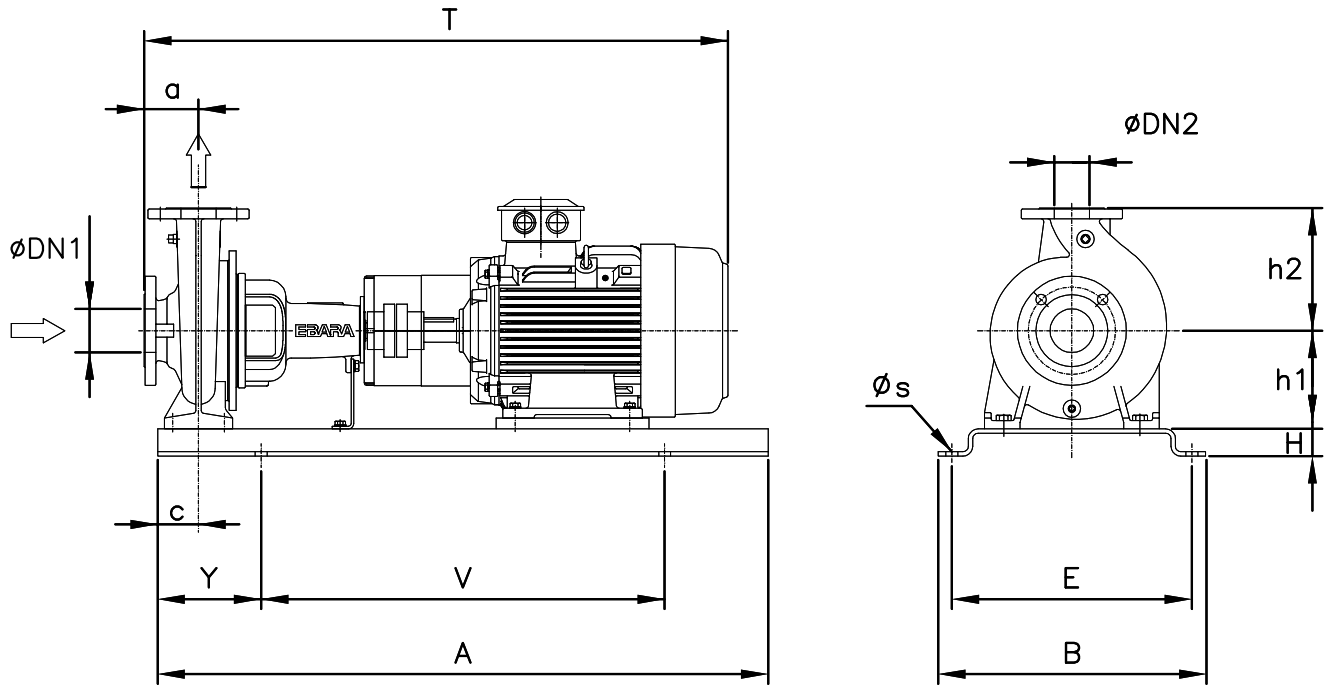
Water; 20°C; 998.3kg/m³; 1mm²/s



Dimensions

Pump name **GS2 80-200-222/B/55**

Customer	Date 2024-06-14	Company
Contact	Item no.	Issued by
Phone	Project	Phone
E-mail	Project ID Proiect redenumit 2024-06-14 18:50:31	E-mail



Total weight : 605 kg

Pump dimensions		mm	Suction side	mm	Discharge side	mm
a	125		A	220	A	200
A	1600		d	19	d	19
B	660		D1	180	D1	160
c	125		D2	156	D2	132
DN1	100		dn	100	dn	80
DN2	80		N	8(Num)	N	8(Num)
E	600		t	2	t	2
H	75		T	24	T	22
h1	180					
h2	250					
s	26					
T	1563					
V	1060					
Y	270					

Construction

Pump name GS2 80-200-222/B/55

Customer	Date 2024-06-14	Company
Contact	Item no.	Issued by
Phone	Project	Phone
E-mail	Project ID Proiect redenumit 2024-06-14 18:50:31	E-mail