

# Technical Data

Pump Name

GS4 100-400-412/M/45

Customer	Date	2024-06-14	Company
Contact	Item no.		Issued by
Phone	Project		Phone
E-mail	Project ID	Proiect redenumit 2024-06-14 18:50:3	E-mail

## Requested data

1	Pump type	End Suction Volute Pump	Fluid	Water
2	Number of pumps / Reserve	1 / 0	Liquid temperature	°C 20
3	Flow	m³/h	Kin. viscosity	mm²/s 1.005
4	Head	m	Vapour pressure	bar 0.0234
5	Geodetic head	m	PH value	
6	Inlet pressure (pin)	bar 0	Density	kg/m³ 998.3
7	Available system NPSH		Solids	Weight % 0
8	Ambient temperature	°C 20		

## Pump

9	Pump Name	GS4 100-400-412/M/45	Frequency	Hz 50
10	Design	End Suction Volute Pump	Installation type	with base, motor
11	Manufacturer	EBARA	Impeller Diameter	Max. mm 412
12	Speed	rpm 1450		Designed mm 412
13	No. of Stage	1		Min. mm 320
14	Connection	Suction side EN PN16	Flow	Operating m³/h
15	Connection	Discharge side EN PN16		Max- m³/h 297
16	Max Working Pressure	bar 16		Min- m³/h 35.7
17	Shut-off head	bar 5.66	Head	Operating m
18	Total weight	kg See the table of "Dimensions".		- (Qmax.) m 42.3
19	Shaft power	kW		- (Qmin.) m 57.4
20			Max. Shaft Power at max. impeller	kW 44.52
21	Required pump NPSH	m	Efficiency	%

## Materials

22	Casing	Cast iron	
23	Impeller	Ductile cast iron	
24	Shaft	Cr. Steel	
25	Case wear ring	Bronze	
26	O-ring	EPDM	
27	Mechanical seal	SiC/Carbon/EPDM	

## Motor

28	Manufacturer	TECHTOP	Insulation class	F
29	Type	225M_45_3_400	Phases	3~
30	Specific design	TEFC/B3/IE3/TC / 50 Hz / Pole pairs 2	Frame size	225M_4P
31	Rated power	kW 45	Weight	kg 394
32	Number of poles	4	Electric voltage	V 400
33	Speed	rpm 1480	Electric current	A 86.2
34	Degree of protection	IP55		
35				

## Remarks

# Performance Curve

Pump Name

GS4 100-400-412/M/45

Customer	Date	2024-06-14	Company
Contact	Item no.		Issued by
Phone	Project		Phone
E-mail	Project ID	Project redenumit 2024-06-14 18:50:31	E-mail

## Requested data

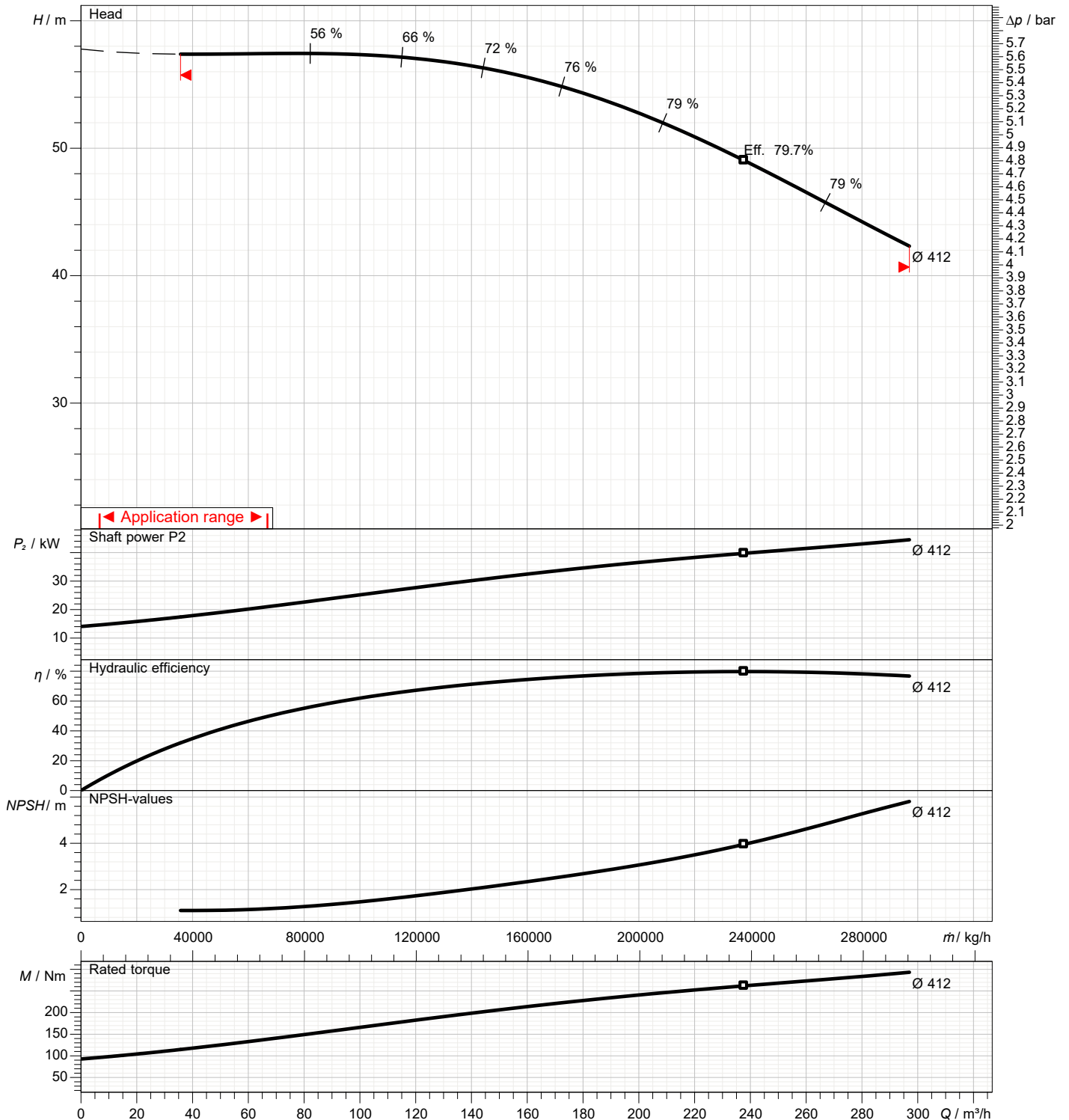
1	Flow	m³/h	
2	Head	m	
3	Geodetic head	m	

## Pump

Operating flow	m³/h		Frequency	Hz	50
Operating head	m		Number of poles		4
Impeller diameter designed	mm	412	Speed	rpm	1450

Test standard: ISO 9906:2012 - Grade3B

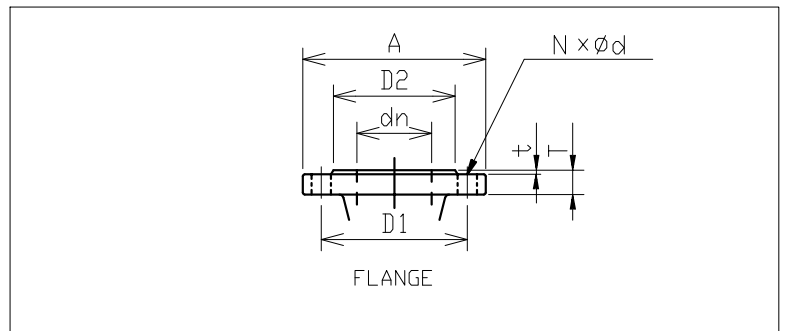
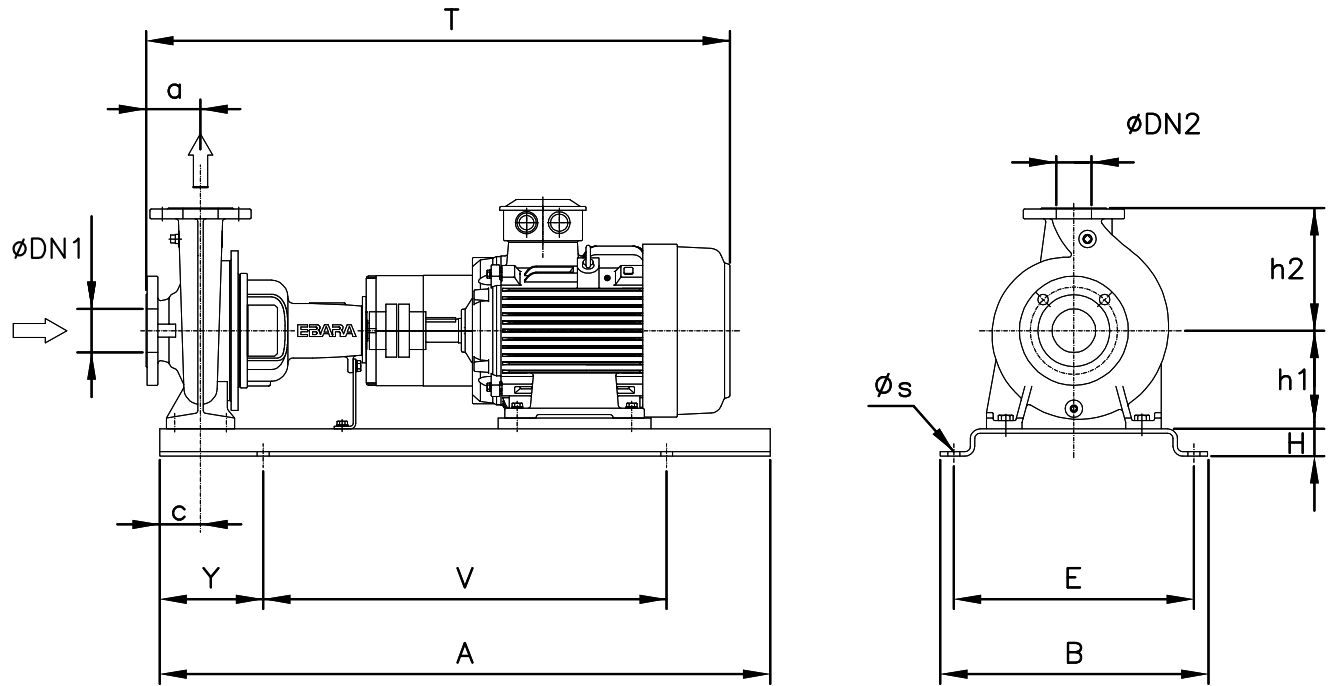
Water; 20°C; 998.3kg/m³; 1mm²/s



# Dimensions

Pump name GS4 100-400-412/M/45

Customer	Date 2024-06-14	Company
Contact	Item no.	Issued by
Phone	Project	Phone
E-mail	Project ID Proiect redenumit 2024-06-14 18:50:31	E-mail



Total weight : 692 kg

Pump dimensions		mm	Suction side	mm	Discharge side	mm
a	140		A	250	A	220
A	1400		d	19	d	19
B	730		D1	210	D1	180
c	140		D2	184	D2	156
DN1	125		dn	125	dn	100
DN2	100		N	8(Num)	N	8(Num)
E	670		t	2	t	2
H	75		T	26	T	24
h1	280					
h2	355					
s	26					
T	1559					
V	940					
Y	230					

# Construction

Pump name GS4 100-400-412/M/45

Customer	Date 2024-06-14	Company
Contact	Item no.	Issued by
Phone	Project	Phone
E-mail	Project ID Proiect redenumit 2024-06-14 18:50:31	E-mail