

Technical Data

Pump Name

GS4 125-315-334/B/37

Customer	Date	2024-06-14	Company
Contact	Item no.		Issued by
Phone	Project		Phone
E-mail	Project ID	Proiect redenumit 2024-06-14 18:50:3	E-mail

Requested data

1	Pump type	End Suction Volute Pump	Fluid	Water
2	Number of pumps / Reserve	1 / 0	Liquid temperature	°C 20
3	Flow	m³/h	Kin. viscosity	mm²/s 1.005
4	Head	m	Vapour pressure	bar 0.0234
5	Geodetic head	m	PH value	
6	Inlet pressure (pin)	bar	Density	kg/m³ 998.3
7	Available system NPSH		Solids	Weight % 0
8	Ambient temperature	°C 20		

Pump

9	Pump Name	GS4 125-315-334/B/37	Frequency	Hz	50
10	Design	End Suction Volute Pump	Installation type	with base, motor	
11	Manufacturer	EBARA	Impeller Diameter	Max.	mm 334
12	Speed	rpm 1450		Designed	mm 334
13	No. of Stage	1		Min.	mm 259
14	Connection	Suction side EN PN16	Flow	Operating	m³/h
15	Connection	Discharge side EN PN16		Max-	m³/h 429
16	Max Working Pressure	bar 16		Min-	m³/h 45.4
17	Shut-off head	bar 3.75	Head	Operating	m
18	Total weight	kg See the table of "Dimensions".		- (Qmax.)	m 23.3
19	Shaft power	kW		- (Qmin.)	m 37.9
20			Max. Shaft Power at max. impeller	kW	35.03
21	Required pump NPSH	m	Efficiency	%	

Materials

22	Casing	Cast iron		
23	Impeller	Cast iron		
24	Shaft	Cr. Steel		
25	Case wear ring	Bronze		
26	O-ring	EPDM		
27	Mechanical seal	SiC/Carbon/EPDM		

Motor

28	Manufacturer	TECHTOP	Insulation class	F
29	Type	225S_37_3_400	Phases	3~
30	Specific design	TEFC/B3/IE3/TC / 50 Hz / Pole pairs 2	Frame size	225S
31	Rated power	kW 37	Weight	kg 344
32	Number of poles	4	Electric voltage	V 400
33	Speed	rpm 1470	Electric current	A 71.1
34	Degree of protection	IP55		
35				

Remarks

Performance Curve

Pump Name

GS4 125-315-334/B/37

Customer	Date	2024-06-14	Company
Contact	Item no.		Issued by
Phone	Project		Phone
E-mail	Project ID	Project redenumit 2024-06-14 18:50:3	E-mail

Requested data

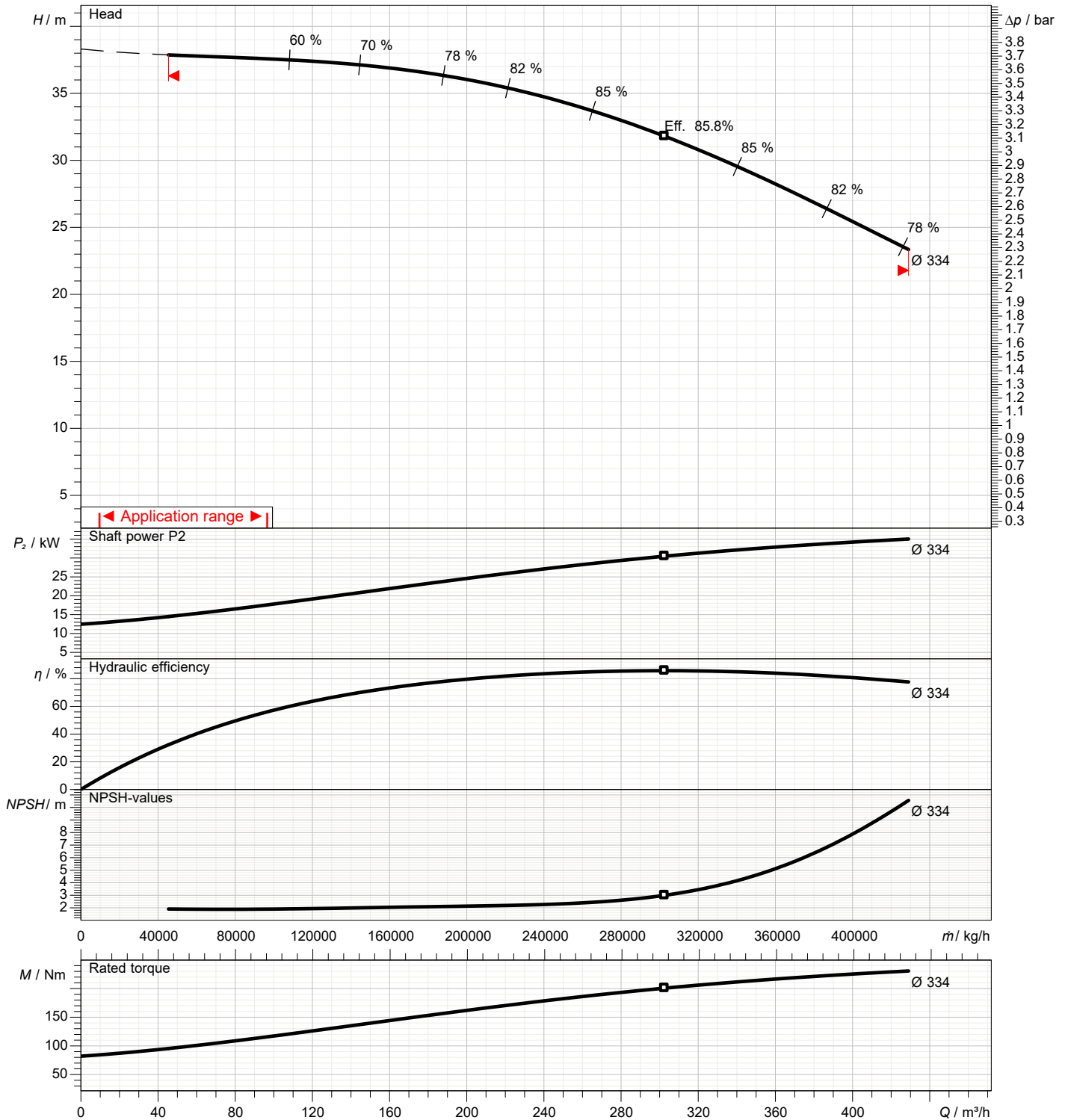
1	Flow	m³/h	
2	Head	m	
3	Geodetic head	m	

Pump

Operating flow	m³/h		Frequency	Hz	50
Operating head	m		Number of poles		4
Impeller diameter designed	mm	334	Speed	rpm	1450

Test standard: ISO 9906:2012 - Grade3B

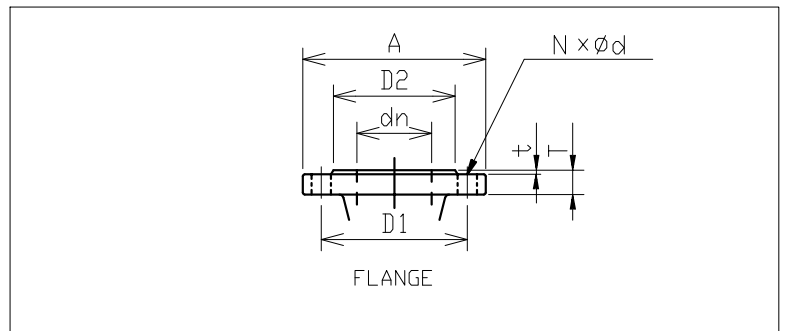
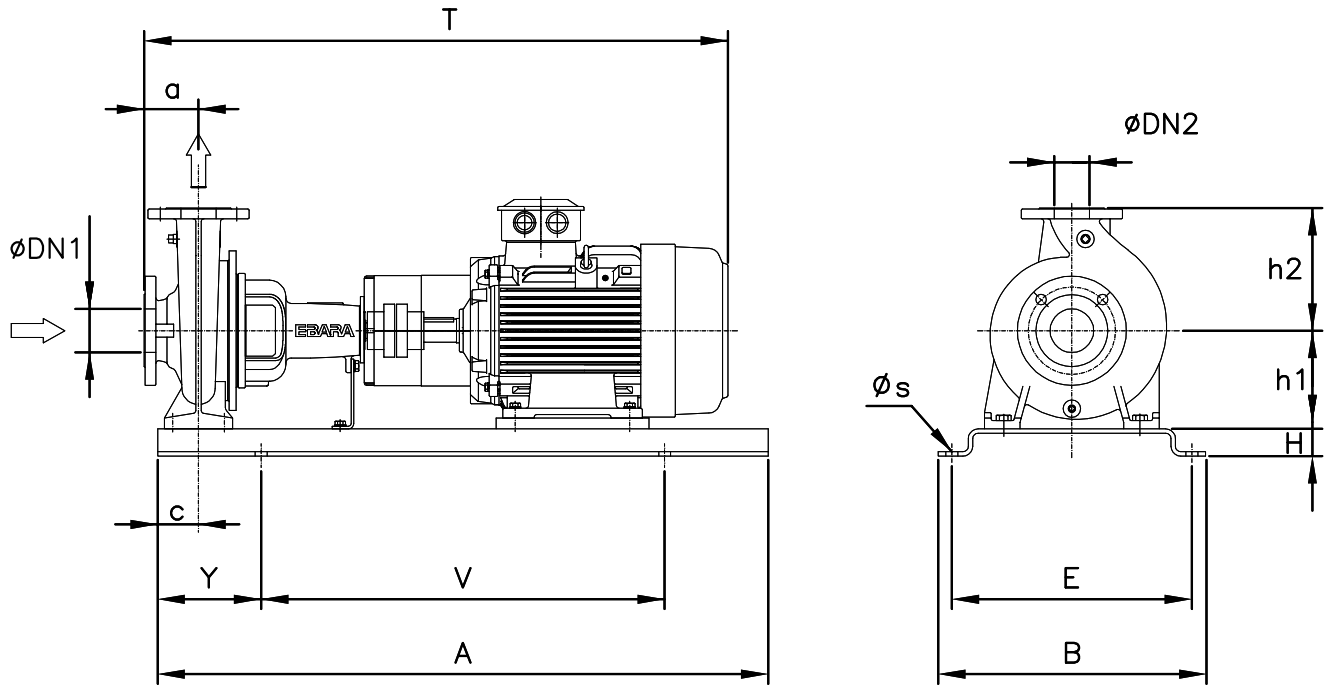
Water; 20°C; 998.3kg/m³; 1mm²/s



Dimensions

Pump name GS4 125-315-334/B/37

Customer	Date 2024-06-14	Company
Contact	Item no.	Issued by
Phone	Project	Phone
E-mail	Project ID Proiect redenumit 2024-06-14 18:50:31	E-mail



Total weight : 644 kg

Pump dimensions		mm	Suction side	mm	Discharge side	mm
a	140		A	285	A	250
A	1400		d	23	d	19
B	730		D1	240	D1	210
c	140		D2	211	D2	184
DN1	150		dn	150	dn	125
DN2	125		N	8(Num)	N	8(Num)
E	670		t	2	t	2
H	75		T	26	T	26
h1	280					
h2	355					
s	26					
T	1559					
V	940					
Y	230					

Construction

Pump name GS4 125-315-334/B/37

Customer	Date 2024-06-14	Company
Contact	Item no.	Issued by
Phone	Project	Phone
E-mail	Project ID Proiect redenumit 2024-06-14 18:50:31	E-mail