

Technical Data

Pump Name

GS4 40-315-334/B/7.5

Customer	Date	2024-06-14	Company
Contact	Item no.		Issued by
Phone	Project		Phone
E-mail	Project ID	Proiect redenumit 2024-06-14 18:50:3	E-mail

Requested data

1	Pump type	End Suction Volute Pump	Fluid	Water
2	Number of pumps / Reserve	1 / 0	Liquid temperature	°C 20
3	Flow	m³/h	Kin. viscosity	mm²/s 1.005
4	Head	m	Vapour pressure	bar 0.0234
5	Geodetic head	m	PH value	
6	Inlet pressure (pin)	bar	Density	kg/m³ 998.3
7	Available system NPSH		Solids	Weight % 0
8	Ambient temperature	°C 20		

Pump

9	Pump Name	GS4 40-315-334/B/7.5	Frequency	Hz	50
10	Design	End Suction Volute Pump	Installation type	with base, motor	
11	Manufacturer	EBARA	Impeller Diameter	Max.	mm 334
12	Speed	rpm 1450		Designed	mm 334
13	No. of Stage	1		Min.	mm 263
14	Connection	Suction side EN PN16	Flow	Operating	m³/h
15	Connection	Discharge side EN PN16		Max-	m³/h 49.8
16	Max Working Pressure	bar 16		Min-	m³/h 5.46
17	Shut-off head	bar 3.87	Head	Operating	m
18	Total weight	kg See the table of "Dimensions".		- (Qmax.)	m 25.0
19	Shaft power	kW		- (Qmin.)	m 39.2
20			Max. Shaft Power at max. impeller	kW	7.25
21	Required pump NPSH	m	Efficiency	%	

Materials

22	Casing	Cast iron		
23	Impeller	Cast iron		
24	Shaft	Cr. Steel		
25	Case wear ring	Bronze		
26	O-ring	EPDM		
27	Mechanical seal	SiC/Carbon/EPDM		

Motor

28	Manufacturer	WEG	Insulation class	F
29	Type	132M_7.5_3_400	Phases	3~
30	Specific design	TEFC/B3/IE3/W22 / 50 Hz / Pole pairs 2	Frame size	132M
31	Rated power	kW 7.5	Weight	kg 74
32	Number of poles	4	Electric voltage	V 400
33	Speed	rpm 1460	Electric current	A 13.9
34	Degree of protection	IP55		
35				

Remarks

Performance Curve

Pump Name

GS4 40-315-334/B/7.5

Customer	Date	2024-06-14	Company
Contact	Item no.		Issued by
Phone	Project		Phone
E-mail	Project ID	Proiect redenumit 2024-06-14 18:50:3	E-mail

Requested data

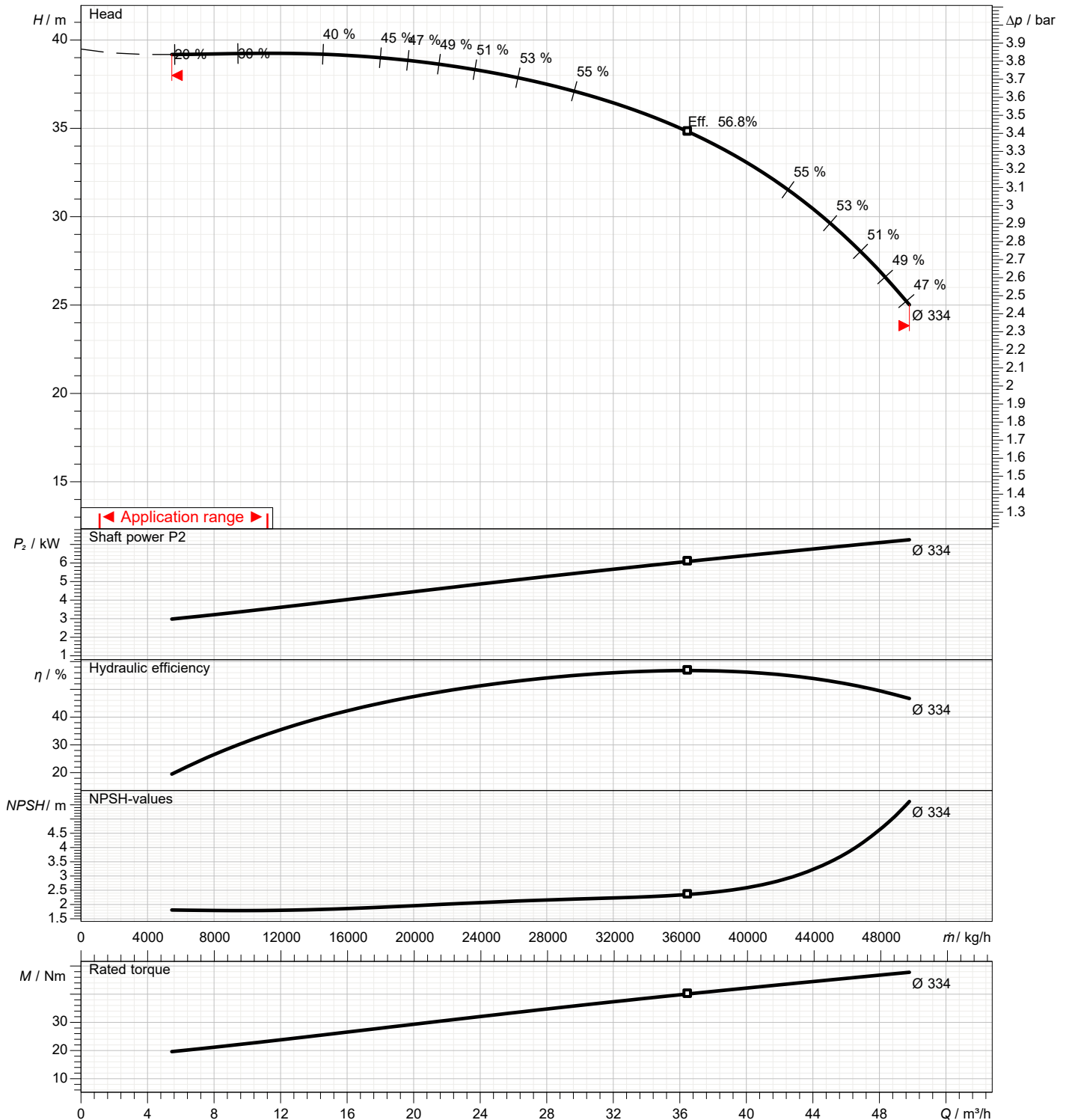
1	Flow	m³/h	
2	Head	m	
3	Geodetic head	m	

Pump

Operating flow	m³/h		Frequency	Hz	50
Operating head	m		Number of poles		4
Impeller diameter designed	mm	334	Speed	rpm	1450

Test standard: ISO 9906:2012 - Grade3B

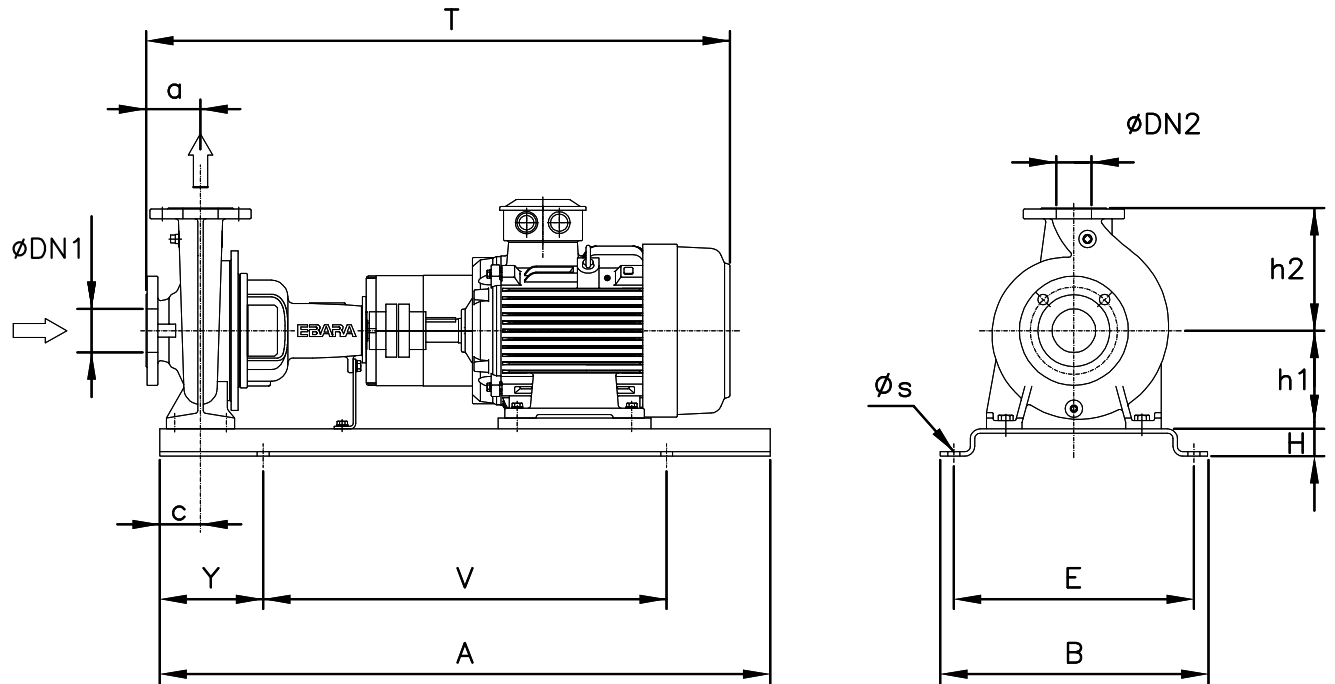
Water; 20°C; 998.3kg/m³; 1mm²/s



Dimensions

Pump name GS4 40-315-334/B/7.5

Customer	Date 2024-06-14	Company
Contact	Item no.	Issued by
Phone	Project	Phone
E-mail	Project ID Proiect redenumit 2024-06-14 18:50:31	E-mail



Total weight : 203 kg

Pump dimensions		mm	Suction side	mm	Discharge side	mm
a	125		A	185	A	150
A	1120		d	19	d	19
B	610		D1	145	D1	110
c	125		D2	118	D2	84
DN1	65		dn	65	dn	40
DN2	40		N	4(Num)	N	4(Num)
E	550		t	2	t	2
H	50		T	20	T	18
h1	225					
h2	250					
s	22					
T	1088					
V	740					
Y	190					

Construction

Pump name GS4 40-315-334/B/7.5

Customer	Date 2024-06-14	Company
Contact	Item no.	Issued by
Phone	Project	Phone
E-mail	Project ID Proiect redenumit 2024-06-14 18:50:31	E-mail