

Technical Data

Pump Name

GSS 80-315L /160

Customer	Date	2024-06-16	Company
Contact	Item no.		Issued by
Phone	Project		Phone
E-mail	Project ID	Proiect redenumit 2024-06-16 12:31:28	E-mail

Requested data

1	Pump type	End Suction Volute Pump	Fluid	Water
2	Number of pumps / Reserve	1 / 0	Liquid temperature	°C
3	Flow	m³/h	Kin. viscosity	mm²/s
4	Head	m	Vapour pressure	bar
5	Geodetic head	m	PH value	
6	Inlet pressure (pin)	bar	Density	kg/m³
7	Available system NPSH		Solids	Weight %
8	Ambient temperature	°C		

Pump

9	Pump Name	GSS 80-315L /160	Frequency	Hz	50	
10	Design	End Suction Volute Pump	Installation type	with Channel base, motor		
11	Manufacturer	EBARA	Impeller Diameter	Max.	mm	
12	Speed	rpm		2900	Designed	mm
13	No. of Stage	1		Min.	mm	265
14	Connection	Suction side	EN	PN16	Flow	
15	Connection	Discharge side	EN	PN16		Operating
16	Max Working Pressure	bar	16			m³/h
17	Shut-off head	bar	14.32	Head	Operating	
18	Total weight	kg	See the table of "Dimensions".		- (Qmax.)	m
19	Shaft power	kW			- (Qmin.)	m
20				Max. Shaft Power at max. impeller	kW	
21	Required pump NPSH	m		Efficiency	%	

Materials

22	Casing	SCS13		
23	Impeller	SCS13		
24	Shaft	SUS329J3L/S35C		
25	Case wear ring	SUS316		
26	O-ring	FKM		
27	Mechanical Seal	SiC/Carbon/FKM		

Motor

28	Manufacturer	EBARA Standard	Insulation class	F	
29	Type	315LA_160_3_380	Phases	3~	
30	Specific design	TEFC/B3/AESV1S / 50 Hz / Pole pairs 1	Frame size	315LA	
31	Rated power	kW	160	Weight	kg
32	Number of poles	2		Electric voltage	V
33	Speed	rpm	2970	Electric current	A
34	Degree of protection	IP55			
35					

Remarks

Performance Curve

Pump Name

GSS 80-315L /160

Customer	Date	2024-06-16	Company
Contact	Item no.		Issued by
Phone	Project		Phone
E-mail	Project ID	Project redenumit 2024-06-16 12:31:28	E-mail

Requested data

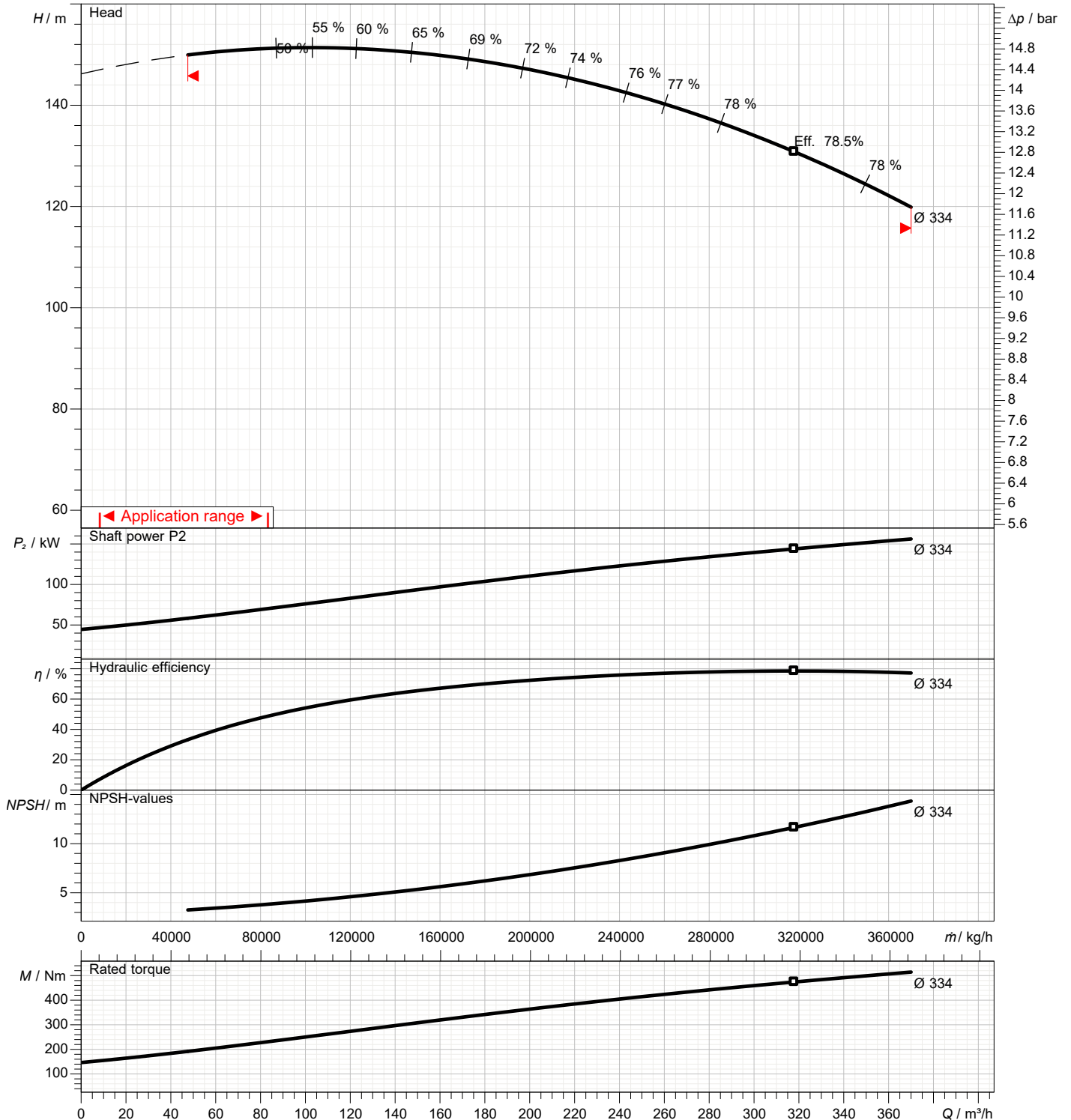
1	Flow	m³/h	
2	Head	m	
3	Geodetic head	m	

Pump

Operating flow	m³/h		Frequency	Hz	50
Operating head	m		Number of poles		2
Impeller diameter designed	mm	334	Speed	rpm	2900

Test standard: ISO 9906:2012 - Grade3B

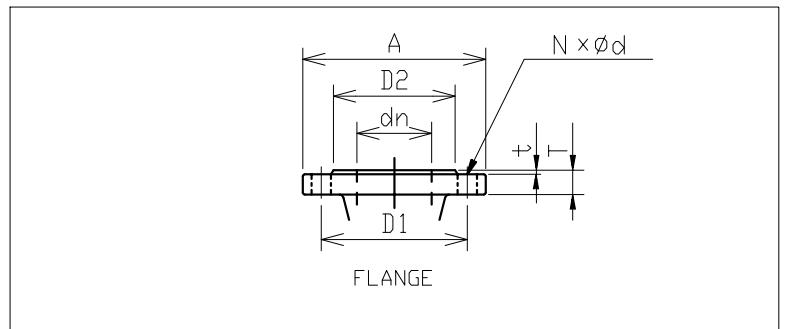
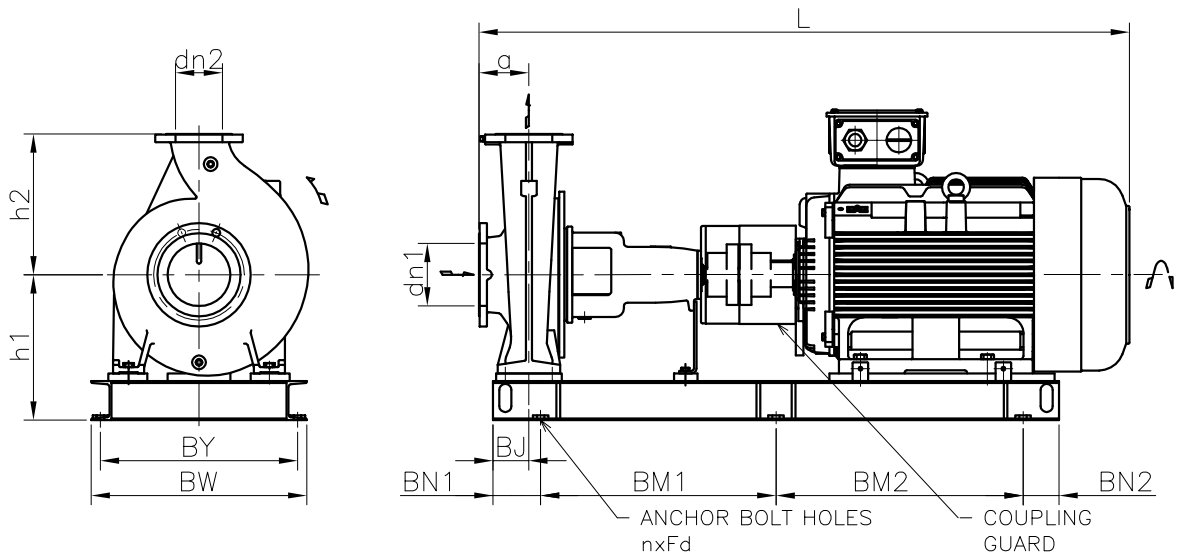
Water; 20°C; 998.3kg/m³; 1mm²/s



Dimensions

Pump name GSS 80-315L /160

Customer	Date 2024-06-16	Company
Contact	Item no.	Issued by
Phone	Project	Phone
E-mail	Project ID Proiect redenumit 2024-06-16 12:31:28	E-mail



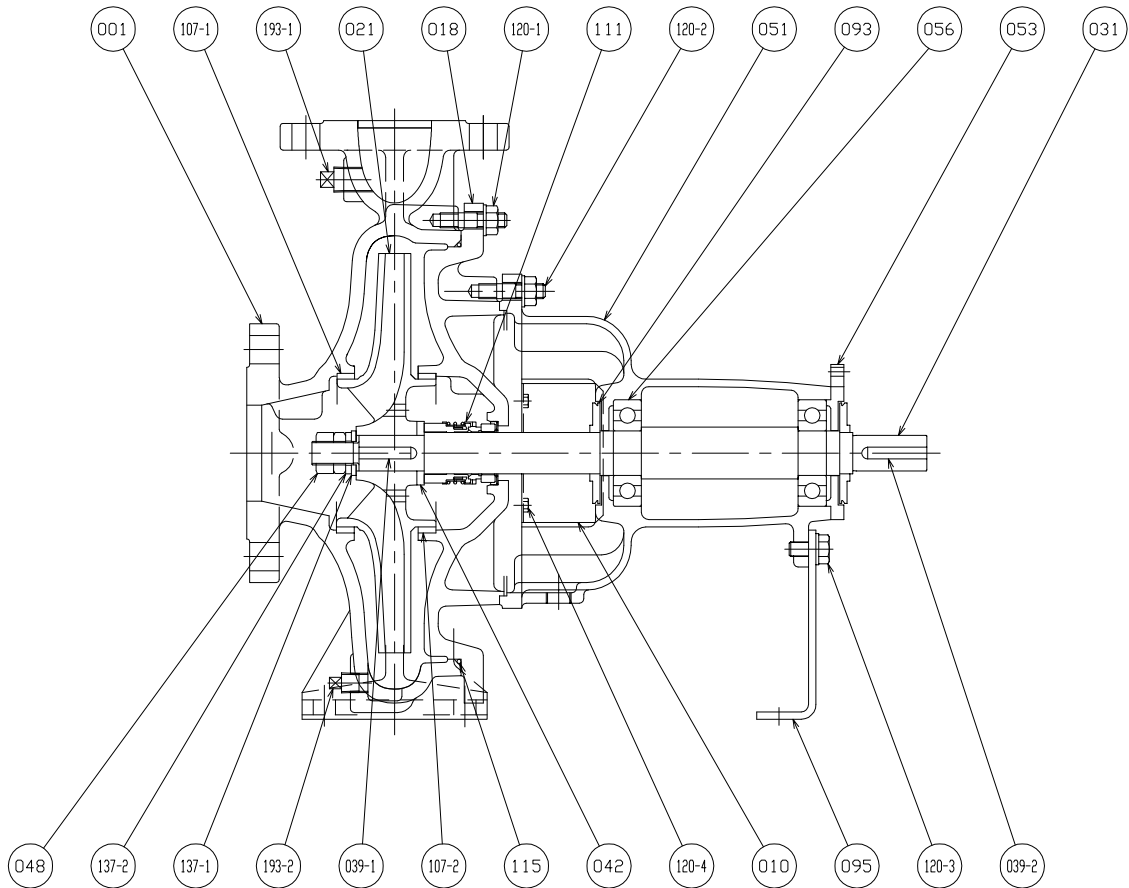
Total weight : 1414 kg

Pump dimensions		mm	Suction side	mm	Discharge side	mm
a	125		A	220	A	200
BJ	120		d	18	d	18
BM1	760		D1	180	D1	160
BM2	760		D2	158	D2	138
BN1	120		dn	100	dn	80
BN2	120		N	8(Num)	N	8(Num)
BW	690		t	2	t	2
BY	630		T	20	T	20
dn1	100					
dn2	80					
h1	465					
h2	315					
L	2025					
nxFd	6xM20					

Construction

Pump name GSS 80-315L /160

Customer	Date 2024-06-16	Company
Contact	Item no.	Issued by
Phone	Project	Phone
E-mail	Project ID Proiect redenumit 2024-06-16 12:31:28	E-mail



(*1) Duplex stainless steel is used for wetted part only. The remaining atmospheric side of shaft is made of carbon steel.

No.	NAME OF PART	MATERIAL	Qty	No.	NAME OF PART	MATERIAL	Qty
107-2	CASING RING	SUS316 X5CrNiMo17-12-2<1. 4401>	1				
107-1	CASING RING	SUS316 X5CrNiMo17-12-2<1. 4401>	1				
095	STAY	SPHC -	1				
093	DEFLECTOR	-	2				
056	BALL BEARING	-	2				
053	BEARING COVER	FC150 EN-GJL-150<EN-JL1020>	1				
051	BEARING HOUSING	FC150 EN-GJL-150<EN-JL1020>	1				
048	IMPELLER NUT	SUS304 X5CrNi18-10<1. 4301>	1	193-2	PLUG	SUS304 X5CrNi18-10<1. 4301>	1
042	SPACER	SUS304 X5CrNi18-10<1. 4301>	1	193-1	PLUG	SUS304 X5CrNi18-10<1. 4301>	1
039-2	KEY	S50C C50<1. 0540>	1	137-2	SPRING LOCK WASHER	SUS304 X5CrNi18-10<1. 4301>	1
039-1	KEY	SUS316 X5CrNiMo17-12-2<1. 4401>	1	137-1	PLAIN WASHER	SUS304 X5CrNi18-10<1. 4301>	1
031	SHAFT(*1)	SUS329J3L /S35C X2CrNiMoN22-5-3<1. 4462> /C35	1	120-4	BOLT	SS -	4
021	IMPELLER	SCS13 GX5CrNi19-10<1. 4308>	1	120-3	BOLT	SS -	1
018	CASING COVER	SCS13 GX5CrNi19-10<1. 4308>	1	120-2	BOLT	SS -	6
010	PROTECTOR	SPCC DC01<1. 0330>	2	120-1	BOLT	SS -	-
001	CASING	SCS13 GX5CrNi19-10<1. 4308>	1	115	O-RING	FKM -	1
				111	MECHANICAL SEAL	-	1