

Technical Data

Pump Name

JESX 8

Customer	Date	2024-06-16	Company
Contact	Item no.		Issued by
Phone	Project		Phone
E-mail	Project ID	Proiect redenumit 2024-06-16 15:45:44	E-mail

Requested data

1	Pump type	CENTRIFUGAL PUMPS	Fluid	Water
2	Number of pumps / Reserve	1 / 0	Liquid temperature	°C 20
3	Flow m³/h		Kin. viscosity	mm²/s 1.005
4	Head m		Vapour pressure	bar 0.0234
5	Geodetic head m		PH value	
6	Inlet pressure (pin) bar	0	Density	kg/m³ 998.3
7	Available system NPSH		Solids	Weight % 0
8	Ambient temperature °C	20		

Pump

9	Pump Name	JESX 8	Frequency	Hz 50
10	Design	CENTRIFUGAL PUMPS	Installation type	STANDARD
11	Manufacturer	EBARA	Impeller Diameter	Max. mm 110
12	Speed rpm	2800		Designed mm 110
13	No. of Stage	1		Min. mm 110
14	Connection Suction side	UNI ISO 228	Flow	Operating m³/h
15	Connection Discharge side	UNI ISO 228		Max- m³/h 2.7
16	Max Working Pressure bar	6		Min- m³/h 0.3
17	Shut-off head bar	4.11	Head	Operating m
18	Total weight kg	See the table of "Dimensions".		- (Qmax.) m 16.0
19	Shaft power kW			- (Qmin.) m 37.0
20			Max. Shaft Power at max. impeller	kW
21	Required pump NPSH m		Efficiency	%

Materials

22	Impeller	PPE+PS glass fibre reinforced	
23	Casing	AISI 304	
24	Shaft	AISI 303 (Wet extension)	
25			
26			
27			

Motor

28	Manufacturer	EPE Standard	Insulation class	F
29	Type	TEFC_JESX 8_230_Three Phase	Phases	3~
30	Specific design	- / 50 Hz / Pole pairs 1	Frame size	
31	Rated power kW	0.6	Weight	kg
32	Number of poles	2	Electric voltage	V 230
33	Speed rpm	2800	Electric current	A 2.25
34	Degree of protection	IP 54		
35				

Remarks

Performance Curve

Pump Name

JESX 8

Customer	Date	2024-06-16	Company
Contact	Item no.		Issued by
Phone	Project		Phone
E-mail	Project ID	Proiect redenumit 2024-06-16 15:45:44	E-mail

Requested data

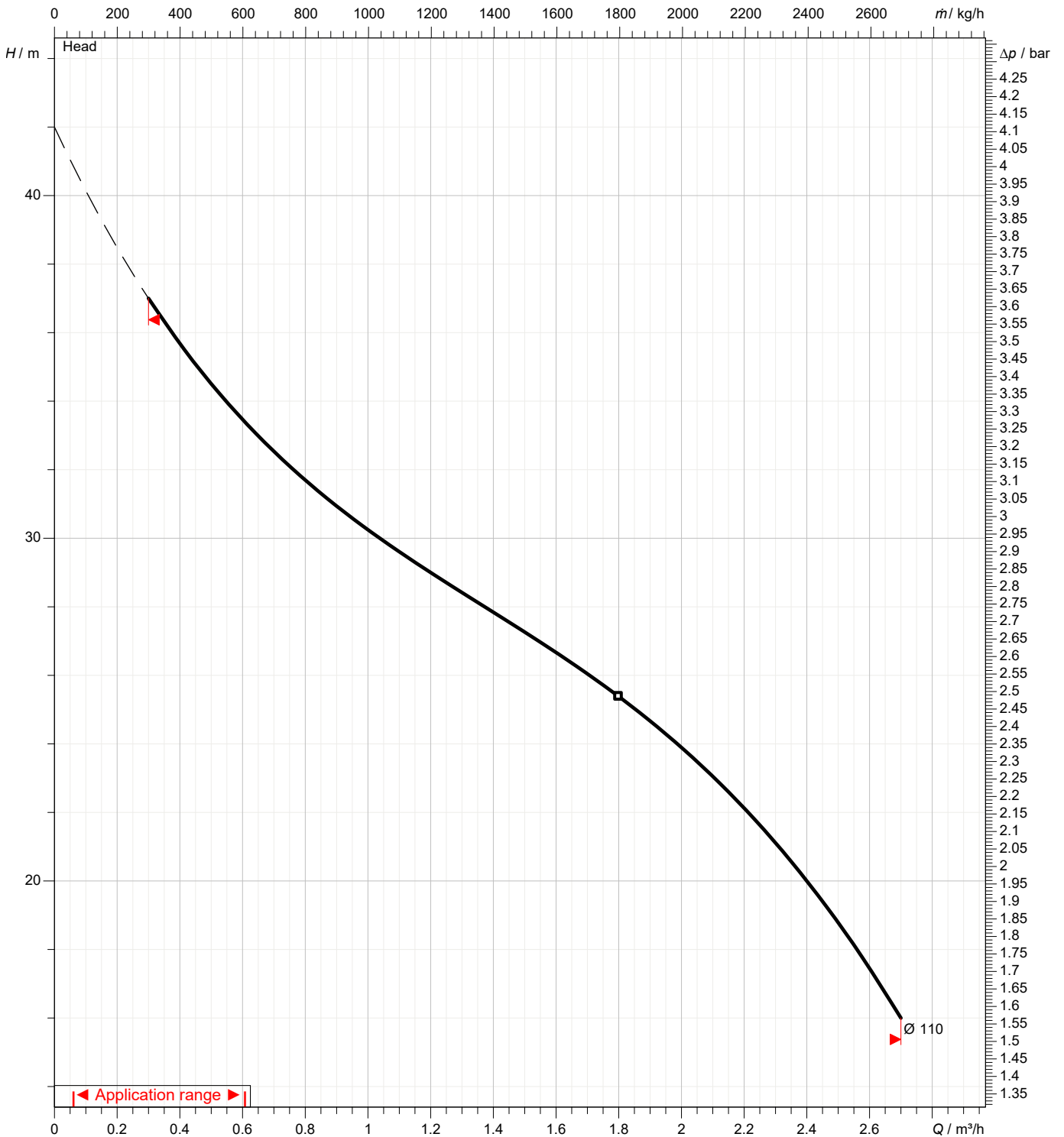
1	Flow	m³/h	
2	Head	m	
3	Geodetic head	m	

Pump

Operating flow	m³/h		Frequency	Hz	50
Operating head	m		Number of poles		2
Impeller diameter designed	mm	110	Speed	rpm	2800

Test standard: ISO 9906:2012 - Grade3B

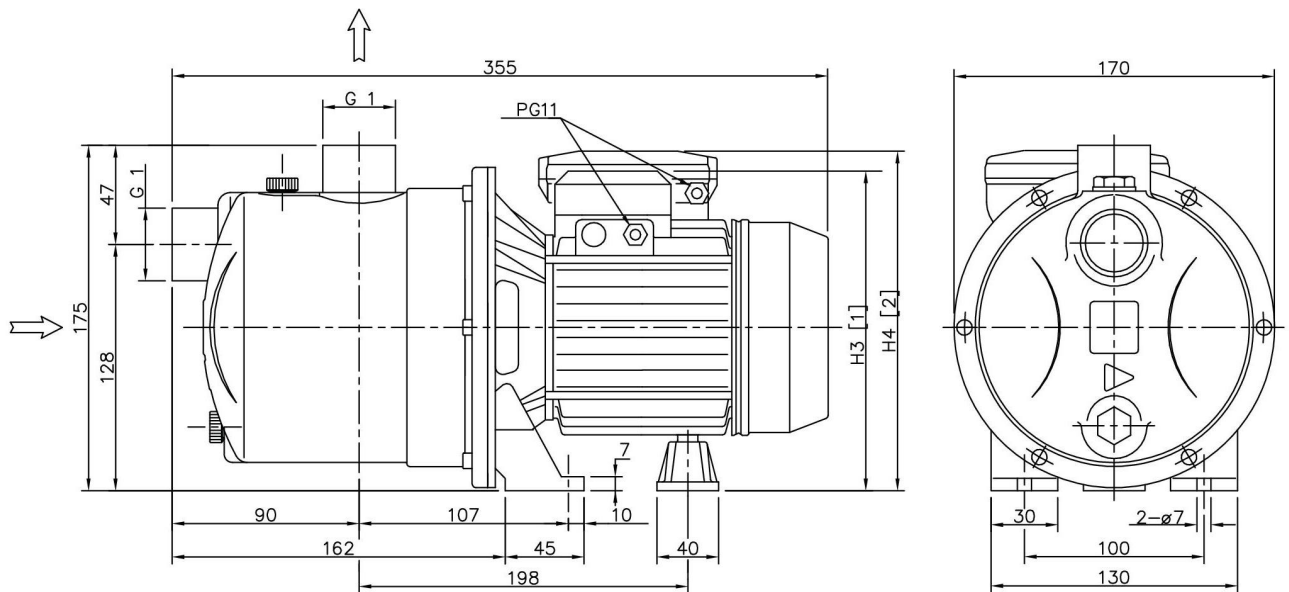
Water; 20°C; 998.3kg/m³; 1mm²/s



Dimensions

Pump Name JESX 8

Customer	Date 2024-06-16	Company
Contact	Item no.	Issued by
Phone	Project	Phone
E-mail	Project ID Proiect redenumit 2024-06-16 15:45:44	E-mail



[1] = Three phase
[2] = Single phase

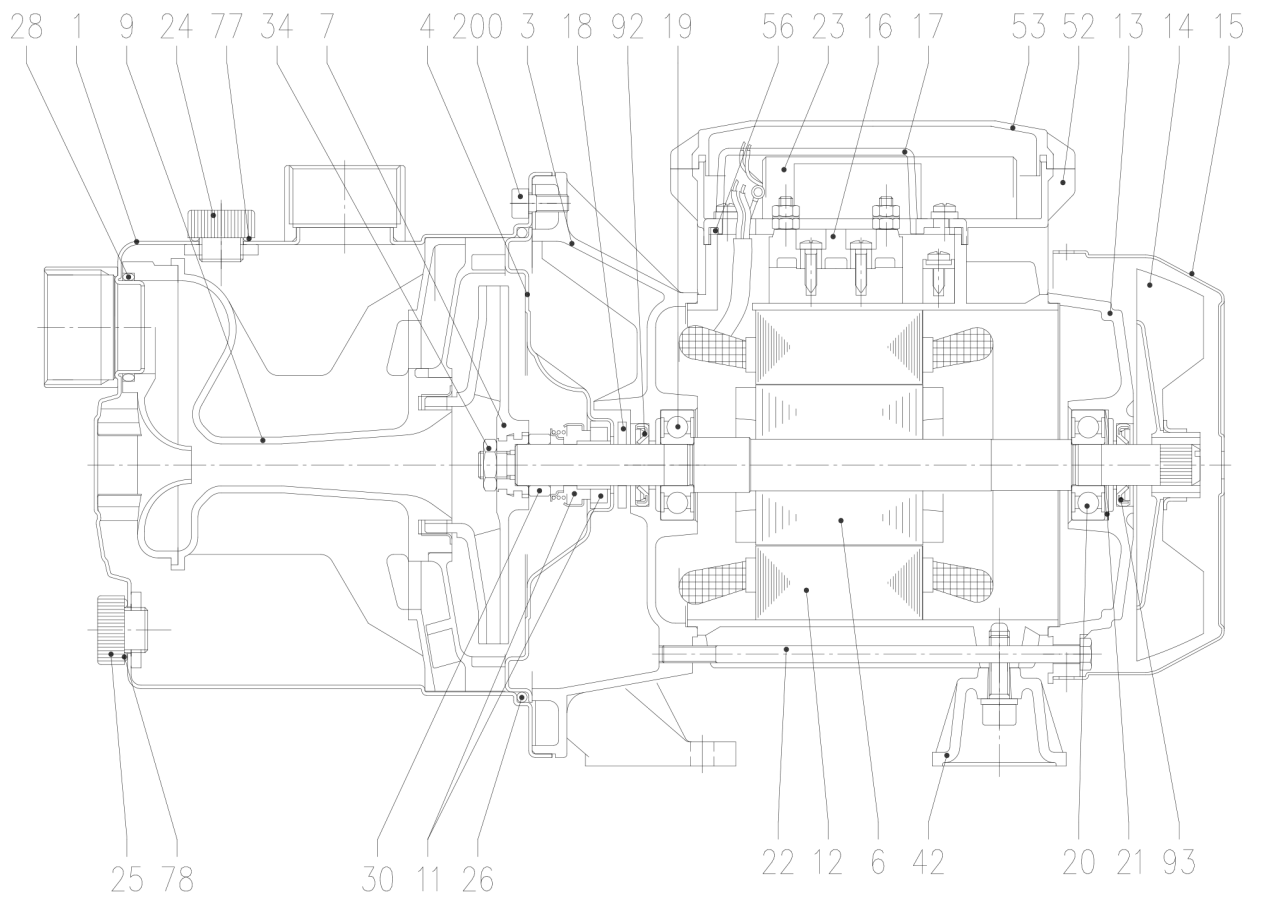
Dimensions in		mm						
1	H3	175						
2	Weight P&M	6 kg						
3								
4								
5								
6								
7								
8								
9								
10								
11								
12								
13								
14								
15								

(1/3)

Construction

Pump Name JESX 8

Customer	Date 2024-06-16	Company
Contact	Item no.	Issued by
Phone	Project	Phone
E-mail	Project ID Proiect redenumit 2024-06-16 15:45:44	E-mail



(2/3)

Construction

Pump Name JESX 8

Customer	Date	2024-06-16	Company
Contact	Item no.		Issued by
Phone	Project		Phone
E-mail	Project ID	Proiect redenumit 2024-06-16 15:45:44	E-mail

N°	PART NAME	MATERIAL	Q.TY
1	Casing	AISI 304	1
3	Motor bracket	Aluminium	1
4	Casing cover	AISI 304	1
6	Shaft with rotor	AISI 303 (Wet extension)	1
7	Impeller	PPE+PS glass fibre reinforced	1
9	Diffuser Venturi tube	PPE+PS glass fibre reinforced	1
11	Mechanical seal [4]	Carbon/Ceramic/NBR	1
12	Motor frame with stator	-	1
13	Motor cover	Aluminium	1
14	Fan	PA	1
15	Fan cover	Fe P04 Zincate	1
16	Terminal board	-	1
17	Terminal box cover [2]	Aluminium	1
18	Splash ring	NBR	1
19	Pump side ball bearing	-	1
20	Fan side ball bearing	-	1
21	Adjusting ring	Steel C70	1
22	Tie rod	Fe 42 Zincate	4
23	Capacitor [1]	-	1
24	Priming plug	PA	1
25	Drain plug	PA	1
26	O-ring	NBR	1
28	O-ring	NBR	1
30	Mechanical seal spacer	Brass	1
34	Impeller nut [2]	AISI 304	1
42	Motor support	Aluminium	1
52	Capacitor box [1]	ABS	1
53	Capacitor box cover with gasket [1]	ABS+NBR	1
56	Box gasket	NBR	1
77	O-ring	NBR	1
78	O-ring	NBR	1
92	Lip seal [3]	-	1
93	Lip seal [3]	-	1
200	Screw	Stainless steel A2 UNI7323	6

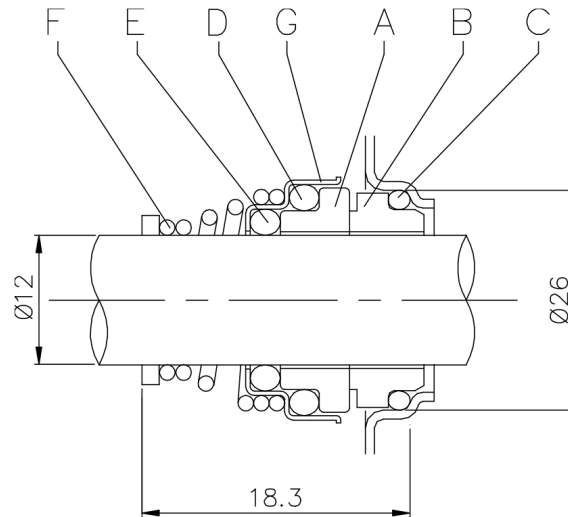
- [1] Only for single phase
[2] Only for three phase
[3] Only for IP55
[4] See **CONSTRUCTION 3**

(3/3)

Construction

Pump Name JESX 8

Customer	Date 2024-06-16	Company
Contact	Item no.	Issued by
Phone	Project	Phone
E-mail	Project ID Proiect redenumit 2024-06-16 15:45:44	E-mail



REF	PART NAME	MATERIAL
A	Rotary seal ring	Ceramic
B	Stationary seal ring	Carbon graphite
C	O Ring	NBR
D	O Ring	NBR
E	O Ring	NBR
F	Self driving spring	AISI 316
G	Frame	AISI 304