

# Technical Data

Pump Name

JEXM 150

Customer	Date	2024-06-16	Company
Contact	Item no.		Issued by
Phone	Project		Phone
E-mail	Project ID	Proiect redenumit 2024-06-16 15:45:44	E-mail

## Requested data

1	Pump type	CENTRIFUGAL PUMPS	Fluid	Water
2	Number of pumps / Reserve	1 / 0	Liquid temperature	°C 20
3	Flow	m³/h	Kin. viscosity	mm²/s 1.005
4	Head	m	Vapour pressure	bar 0.0234
5	Geodetic head	m	PH value	
6	Inlet pressure (pin)	bar	Density	kg/m³ 998.3
7	Available system NPSH		Solids	Weight % 0
8	Ambient temperature	°C 20		

## Pump

9	Pump Name	JEXM 150	Frequency	Hz	50
10	Design	CENTRIFUGAL PUMPS	Installation type		STANDARD
11	Manufacturer	EBARA	Impeller Diameter	Max.	mm 141
12	Speed	rpm 2800		Designed	mm 141
13	No. of Stage	1		Min.	mm 141
14	Connection	Suction side UNI ISO 228	Flow	Operating	m³/h
15	Connection	Discharge side UNI ISO 228		Max-	m³/h 4.5
16	Max Working Pressure	bar 6		Min-	m³/h 1.2
17	Shut-off head	bar 5.78	Head	Operating	m
18	Total weight	kg See the table of "Dimensions".		- (Qmax.)	m 29.5
19	Shaft power	kW		- (Qmin.)	m 49.0
20			Max. Shaft Power at max. impeller	kW	
21	Required pump NPSH	m	Efficiency	%	

## Materials

22	Impeller	AISI 304		
23	Casing	AISI 304		
24	Shaft	AISI 303 (Wet extension)		
25				
26				
27				

## Motor

28	Manufacturer	EPE Standard	Insulation class	F
29	Type	TEFC_JEXM 150_230_Single Phase	Phases	1~
30	Specific design	IE2 / 50 Hz / Pole pairs 1	Frame size	
31	Rated power	kW 1.3	Weight	kg
32	Number of poles	2	Electric voltage	V 230
33	Speed	rpm 2800	Electric current	A 7.4
34	Degree of protection	IP 54		
35				

## Remarks

# Performance Curve

Pump Name

JEXM 150

Customer	Date	2024-06-16	Company
Contact	Item no.		Issued by
Phone	Project		Phone
E-mail	Project ID	Proiect redenumit 2024-06-16 15:45:44	E-mail

**Requested data**

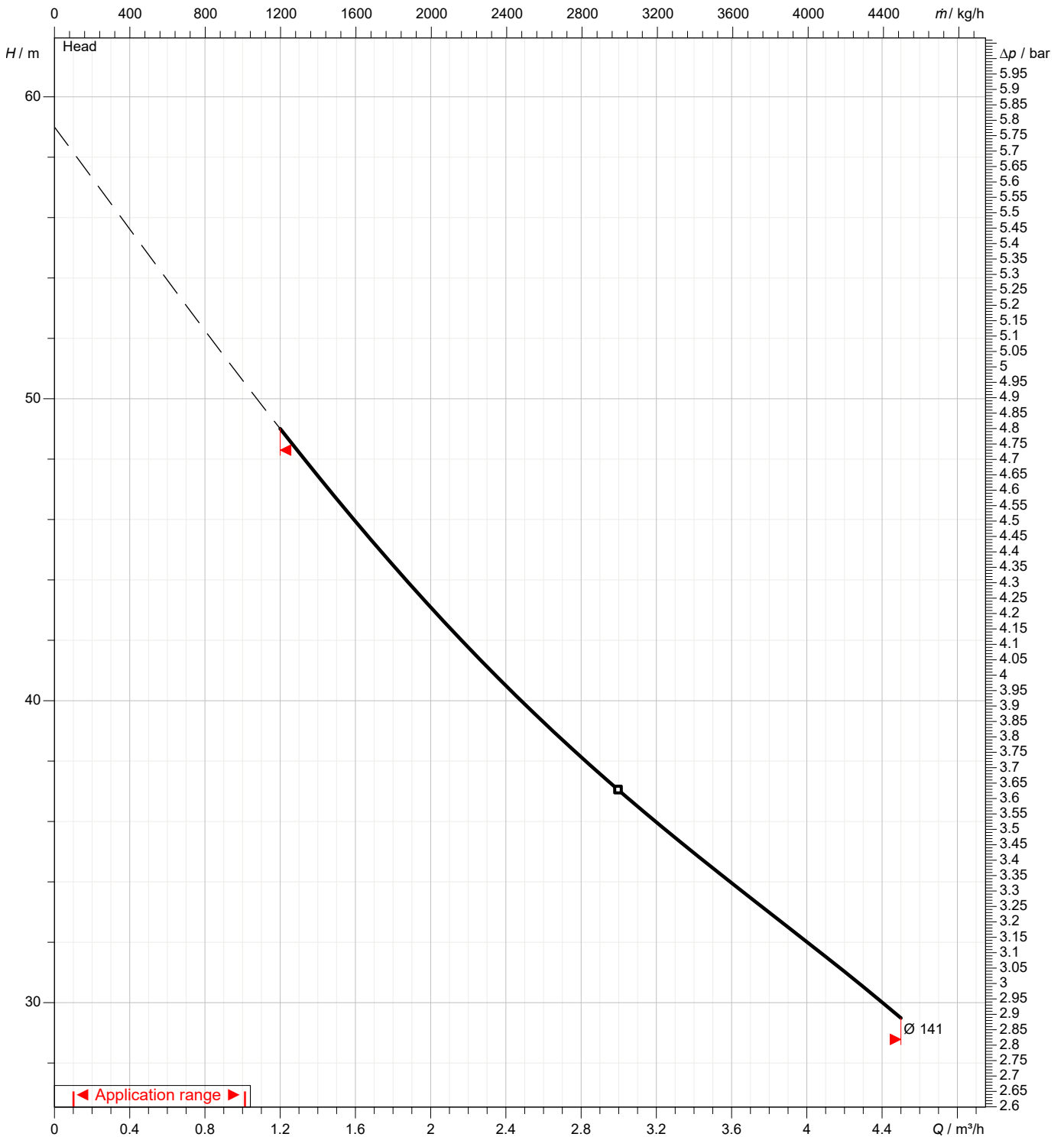
1	Flow	m³/h	
2	Head	m	
3	Geodetic head	m	

**Pump**

Operating flow	m³/h	Frequency	Hz	50	
Operating head	m	Number of poles		2	
Impeller diameter designed	mm	141	Speed	rpm	2800

Test standard: ISO 9906:2012 - Grade3B

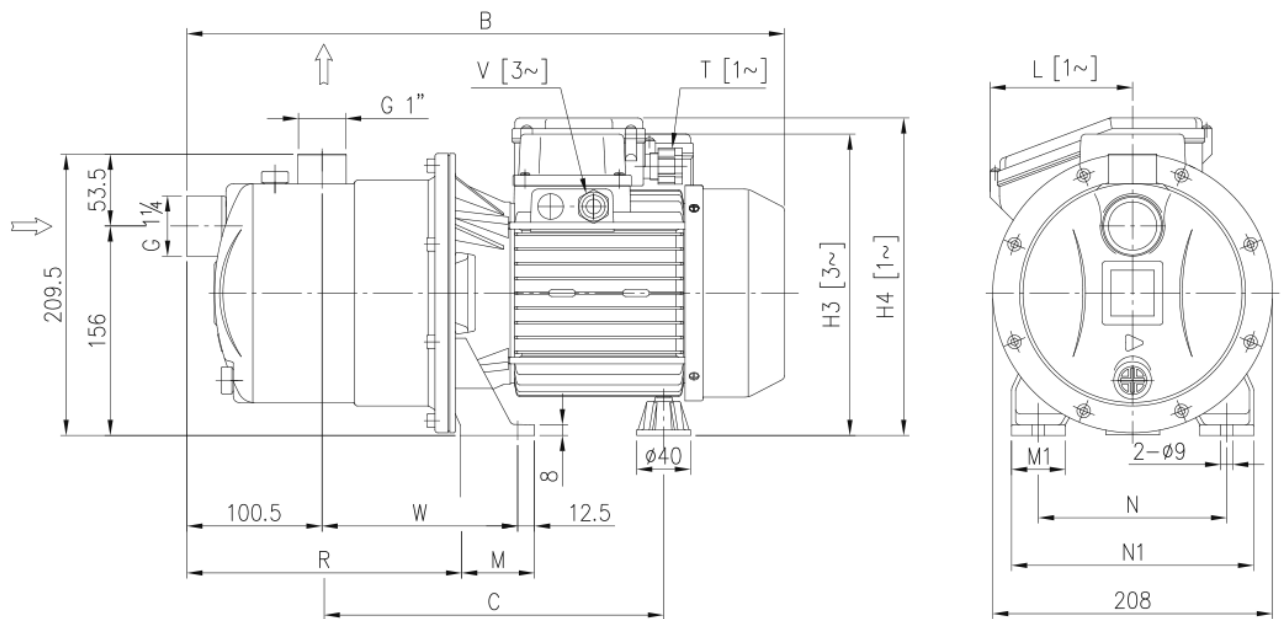
Water; 20°C; 998.3kg/m³; 1mm²/s



# Dimensions

Pump Name JEXM 150

Customer	Date 2024-06-16	Company
Contact	Item no.	Issued by
Phone	Project	Phone
E-mail	Project ID Proiect redenumit 2024-06-16 15:45:44	E-mail



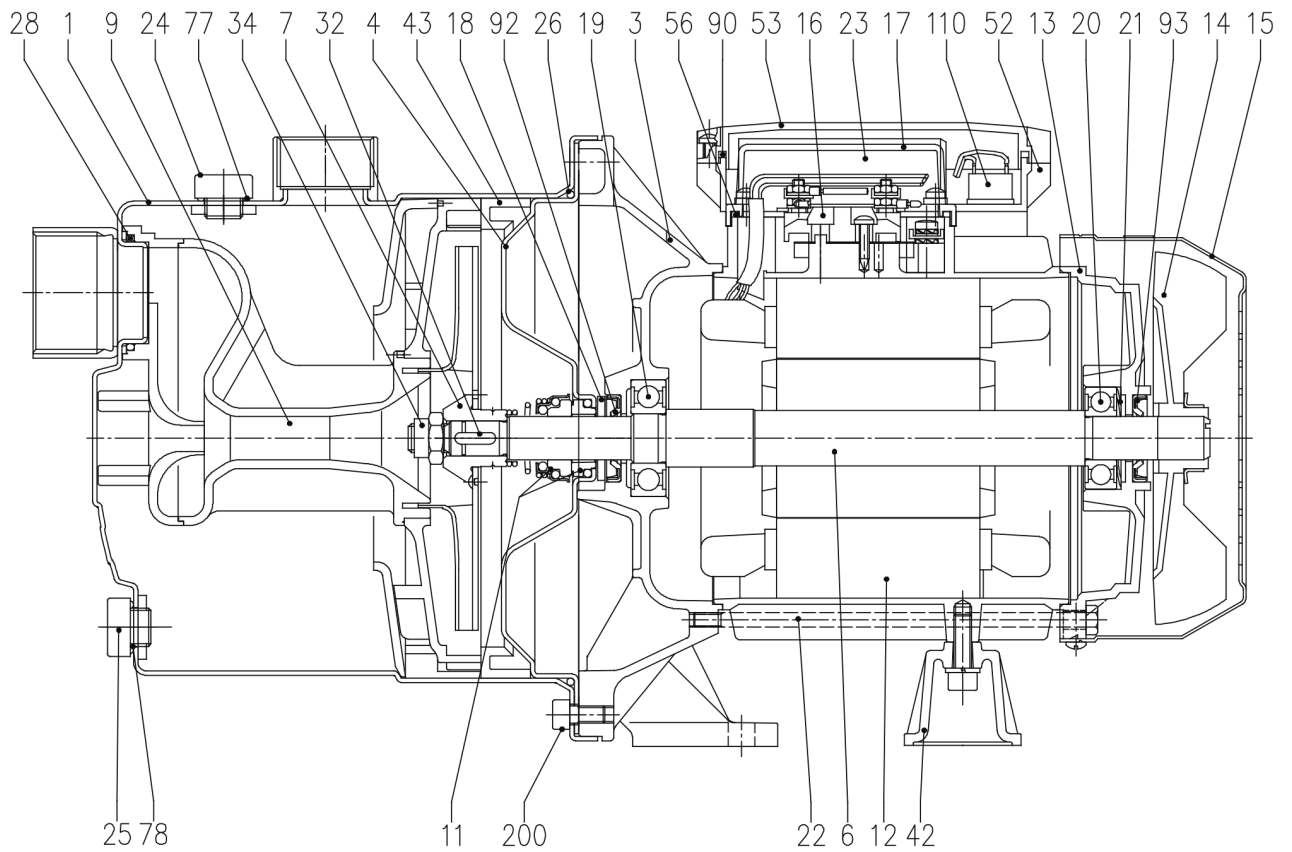
[1~] Single phase  
[3~] Three phase

Dimensions in		mm						
1	B	470						
2	C	254						
3	H4	236.5						
4	L	106						
5	M	55						
6	M1	40						
7	N	140						
8	N1	180						
9	R	203.5						
10	T	PG 13.5						
11	W	145.5						
12	Weight P&M	15,5kg						
13								
14								
15								

# (1/3) Construction

Pump Name JEXM 150

Customer	Date 2024-06-16	Company
Contact	Item no.	Issued by
Phone	Project	Phone
E-mail	Project ID Proiect redenumit 2024-06-16 15:45:44	E-mail



(2/3)

# Construction

Pump Name JEXM 150

Customer	Date 2024-06-16	Company
Contact	Item no.	Issued by
Phone	Project	Phone
E-mail	Project ID Proiect redenumit 2024-06-16 15:45:44	E-mail

N°	PART NAME	MATERIAL	Q.TY
1	Casing	AISI 304	1
3	Motor bracket	Aluminium	1
4	Casing cover	AISI 304	1
6	Shaft with rotor	AISI 303 (Wet extension)	1
7	Impeller	AISI 304	1
9	Diffuser Venturi tube	PPE+PS glass fibre reinforced	1
11	Mechanical seal [6]	Carbon/Ceramic/NBR	1
12	Motor frame with stator	-	1
13	Motor cover	Aluminium	1
14	Fan	PA	1
15	Fan cover	Fe P04 Zincate	1
16	Terminal board	-	1
17	Terminal box cover [2]	Aluminium	1
18	Splash ring	NBR	1
19	Pump side ball bearing	-	1
20	Fan side ball bearing	-	1
21	Adjusting ring	Steel C70	1
22	Tie rod	Fe 420 Zincate	4
23	Capacitor [1]	-	1
24	Priming plug	PA	1
25	Drain plug	PA	1
26	O-ring	NBR	1
28	O-ring	NBR	1
32	Key	AISI 304	1
34	Impeller nut	AISI 304	1
42	Motor support	Aluminium	1
43	Space diffuser	PPE+PS glass fibre reinforced	1
52	Capacitor box [1]	ABS class V-0	1
53	Capacitor box cover [4]	ABS class V-0 [4]	1
56	Box gasket	NBR	1
77	O-ring	NBR	1
78	O-ring	NBR	1
90	Terminal box cover gasket [5]	NBR	1
92	Lip seal [3]	-	1
93	Lip seal [3]	-	1
110	Protector [1]	-	1
200	Screw	Stainless steel A2 UNI7323	8

[1] Only for single phase

[2] Only for three phase

[3] Only for IP55

[4] Whit gasket in NBR only for version single phase JEX 80, 100, 120

[5] Only for JEXM 150 IP55

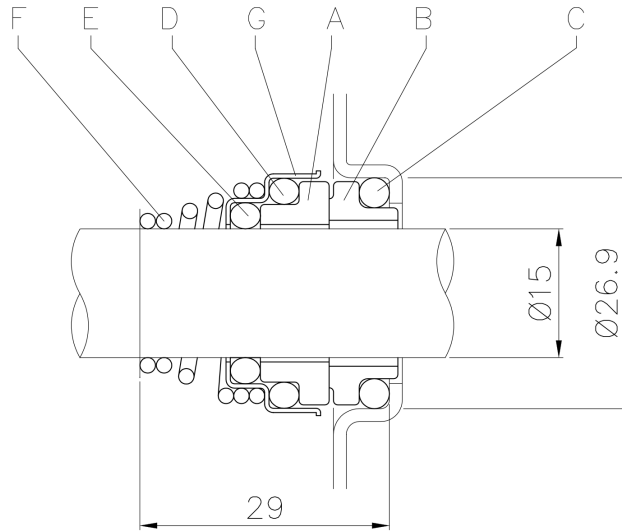
[6] See **CONSTRUCTION 3**

(3/3)

# Construction

Pump Name JEXM 150

Customer	Date 2024-06-16	Company
Contact	Item no.	Issued by
Phone	Project	Phone
E-mail	Project ID Proiect redenumit 2024-06-16 15:45:44	E-mail



REF	PART NAME	MATERIAL
A	Rotary seal ring	Ceramic
B	Stationary seal ring	Carbon graphite
C	O Ring	NBR
D	O Ring	NBR
E	O Ring	NBR
F	Self driving spring	AISI 316
G	Frame	AISI 304