

# Technical Data

Pump Name

LPC4 65-125/0.37 QQPFF

Customer	Date	2024-06-16	Company
Contact	Item no.		Issued by
Phone	Project		Phone
E-mail	Project ID	Proiect redenumit 2024-06-16 15:45:44	E-mail

## Requested data

1	Pump type	CENTRIFUGAL PUMPS	Fluid	Water
2	Number of pumps / Reserve	1 / 0	Liquid temperature	°C 20
3	Flow	m³/h	Kin. viscosity	mm²/s 1.005
4	Head	m	Vapour pressure	bar 0.0234
5	Geodetic head	m	PH value	
6	Inlet pressure (pin)	bar	Density	kg/m³ 998.3
7	Available system NPSH		Solids	Weight % 0
8	Ambient temperature	°C 20		

## Pump

9	Pump Name	LPC4 65-125/0.37 QQPFF	Frequency	Hz	50
10	Design	CENTRIFUGAL PUMPS	Installation type		STANDARD
11	Manufacturer	EBARA	Impeller Diameter	Max.	mm 130
12	Speed	rpm 1450		Designed	mm 130
13	No. of Stage	1		Min.	mm 130
14	Connection	Suction side	Flow	Operating	m³/h
15	Connection	Discharge side		Max-	m³/h 30
16	Max Working Pressure	bar 10		Min-	m³/h 6.36
17	Shut-off head	bar 0.53	Head	Operating	m
18	Total weight	kg See the table of "Dimensions".		- (Qmax.)	m 3.0
19	Shaft power	kW		- (Qmin.)	m 5.3
20			Max. Shaft Power at max. impeller	kW	0.37
21	Required pump NPSH	m	Efficiency	%	

## Materials

22	Impeller	EN-GJL-200		
23	Intermediate casing	EN-GJL-200		
24	Bottom casing	EN-GJL-200		
25	Shaft	Stainless steel		
26	Gasket	AF1600		
27				

## Motor

28	Manufacturer	ICME	Insulation class	F
29	Type	TEFC_LPC4 65-125/0.37_230_Three Phase	Phases	3~
30	Specific design	IE1 / 50 Hz / Pole pairs 2	Frame size	71
31	Rated power	kW 0.37	Weight	kg 7.5
32	Number of poles	4	Electric voltage	V 230
33	Speed	rpm 1380	Electric current	A 2.1
34	Degree of protection	IP 55		
35				

## Remarks

# Performance Curve

Pump Name

LPC4 65-125/0.37 QQPFF

Customer	Date	2024-06-16	Company
Contact	Item no.		Issued by
Phone	Project		Phone
E-mail	Project ID	Proiect redenumit 2024-06-16 15:45:44	E-mail

## Requested data

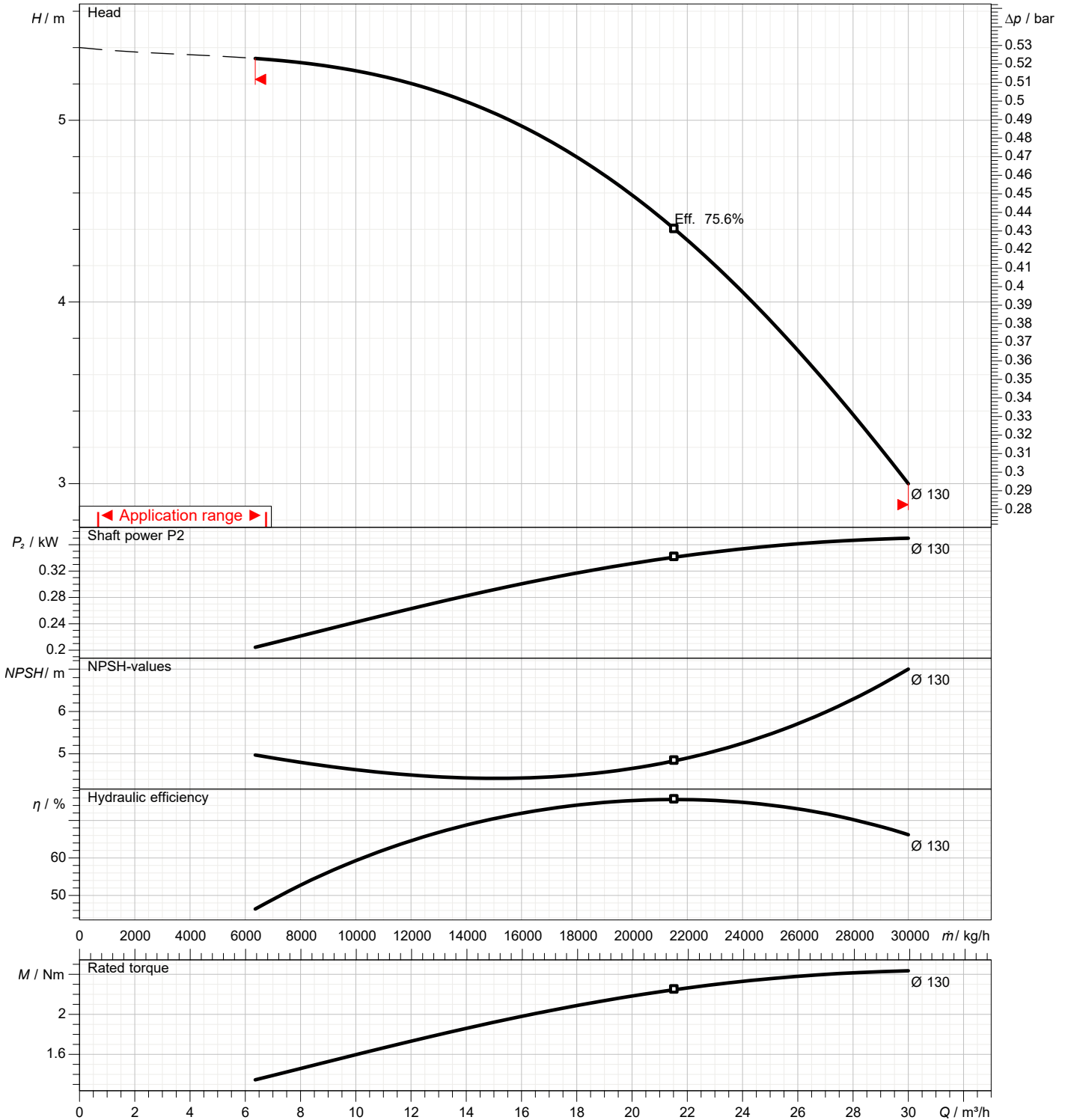
1	Flow	m³/h	
2	Head	m	
3	Geodetic head	m	

## Pump

Operating flow	m³/h		Frequency	Hz	50
Operating head	m		Number of poles		4
Impeller diameter designed	mm	130	Speed	rpm	1450

Test standard: ISO 9906:2012 - Grade3B

Water; 20°C; 998.3kg/m³; 1mm²/s



# Dimensions

Pump name **LPC4 65-125/0.37 QQPFF**

Customer	Date 2024-06-16	Company
Contact	Item no.	Issued by
Phone	Project	Phone
E-mail	Project ID Proiect redenumit 2024-06-16 15:45:44	E-mail

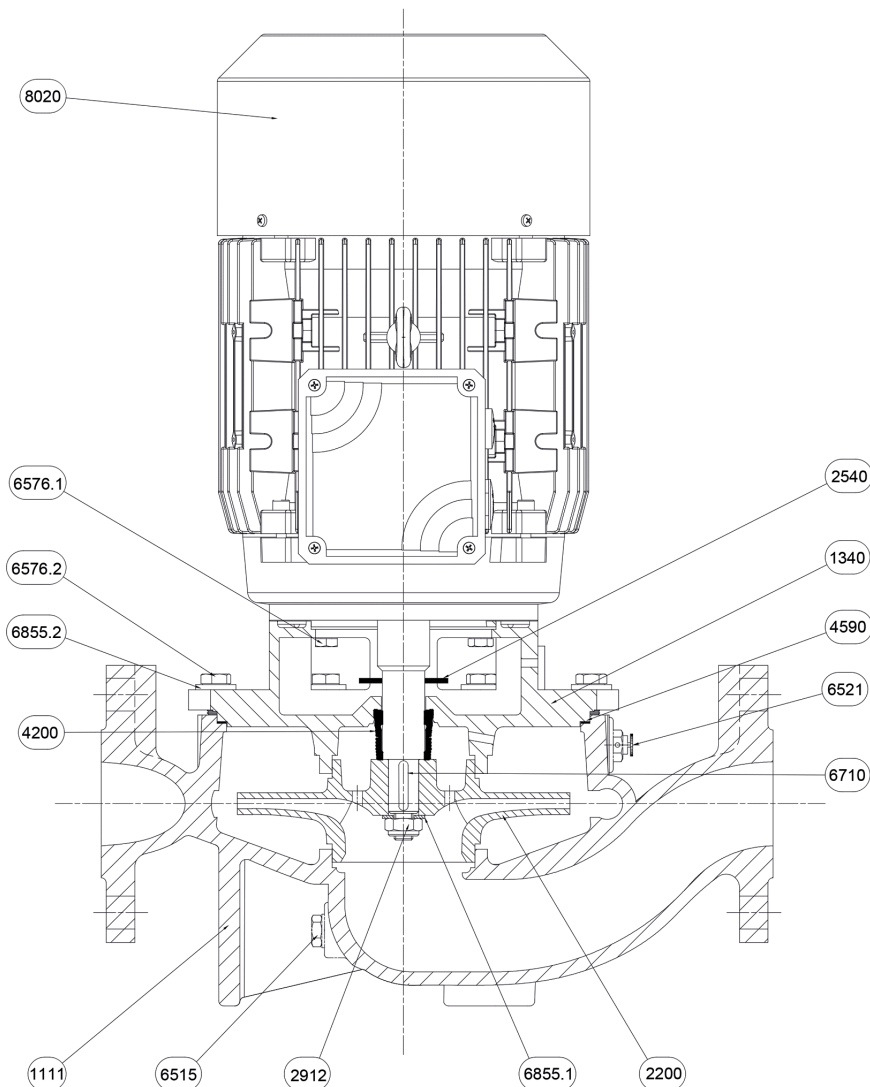


Dimensions in		mm					
1	A	469	L	22			
2	B	140	Weight P&M	25 kg			
3	C	329					
4	D	220					
5	Dia A	145					
6	Dia B	122					
7	Dia D	185					
8	Dia DN	65					
9	Dia n	4					
10	Dia Z	18					
11	E	108					
12	F	112					
13	G	360					
14	H	205					
15	I	155					

# (1/2) Construction

Pump name **LPC4 65-125/0.37 QQPFF**

Customer	Date 2024-06-16	Company
Contact	Item no.	Issued by
Phone	Project	Phone
E-mail	Project ID Proiect redenumit 2024-06-16 15:45:44	E-mail



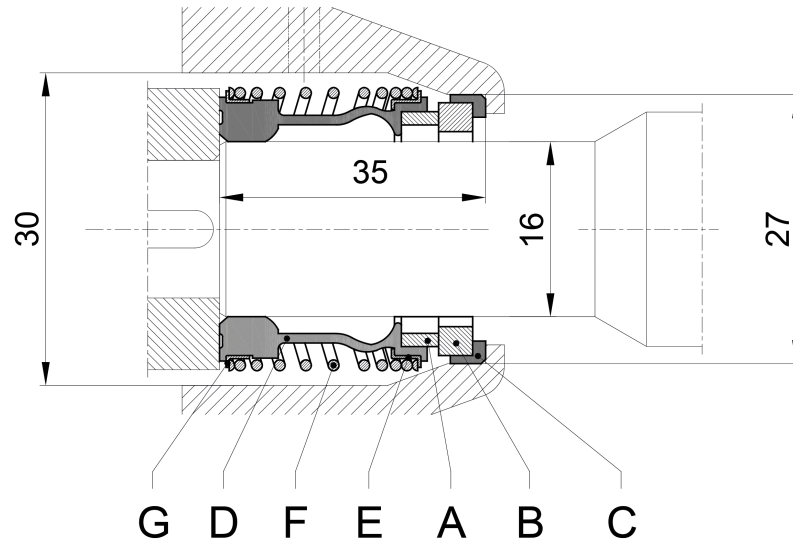
N°	PART NAME	MATERIAL	Q.TY
1111	Pump casing	EN-GJL-200	1
1340	Latern-Cover	EN-GJL-200	1
2200	Impeller	EN-GJL-200	1
2540	Baffle	NB 70	1
2912	Impeller nut	6.8-ZN	1
4200	Mechanical seal	Sic/Sic/NBR/AISI 304	1
4590	Gasket	AF 1600	1
6515	Drain plug	EN-GJMB-350-10	1
6521	Vent valve	CW509L	1
6576.1	Hexagonal head screw	8.8-ZN	4
6576.2	Hexagonal head screw	8.8-ZN	4
6710	Key	C50	1
6855.1	Impeller washer	R40-ZN	1
6855.2	Washer	R40-ZN	4
8020	Motor		1

(2/2)

# Construction

Pump name LPC4 65-125/0.37 QQPFF

Customer	Date 2024-06-16	Company
Contact	Item no.	Issued by
Phone	Project	Phone
E-mail	Project ID Proiect redenumit 2024-06-16 15:45:44	E-mail



Ref.	Name	Material
A	Rotary seal ring	Carbon
B	Stationary seal ring	Silicon Carbide
C	Gasket	EPDM
D	Bellows	EPDM
E	Spring plate	AISI 304
F	Spring	AISI 304
G	Spring plate	AISI 304