

Technical Data

Pump Name

LPCD4 50-160/0.55 QQPFF

| | | | |
|----------|------------|---------------------------------------|-----------|
| Customer | Date | 2024-06-16 | Company |
| Contact | Item no. | | Issued by |
| Phone | Project | | Phone |
| E-mail | Project ID | Proiect redenumit 2024-06-16 15:45:44 | E-mail |

Requested data

| | | | | |
|---|---------------------------|-------------------|--------------------|-------------|
| 1 | Pump type | CENTRIFUGAL PUMPS | Fluid | Water |
| 2 | Number of pumps / Reserve | 1 / 0 | Liquid temperature | °C 20 |
| 3 | Flow m³/h | | Kin. viscosity | mm²/s 1.005 |
| 4 | Head m | | Vapour pressure | bar 0.0234 |
| 5 | Geodetic head m | | PH value | |
| 6 | Inlet pressure (pin) bar | 0 | Density | kg/m³ 998.3 |
| 7 | Available system NPSH | | Solids | Weight % 0 |
| 8 | Ambient temperature °C | 20 | | |

Pump

| | | | | |
|----|---------------------------|--------------------------------|-----------------------------------|-----------------|
| 9 | Pump Name | LPCD4 50-160/0.55 QQPFF | Frequency | Hz 50 |
| 10 | Design | CENTRIFUGAL PUMPS | Installation type | STANDARD |
| 11 | Manufacturer | EBARA | Impeller Diameter | Max. mm 169 |
| 12 | Speed rpm | 1450 | | Designed mm 169 |
| 13 | No. of Stage | 1 | | Min. mm 169 |
| 14 | Connection Suction side | | Flow | Operating m³/h |
| 15 | Connection Discharge side | | | Max- m³/h 21 |
| 16 | Max Working Pressure bar | 10 | | Min- m³/h 4.98 |
| 17 | Shut-off head bar | 0.90 | Head | Operating m |
| 18 | Total weight kg | See the table of "Dimensions". | | - (Qmax.) m 4.4 |
| 19 | Shaft power kW | | | - (Qmin.) m 9.0 |
| 20 | | | Max. Shaft Power at max. impeller | kW 0.50 |
| 21 | Required pump NPSH m | | Efficiency | % |

Materials

| | | | |
|----|---------------------|-----------------|--|
| 22 | Impeller | EN-GJL-200 | |
| 23 | Intermediate casing | EN-GJL-200 | |
| 24 | Bottom casing | EN-GJL-200 | |
| 25 | Shaft | Stainless steel | |
| 26 | Gasket | AF1600 | |
| 27 | | | |

Motor

| | | | | |
|----|----------------------|--|--------------------|-----|
| 28 | Manufacturer | ICME | Insulation class | F |
| 29 | Type | TEFC_LPCD4 50-160/0.55_230_Three Phase | Phases | 3~ |
| 30 | Specific design | IE1 / 50 Hz / Pole pairs 2 | Frame size | 71 |
| 31 | Rated power kW | 0.55 | Weight kg | 8.5 |
| 32 | Number of poles | 4 | Electric voltage V | 230 |
| 33 | Speed rpm | 1380 | Electric current A | 2.8 |
| 34 | Degree of protection | IP 55 | | |
| 35 | | | | |

Remarks

Performance Curve

Pump Name

LPCD4 50-160/0.55 QQPF

| | | | |
|----------|------------|---------------------------------------|-----------|
| Customer | Date | 2024-06-16 | Company |
| Contact | Item no. | | Issued by |
| Phone | Project | | Phone |
| E-mail | Project ID | Project redenumit 2024-06-16 15:45:44 | E-mail |

Requested data

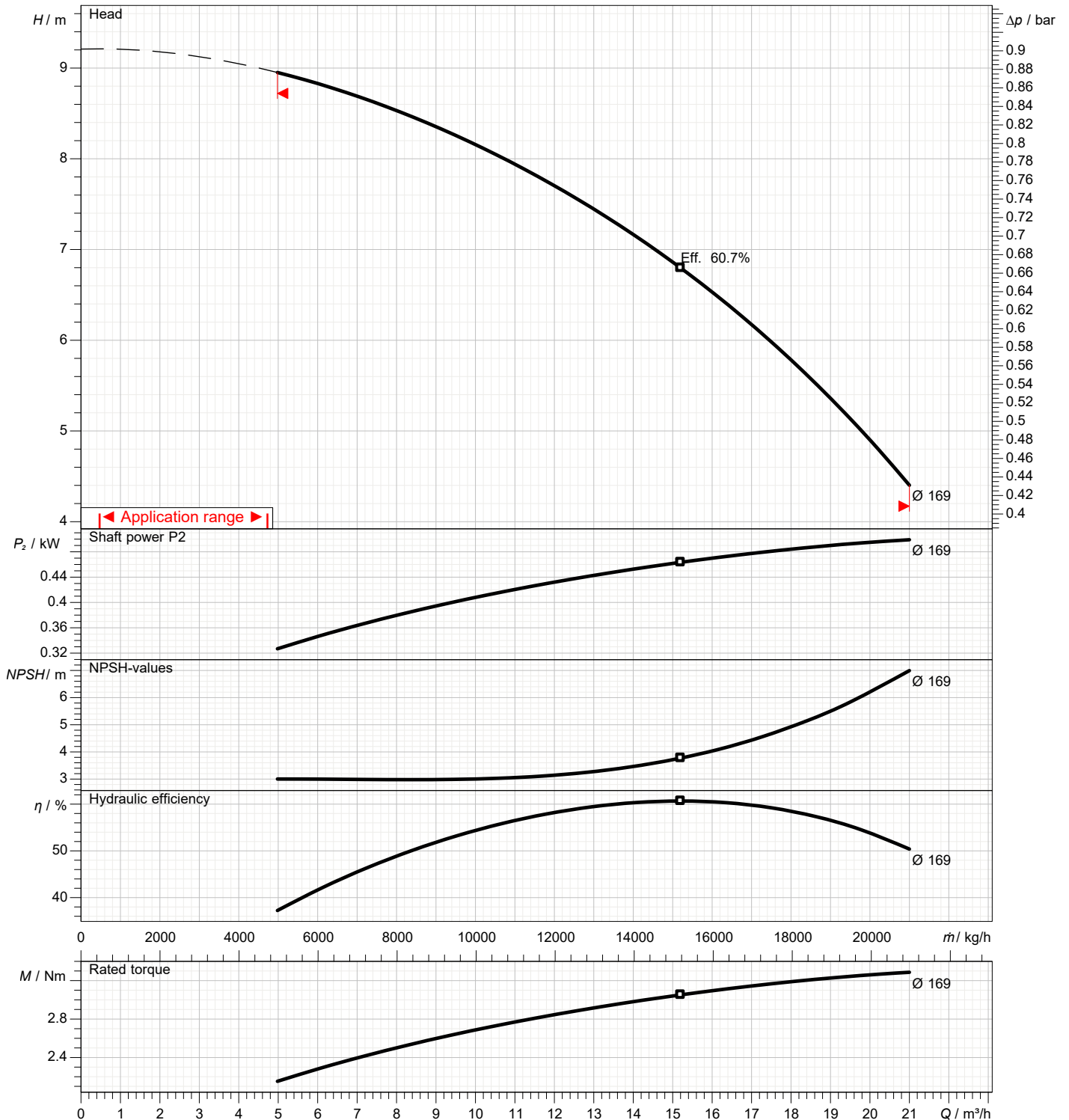
| | | | |
|---|---------------|------|--|
| 1 | Flow | m³/h | |
| 2 | Head | m | |
| 3 | Geodetic head | m | |

Pump

| | | | | | |
|----------------------------|------|-----|-----------------|-----|------|
| Operating flow | m³/h | | Frequency | Hz | 50 |
| Operating head | m | | Number of poles | | 4 |
| Impeller diameter designed | mm | 169 | Speed | rpm | 1450 |

Test standard: ISO 9906:2012 - Grade3B

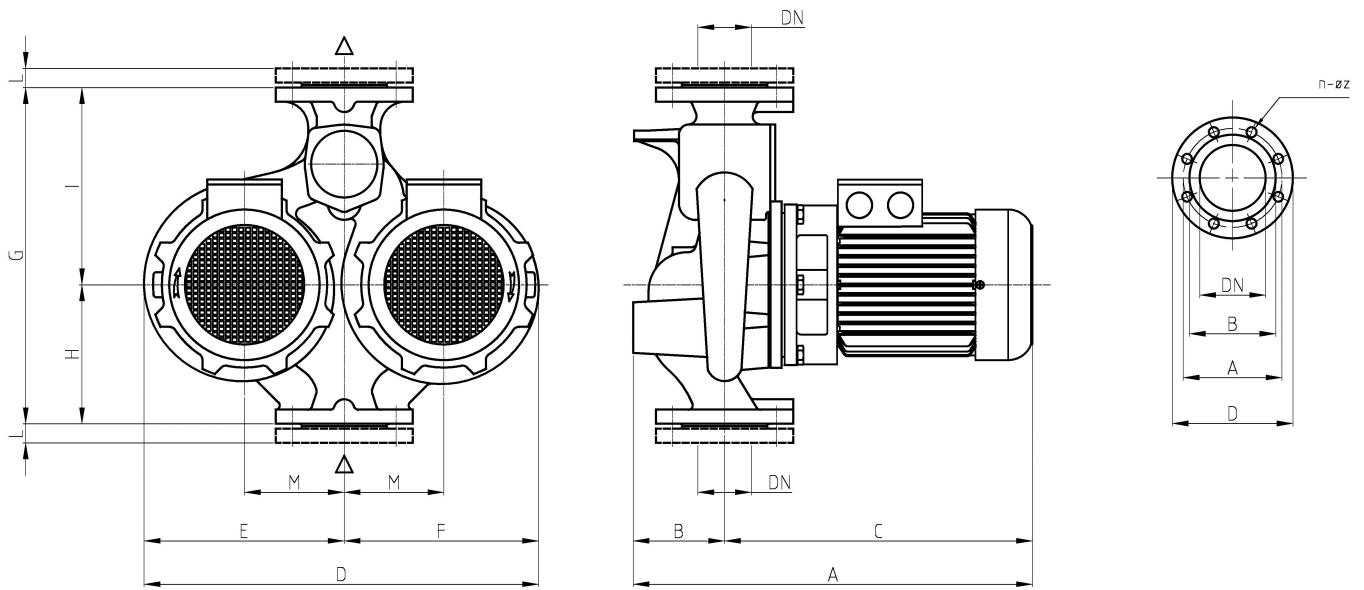
Water; 20°C; 998.3kg/m³; 1mm²/s



Dimensions

Pump name **LPCD4 50-160/0.55 QQPFF**

| | | |
|----------|--|-----------|
| Customer | Date 2024-06-16 | Company |
| Contact | Item no. | Issued by |
| Phone | Project | Phone |
| E-mail | Project ID Proiect redenumit 2024-06-16 15:45:44 | E-mail |



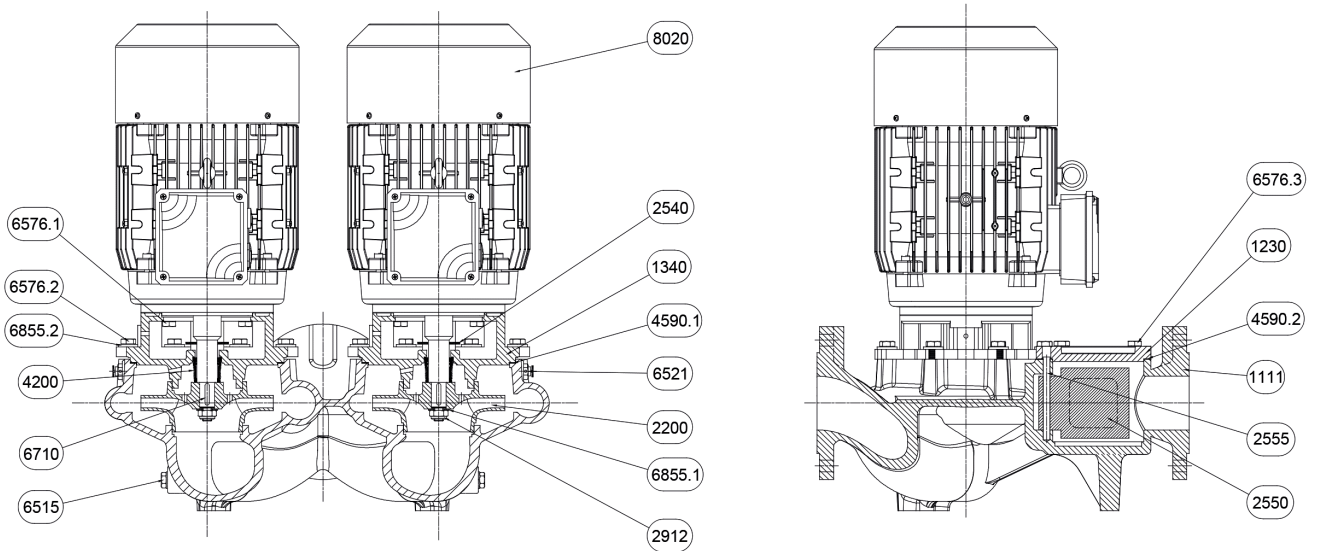
| Dimensions in | | mm | | | | | | |
|---------------|--------|-----|------------|-----------|--|--|--|--|
| 1 | A | 440 | L | 22 | | | | |
| 2 | B | 110 | M | 120 | | | | |
| 3 | C | 330 | Weight P&M | [53].2 kg | | | | |
| 4 | D | 480 | | | | | | |
| 5 | Dia A | 125 | | | | | | |
| 6 | Dia B | 102 | | | | | | |
| 7 | Dia D | 165 | | | | | | |
| 8 | Dia DN | 50 | | | | | | |
| 9 | Dia n | 4 | | | | | | |
| 10 | Dia Z | 18 | | | | | | |
| 11 | E | 245 | | | | | | |
| 12 | F | 235 | | | | | | |
| 13 | G | 410 | | | | | | |
| 14 | H | 170 | | | | | | |
| 15 | I | 240 | | | | | | |

(1/2)

Construction

Pump name LPCD4 50-160/0.55 QQPFF

| | | |
|----------|--|-----------|
| Customer | Date 2024-06-16 | Company |
| Contact | Item no. | Issued by |
| Phone | Project | Phone |
| E-mail | Project ID Proiect redenumit 2024-06-16 15:45:44 | E-mail |



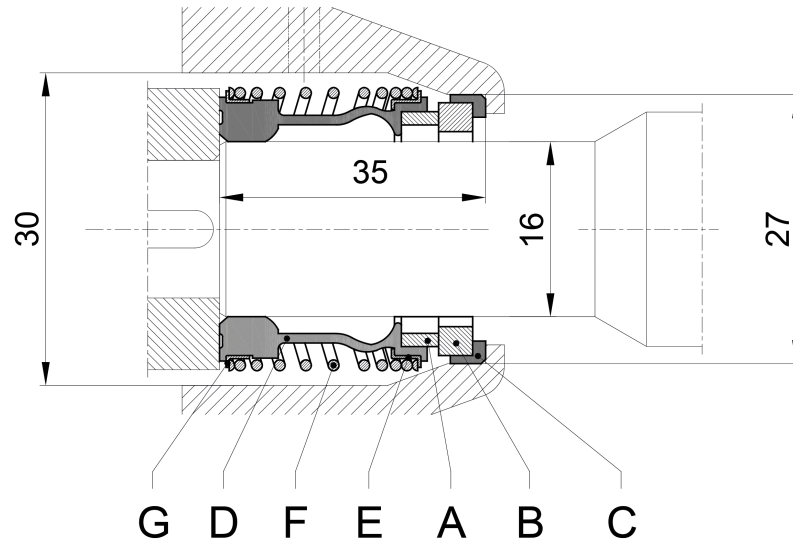
| N° | PART NAME | MATERIAL | Q.TY |
|--------|----------------------|----------------------|------|
| 1111 | Pump casing | EN-GJL-200 | 1 |
| 1230 | Inspection cover | EN-GJL-200 | 1 |
| 1340 | Latern-Cover | EN-GJL-200 | 2 |
| 2200 | Impeller | EN-GJL-200 | 2 |
| 2540 | Baffle | NB 70 | 2 |
| 2550 | Shutter | EPDM 70 | 1 |
| 2555 | Shutter pivot | AISI 420 | 1 |
| 2912 | Impeller nut | 6.8-ZN | 2 |
| 4200 | Mechanical seal | Sic/Sic/NBR/AISI 304 | 2 |
| 4590.1 | Gasket | AF 1600 | 2 |
| 4590.2 | Gasket | AF 1600 | 1 |
| 6515 | Drain plug | EN-GJMB-350-10 | 2 |
| 6521 | Vent valve | CW509L | 2 |
| 6376.1 | Hexagonal head screw | 8.8-ZN | 8 |
| 6376.2 | Hexagonal head screw | 8.8-ZN | 16 |
| 6372.3 | Hexagonal head screw | 8.8-ZN | 4 |
| 6710 | Key | C50 | 2 |
| 6855.1 | Impeller washer | R40-ZN | 2 |
| 6855.2 | Washer | R40-ZN | 16 |
| 8020 | Motor | | 2 |

(2/2)

Construction

Pump name LPCD4 50-160/0.55 QQPFF

| | | |
|----------|--|-----------|
| Customer | Date 2024-06-16 | Company |
| Contact | Item no. | Issued by |
| Phone | Project | Phone |
| E-mail | Project ID Proiect redenumit 2024-06-16 15:45:44 | E-mail |



| Ref. | Name | Material |
|------|----------------------|-----------------|
| A | Rotary seal ring | Carbon |
| B | Stationary seal ring | Silicon Carbide |
| C | Gasket | EPDM |
| D | Bellows | EPDM |
| E | Spring plate | AISI 304 |
| F | Spring | AISI 304 |
| G | Spring plate | AISI 304 |