

Technical Data

Pump Name

LPCD 50-160/4.06 QQPFF

Customer	Date	2024-07-02	Company
Contact	Item no.		Issued by
Phone	Project		Phone
E-mail	Project ID	Proiect redenumit 2024-07-02 22:34:28	E-mail

Requested data

1	Pump type	CENTRIFUGAL PUMPS	Fluid	Water
2	Number of pumps / Reserve	1 / 0	Liquid temperature	°C 20
3	Flow m³/h		Kin. viscosity	mm²/s 1.005
4	Head m		Vapour pressure	bar 0.0234
5	Geodetic head m		PH value	
6	Inlet pressure (pin) bar	0	Density	kg/m³ 998.3
7	Available system NPSH		Solids	Weight % 0
8	Ambient temperature °C	20		

Pump

9	Pump Name	LPCD 50-160/4.06 QQPFF	Frequency	Hz 60
10	Design	CENTRIFUGAL PUMPS	Installation type	STANDARD
11	Manufacturer	EBARA	Impeller Diameter	Max. mm 143
12	Speed rpm	3500		Designed mm 143
13	No. of Stage	1		Min. mm 143
14	Connection Suction side		Flow	Operating m³/h
15	Connection Discharge side			Max- m³/h 40
16	Max Working Pressure bar	10		Min- m³/h 9.96
17	Shut-off head bar	3.62	Head	Operating m
18	Total weight kg	See the table of "Dimensions".		- (Qmax.) m 22.0
19	Shaft power kW			- (Qmin.) m 36.3
20			Max. Shaft Power at max. impeller	kW 3.92
21	Required pump NPSH m		Efficiency	%

Materials

22	Impeller	EN-GJL-200	
23	Intermediate casing	EN-GJL-200	
24	Bottom casing	EN-GJL-200	
25	Shaft	Stainless steel	
26	Gasket	AF1600	
27			

Motor

28	Manufacturer	LAFERT	Insulation class	F
29	Type	TEFC_LPCD 50-160/4.06_265_Three Phase	Phases	3~
30	Specific design	IE2 / 60 Hz / Pole pairs 1	Frame size	100
31	Rated power kW	4	Weight kg	26.5
32	Number of poles	2	Electric voltage V	265
33	Speed rpm	3520	Electric current A	12.5
34	Degree of protection	IP 55		
35				

Remarks

Performance Curve

Pump Name

LPCD 50-160/4.06 QQPFF

Customer	Date	2024-07-02	Company
Contact	Item no.		Issued by
Phone	Project		Phone
E-mail	Project ID	Proiect redenumit 2024-07-02 22:34:28	E-mail

Requested data

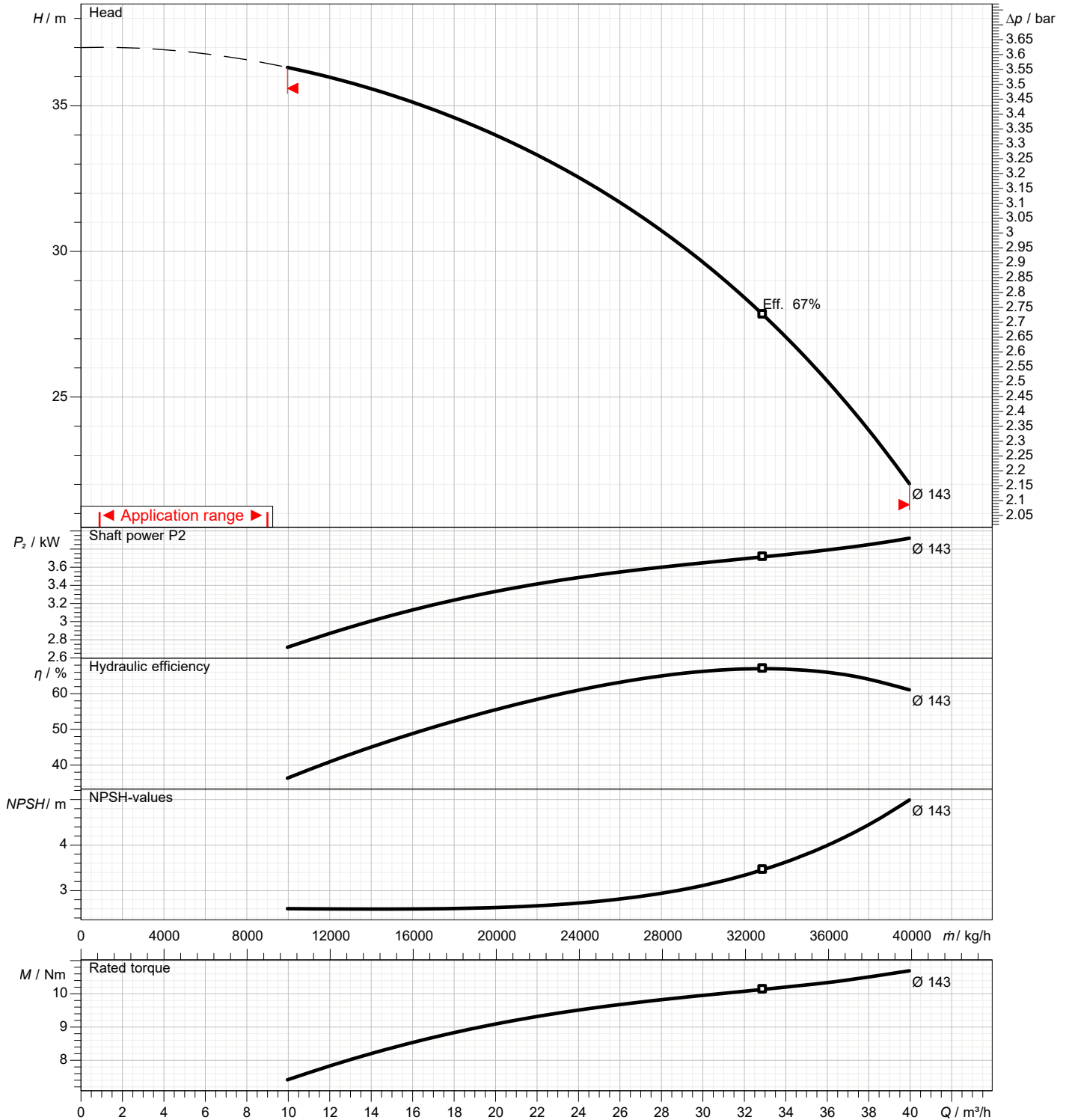
1	Flow	m³/h	
2	Head	m	
3	Geodetic head	m	

Pump

Operating flow	m³/h		Frequency	Hz	60
Operating head	m		Number of poles		2
Impeller diameter designed	mm	143	Speed	rpm	3500

Test standard: ISO 9906:2012 - Grade3B

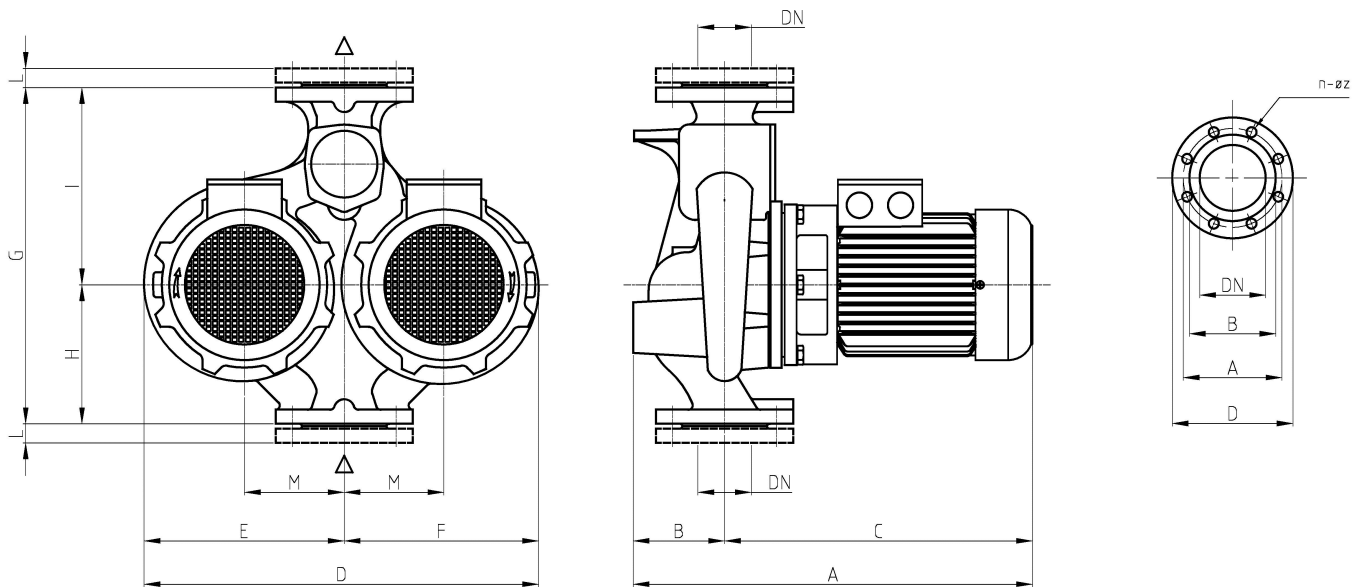
Water; 20°C; 998.3kg/m³; 1mm²/s



Dimensions

Pump name **LPCD 50-160/4.06 QQPFF**

Customer	Date 2024-07-02	Company
Contact	Item no.	Issued by
Phone	Project	Phone
E-mail	Project ID Proiect redenumit 2024-07-02 22:34:28	E-mail



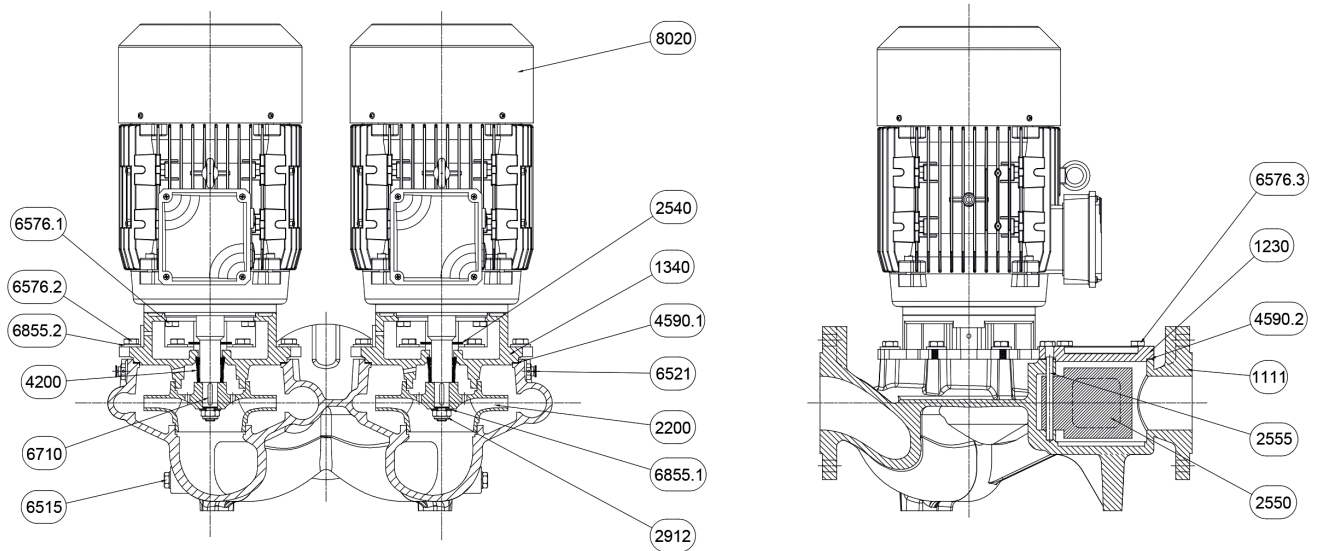
Dimensions in		mm						
1	A	530	L	22				
2	B	110	M	120				
3	C	420	Weight P&M	[86].4 kg				
4	D	480						
5	Dia A	125						
6	Dia B	102						
7	Dia D	165						
8	Dia DN	50						
9	Dia n	4						
10	Dia Z	18						
11	E	245						
12	F	235						
13	G	410						
14	H	170						
15	I	240						

(1/2)

Construction

Pump name LPCD 50-160/4.06 QQPFF

Customer	Date 2024-07-02	Company
Contact	Item no.	Issued by
Phone	Project	Phone
E-mail	Project ID Proiect redenumit 2024-07-02 22:34:28	E-mail



N°	PART NAME	MATERIAL	Q.TY
1111	Pump casing	EN-GJL-200	1
1230	Inspection cover	EN-GJL-200	1
1340	Latern-Cover	EN-GJL-200	2
2200	Impeller	EN-GJL-200	2
2540	Baffle	NB 70	2
2550	Shutter	EPDM 70	1
2555	Shutter pivot	AISI 420	1
2912	Impeller nut	6.8-ZN	2
4200	Mechanical seal	Sic/Sic/NBR/AISI 304	2
4590.1	Gasket	AF 1600	2
4590.2	Gasket	AF 1600	1
6515	Drain plug	EN-GJMB-350-10	2
6521	Vent valve	CW509L	2
6376.1	Hexagonal head screw	8.8-ZN	8
6376.2	Hexagonal head screw	8.8-ZN	16
6372.3	Hexagonal head screw	8.8-ZN	4
6710	Key	C50	2
6855.1	Impeller washer	R40-ZN	2
6855.2	Washer	R40-ZN	16
8020	Motor		2

(2/2)

Construction

Pump name LPCD 50-160/4.06 QQPFF

Customer	Date 2024-07-02	Company
Contact	Item no.	Issued by
Phone	Project	Phone
E-mail	Project ID Proiect redenumit 2024-07-02 22:34:28	E-mail



Ref.	Name	Material
A	Rotary seal ring	Carbon
B	Stationary seal ring	Silicon Carbide
C	Gasket	EPDM
D	Bellows	EPDM
E	Spring plate	AISI 304
F	Spring	AISI 304
G	Spring plate	AISI 304