

# Technical Data

Pump Name

LPC 100-200/30 QQPFF

|          |            |                                       |           |
|----------|------------|---------------------------------------|-----------|
| Customer | Date       | 2024-06-16                            | Company   |
| Contact  | Item no.   |                                       | Issued by |
| Phone    | Project    |                                       | Phone     |
| E-mail   | Project ID | Proiect redenumit 2024-06-16 15:45:44 | E-mail    |

## Requested data

|   |                           |                   |                    |             |
|---|---------------------------|-------------------|--------------------|-------------|
| 1 | Pump type                 | CENTRIFUGAL PUMPS | Fluid              | Water       |
| 2 | Number of pumps / Reserve | 1 / 0             | Liquid temperature | °C 20       |
| 3 | Flow m³/h                 |                   | Kin. viscosity     | mm²/s 1.005 |
| 4 | Head m                    |                   | Vapour pressure    | bar 0.0234  |
| 5 | Geodetic head m           |                   | PH value           |             |
| 6 | Inlet pressure (pin) bar  | 0                 | Density            | kg/m³ 998.3 |
| 7 | Available system NPSH     |                   | Solids             | Weight % 0  |
| 8 | Ambient temperature °C    | 20                |                    |             |

## Pump

|    |                           |                                |                                   |                  |
|----|---------------------------|--------------------------------|-----------------------------------|------------------|
| 9  | Pump Name                 | LPC 100-200/30 QQPFF           | Frequency                         | Hz 50            |
| 10 | Design                    | CENTRIFUGAL PUMPS              | Installation type                 | STANDARD         |
| 11 | Manufacturer              | EBARA                          | Impeller Diameter                 | Max. mm 205      |
| 12 | Speed rpm                 | 2900                           |                                   | Designed mm 205  |
| 13 | No. of Stage              | 1                              |                                   | Min. mm 205      |
| 14 | Connection Suction side   |                                | Flow                              | Operating m³/h   |
| 15 | Connection Discharge side |                                |                                   | Max- m³/h 210    |
| 16 | Max Working Pressure bar  | 10                             |                                   | Min- m³/h 50     |
| 17 | Shut-off head bar         | 5.44                           | Head                              | Operating m      |
| 18 | Total weight kg           | See the table of "Dimensions". |                                   | - (Qmax.) m 37.0 |
| 19 | Shaft power kW            |                                |                                   | - (Qmin.) m 55.1 |
| 20 |                           |                                | Max. Shaft Power at max. impeller | kW 28.63         |
| 21 | Required pump NPSH m      |                                | Efficiency                        | %                |

## Materials

|    |                     |                 |  |
|----|---------------------|-----------------|--|
| 22 | Impeller            | EN-GJL-200      |  |
| 23 | Intermediate casing | EN-GJL-200      |  |
| 24 | Bottom casing       | EN-GJL-200      |  |
| 25 | Shaft               | Stainless steel |  |
| 26 | Gasket              | AF1600          |  |
| 27 |                     |                 |  |

## Motor

|    |                      |                                     |                  |        |
|----|----------------------|-------------------------------------|------------------|--------|
| 28 | Manufacturer         | ABLE                                | Insulation class | F      |
| 29 | Type                 | TEFC_LPC 100-200/30_400_Three Phase | Phases           | 3~     |
| 30 | Specific design      | IE3 / 50 Hz / Pole pairs 1          | Frame size       | 200    |
| 31 | Rated power kW       | 30                                  | Weight           | kg     |
| 32 | Number of poles      | 2                                   | Electric voltage | V 400  |
| 33 | Speed rpm            | 2950                                | Electric current | A 55.7 |
| 34 | Degree of protection | IP 55                               |                  |        |
| 35 |                      |                                     |                  |        |

## Remarks

# Performance Curve

Pump Name

LPC 100-200/30 QQPFF

|          |            |                                       |           |
|----------|------------|---------------------------------------|-----------|
| Customer | Date       | 2024-06-16                            | Company   |
| Contact  | Item no.   |                                       | Issued by |
| Phone    | Project    |                                       | Phone     |
| E-mail   | Project ID | Proiect redenumit 2024-06-16 15:45:44 | E-mail    |

## Requested data

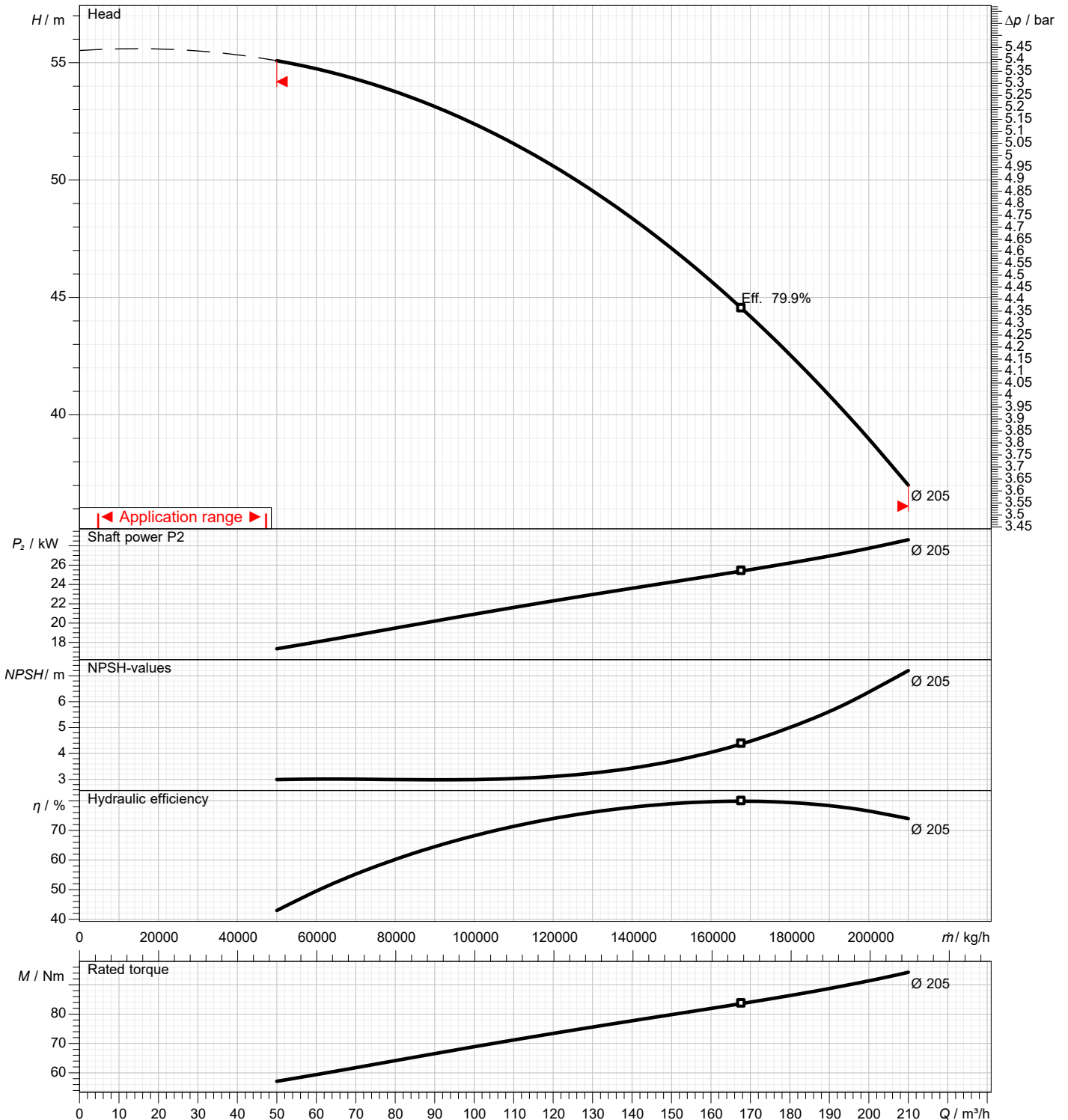
|   |               |      |  |
|---|---------------|------|--|
| 1 | Flow          | m³/h |  |
| 2 | Head          | m    |  |
| 3 | Geodetic head | m    |  |

## Pump

|                            |      |     |                 |     |      |
|----------------------------|------|-----|-----------------|-----|------|
| Operating flow             | m³/h |     | Frequency       | Hz  | 50   |
| Operating head             | m    |     | Number of poles |     | 2    |
| Impeller diameter designed | mm   | 205 | Speed           | rpm | 2900 |

Test standard: ISO 9906:2012 - Grade3B

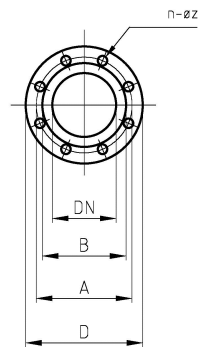
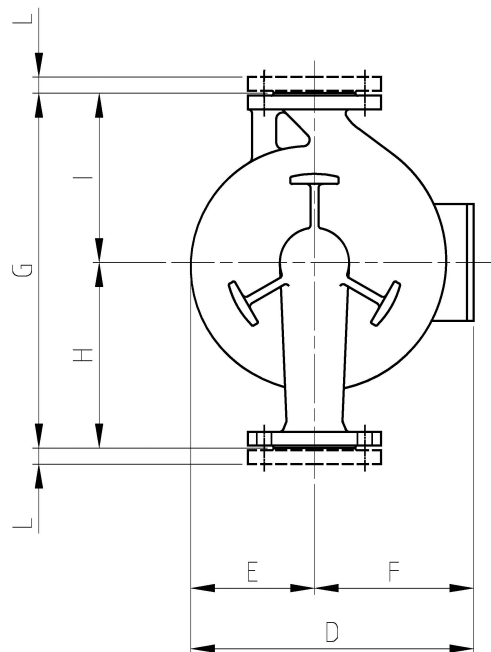
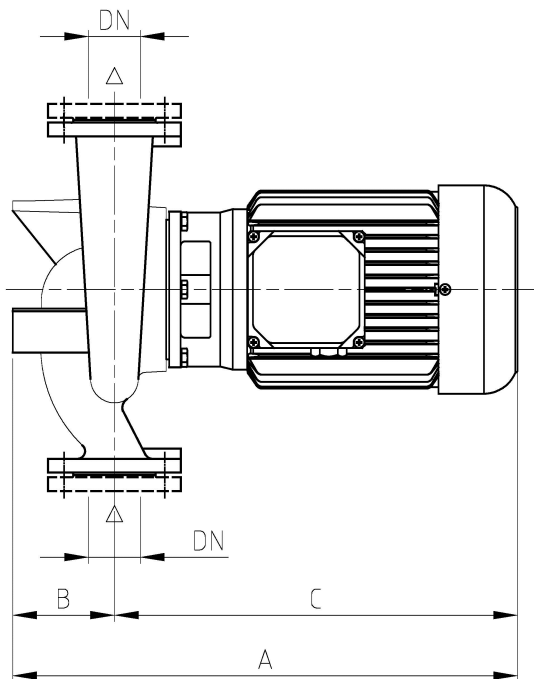
Water; 20°C; 998.3kg/m³; 1mm²/s



# Dimensions

Pump name **LPC 100-200/30 QPFF**

|          |  |           |
|----------|--|-----------|
| Customer | Date 2024-06-16                                  | Company   |
| Contact  | Item no.   | Issued by |
| Phone    | Project  | Phone     |
| E-mail   | Project ID Proiect redenumit 2024-06-16 15:45:44 | E-mail    |

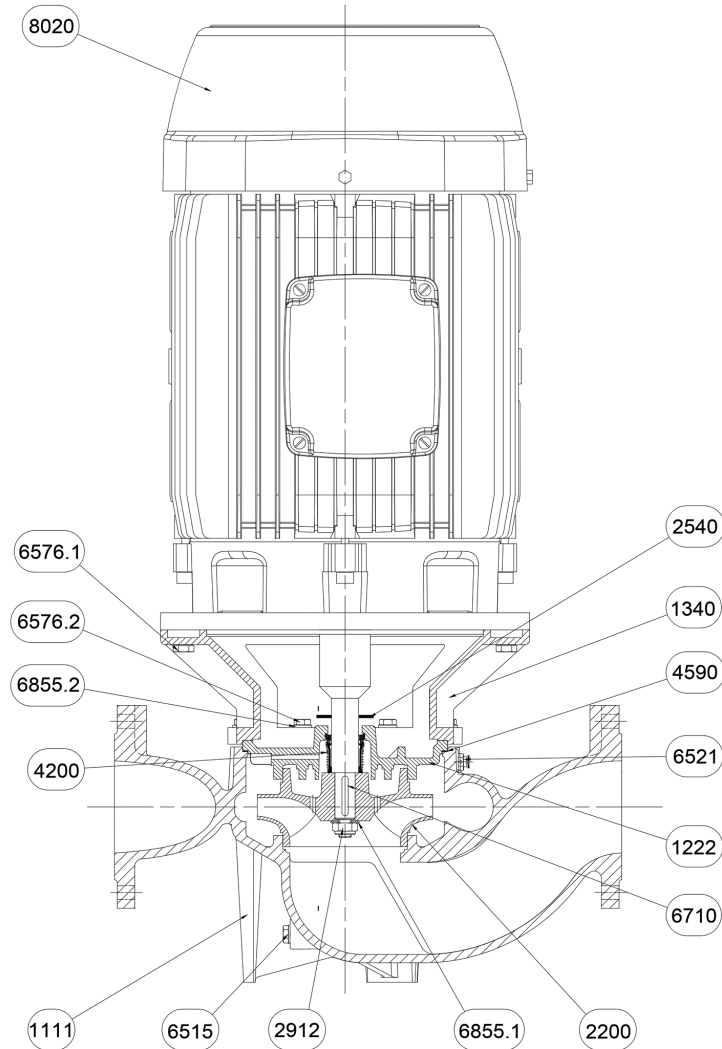


| Dimensions in |        | mm   |            |        |  |  |  |  |
|---------------|--------|------|------------|--------|--|--|--|--|
| 1             | A      | 1047 | L          | 26     |  |  |  |  |
| 2             | B      | 190  | Weight P&M | 287 kg |  |  |  |  |
| 3             | C      | 857  |            |        |  |  |  |  |
| 4             | D      | 461  |            |        |  |  |  |  |
| 5             | Dia A  | 180  |            |        |  |  |  |  |
| 6             | Dia B  | 158  |            |        |  |  |  |  |
| 7             | Dia D  | 220  |            |        |  |  |  |  |
| 8             | Dia DN | 100  |            |        |  |  |  |  |
| 9             | Dia n  | 8    |            |        |  |  |  |  |
| 10            | Dia Z  | 18   |            |        |  |  |  |  |
| 11            | E      | 156  |            |        |  |  |  |  |
| 12            | F      | 305  |            |        |  |  |  |  |
| 13            | G      | 550  |            |        |  |  |  |  |
| 14            | H      | 300  |            |        |  |  |  |  |
| 15            | I      | 250  |            |        |  |  |  |  |

# (1/2) Construction

Pump name LPC 100-200/30 QQPFF

|          |  |           |
|----------|--|-----------|
| Customer | Date 2024-06-16                                  | Company   |
| Contact  | Item no.   | Issued by |
| Phone    | Project  | Phone     |
| E-mail   | Project ID Proiect redenumit 2024-06-16 15:45:44 | E-mail    |



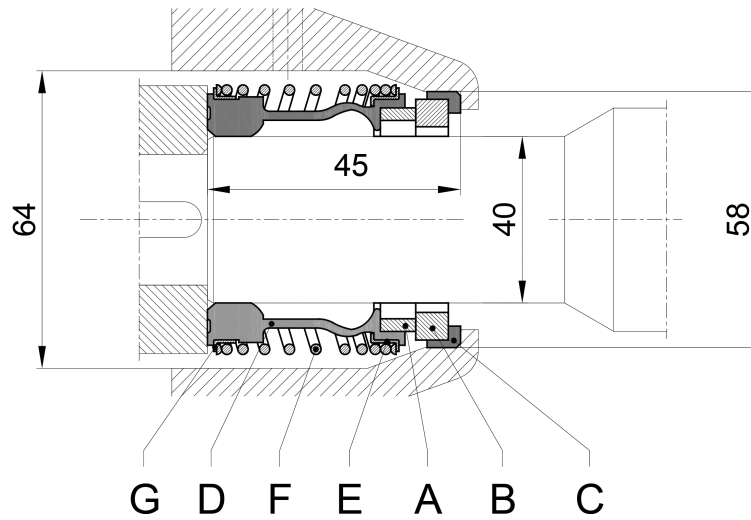
| N°     | PART NAME            | MATERIAL             | Q.TY |
|--------|----------------------|----------------------|------|
| 1111   | Pump casing          | EN-GJL-200           | 1    |
| 1222   | Gland cover          | EN-GJL-200           | 1    |
| 1340   | Latern               | EN-GJL-200           | 1    |
| 2200   | Impeller             | EN-GJL-200           | 1    |
| 2540   | Baffle               | NB 70                | 1    |
| 2912   | Impeller nut         | 6.8-ZN               | 1    |
| 4200   | Mechanica sela       | Sic/Sic/NBR/AISI 304 | 1    |
| 4590   | Gasket               | AF 1600              | 1    |
| 6515   | Drain plug           | EN-GJMB-350-10       | 1    |
| 6521   | Vent valve           | CW509L               | 1    |
| 6576.1 | Hexagonal head screw | 8.8-ZN               | 4    |
| 6576.2 | Hexagonal head screw | 8.8-ZN               | 8    |
| 6710   | Key                  | C50                  | 1    |
| 6855.1 | Impeller washer      | R40-ZN               | 1    |
| 6855.2 | Washer               | R40-ZN               | 8    |
| 8020   | Motor                |                      | 1    |

(2/2)

# Construction

Pump name LPC 100-200/30 QQPFF

|          |  |           |
|----------|--|-----------|
| Customer | Date 2024-06-16                                  | Company   |
| Contact  | Item no.   | Issued by |
| Phone    | Project  | Phone     |
| E-mail   | Project ID Proiect redenumit 2024-06-16 15:45:44 | E-mail    |



| Ref. | Name                 | Material        |
|------|----------------------|-----------------|
| A    | Rotary seal ring     | Carbon          |
| B    | Stationary seal ring | Silicon Carbide |
| C    | Gasket               | EPDM            |
| D    | Bellows              | EPDM            |
| E    | Spring plate         | AISI 304        |
| F    | Spring               | AISI 304        |
| G    | Spring plate         | AISI 304        |