

Technical Data

Pump Name

MR B 40-120 F

Customer	Date	2024-06-16	Company
Contact	Item no.		Issued by
Phone	Project		Phone
E-mail	Project ID	Proiect redenumit 2024-06-16 15:45:44	E-mail

Requested data

1	Pump type	DOMESTIC WATER CIRCULATORS	Fluid	Water
2	Number of pumps / Reserve	1 / 0	Liquid temperature	°C 20
3	Flow	m³/h	Kin. viscosity	mm²/s 1.005
4	Head	m	Vapour pressure	bar 0.0234
5	Geodetic head	m	PH value	
6	Inlet pressure (pin)	bar	Density	kg/m³ 998.3
7	Available system NPSH		Solids	Weight % 0
8	Ambient temperature	°C 20		

Pump

9	Pump Name	MR B 40-120 F	Frequency	Hz	50
10	Design	DOMESTIC WATER CIRCULATORS	Installation type		STANDARD
11	Manufacturer	EBARA	Impeller Diameter	Max.	mm 0
12	Speed	rpm 2820		Designed	mm
13	No. of Stage	1		Min.	mm 0
14	Connection	Suction side	Flow	Operating	m³/h
15	Connection	Discharge side		Max-	m³/h 21
16	Max Working Pressure	bar 10		Min-	m³/h 6
17	Shut-off head	bar 1.18	Head	Operating	m
18	Total weight	kg See the table of "Dimensions".		- (Qmax.)	m
19	Shaft power	kW		- (Qmin.)	m 9.9
20			Max. Shaft Power at max. impeller	kW	0.54
21	Required pump NPSH	m	Efficiency	%	

Materials

22	Impeller	Noryl 1630V		
23	Casing	Bronze		
24	Shaft	AISI 431		
25				
26				
27				

Motor

28	Manufacturer	EPE Standard	Insulation class	H
29	Type	MR B 40-120 F_400_Three Phase	Phases	3~
30	Specific design	- / 50 Hz / Pole pairs 1	Frame size	
31	Rated power	kW	Weight	kg
32	Number of poles	2	Electric voltage	V 400
33	Speed	rpm 2820	Electric current	A 1.46
34	Degree of protection	IP 43		
35				

Remarks

Performance curve

Pump name MR B 40-120 F

Customer	Date	2024-06-16	Company
Contact	Item no.		Issued by
Phone	Project		Phone
E-mail	Project ID	Proiect redenumit 2024-06-16 15:45:44	E-mail

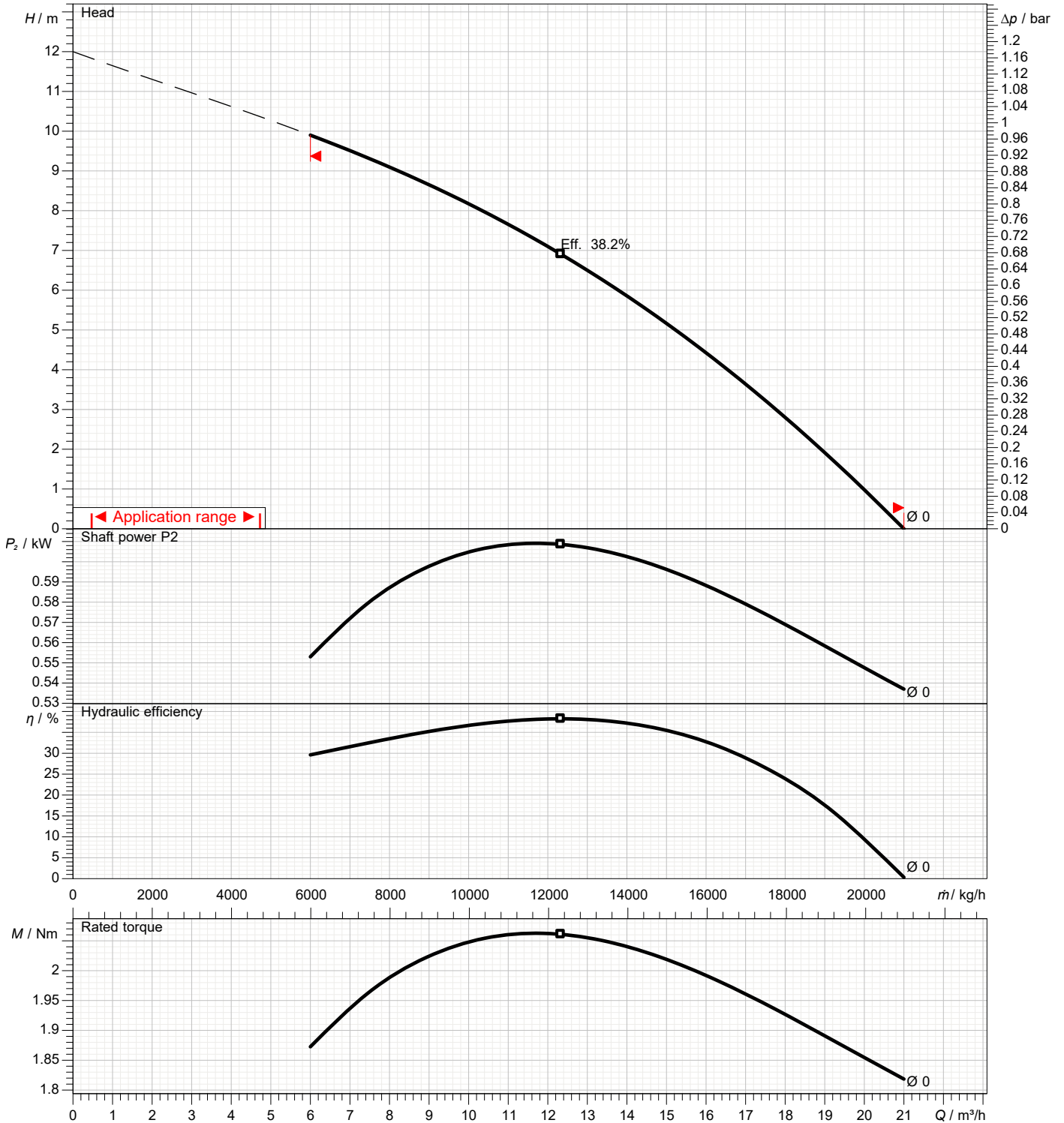
Requested data

1	Flow	m ³ /h	
2	Head	m	
3	Geodetic head	m	

Pump

Operating flow	m ³ /h		Impeller Diameter Designed	mm	
Operating head	m		Frequency	Hz	50
			Speed	rpm	2820

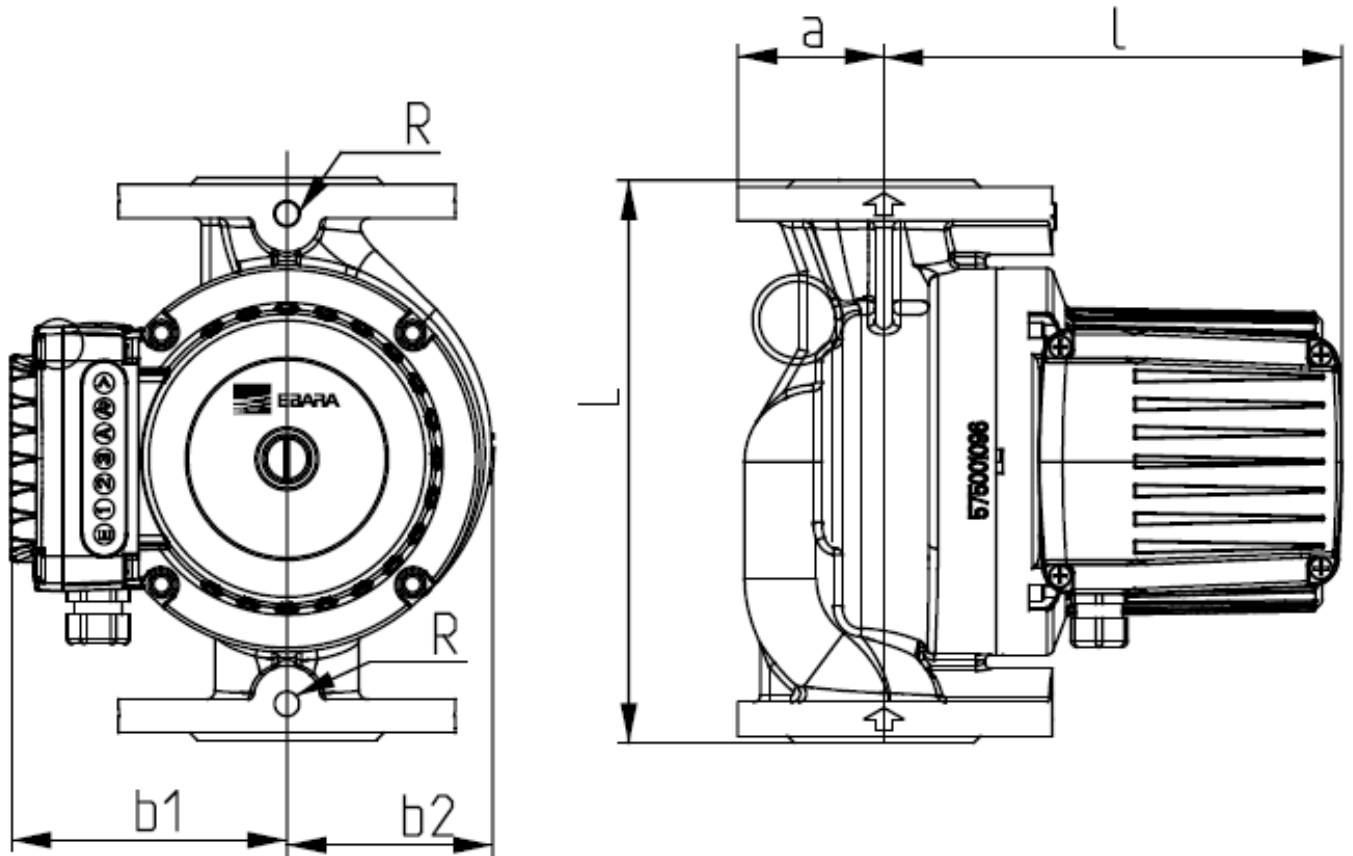
Water; 20°C; 998.3kg/m³; 1mm²/s



Dimensions

Pump name MR B 40-120 F

Customer	Date 2024-06-16	Company
Contact	Item no.	Issued by
Phone	Project	Phone
E-mail	Project ID Proiect redenumit 2024-06-16 15:45:44	E-mail



Pump dimensions		mm					
a	65						
b1	153						
b2	92						
l	198						
L	250						
R	1/4"						
Weight P&M	22 kg						

In case of dimension value * : Please contact EBARA Sales Company.