

Technical data

Pump name

O6BHE64-7/18.5 6

| | | | |
|----------|------------|---------------------------------------|-----------|
| Customer | Date | 2024-06-20 | Company |
| Contact | Item no. | | Issued by |
| Phone | Project | | Phone |
| E-mail | Project ID | Proiect redenumit 2024-06-20 16:39:09 | E-mail |

Requested data

| | | | | | | |
|---|---------------------------|------|---------------------------|--------------------|----------|--------|
| 1 | Pump type | | SUBMERSIBLE DEEPWELL PUMP | Fluid | | Water |
| 2 | Number of pumps / Reserve | | 1 / 0 | Liquid temperature | °C | 20 |
| 3 | Flow | m³/h | | Kin. viscosity | mm²/s | 1.005 |
| 4 | Head | m | | Vapour pressure | bar | 0.0234 |
| 5 | Geodetic head | m | | PH value | | |
| 6 | Inlet pressure (pin) | bar | 0 | Density | kg/m³ | 998.3 |
| 7 | Available system NPSH | | | Solids | Weight % | 0 |
| 8 | Ambient temperature | °C | 20 | | | |

Pump

| | | | | | | | |
|----|----------------------|----------------|--------------------------------|-----------------------------------|-----------|----------|-------------------|
| 9 | Pump name | | O6BHE64-7/18.5 6 | Frequency | Hz | 60 | |
| 10 | Design | | SUBMERSIBLE DEEPWELL PUMP | Installation type | | STANDARD | |
| 11 | Manufacturer | | EBARA | Impeller Diameter | Max. | mm | 0 |
| 12 | Speed | rpm | 3460 | | Designed | mm | |
| 13 | No. of Stage | | 7 | | Min. | mm | 0 |
| 14 | Connection | Suction side | | Flow | Operating | m³/h | |
| 15 | Connection | Discharge side | | | Max- | m³/h | 100 |
| 16 | Max Working Pressure | bar | 70 | | Min- | m³/h | 45 |
| 17 | Shut-off head | bar | 13.24 | Head | Operating | m | |
| 18 | Total weight | kg | See the table of "Dimensions". | | - (Qmax.) | m | 42.3 |
| 19 | Shaft power | kW | (Power / Stage) | | - (Qmin.) | m | 104.5 |
| 20 | | | | Max. Shaft Power at max. impeller | kW | 2.89 | (Power / Stage) |
| 21 | Required pump NPSH | m | | Efficiency | % | | |

Materials

| | | | | | | |
|----|------------------|--|----------------------|--|--|--|
| 22 | Impeller | | EN 1.4301 (AISI 304) | | | |
| 23 | Discharge casing | | EN 1.4301 (AISI 304) | | | |
| 24 | Shaft | | EN 1.4057 (AISI 431) | | | |
| 25 | Diffuser | | EN 1.4301 (AISI 304) | | | |
| 26 | | | | | | |
| 27 | | | | | | |

Motor

| | | | | | | |
|----|----------------------|-----|--|------------------|----|------|
| 28 | Manufacturer | | SUMOTO | Insulation class | | F |
| 29 | Type | | BHE_6 inch_60_18.5_380_Three Phase | Phases | | 3~ |
| 30 | Specific design | | Submersible oil filled type / 60 Hz / Pole pairs 1 | Frame size | | |
| 31 | Rated power | kW | 18.5 | Weight | kg | 65 |
| 32 | Number of poles | | 2 | Electric voltage | V | 380 |
| 33 | Speed | rpm | 3600 | Electric current | A | 39.8 |
| 34 | Degree of protection | | IP 58 | | | |
| 35 | | | | | | |

Remarks

Performance curve

Pump name

O6BHE64-7/18.5 6

| | | | |
|----------|------------|---------------------------------------|-----------|
| Customer | Date | 2024-06-20 | Company |
| Contact | Item no. | | Issued by |
| Phone | Project | | Phone |
| E-mail | Project ID | Project redenumit 2024-06-20 16:39:09 | E-mail |

Requested data

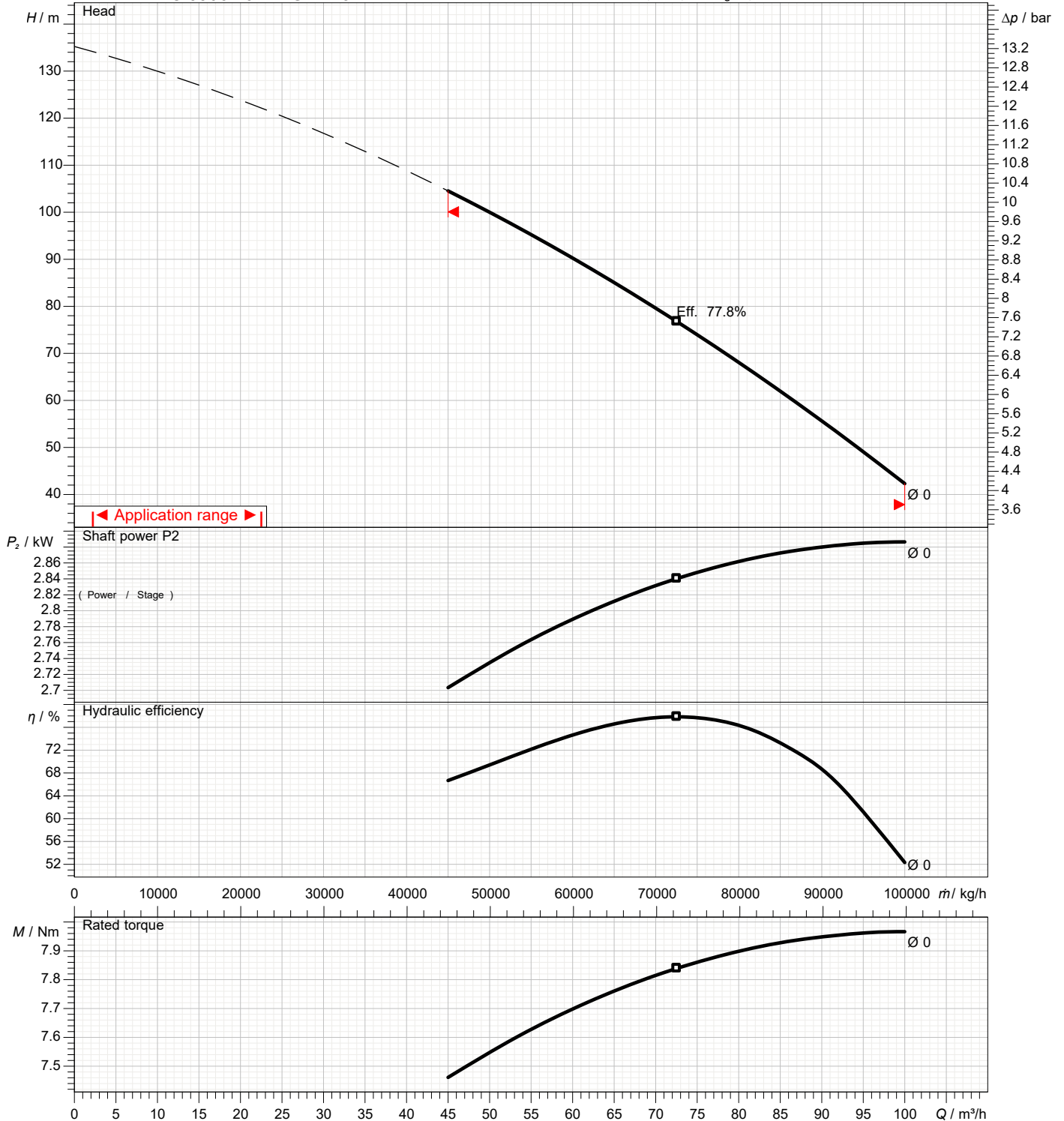
| | | | |
|---|---------------|------|--|
| 1 | Flow | m³/h | |
| 2 | Head | m | |
| 3 | Geodetic head | m | |

Pump

| | | | | | |
|-------------------|----------|----|-----------------|-----|------|
| Operating flow | m³/h | | Frequency | Hz | 60 |
| Operating head | m | | Number of poles | | 2 |
| Impeller Diameter | Designed | mm | Speed | rpm | 3460 |

Test standard: ISO 9906:2012 - Grade3B

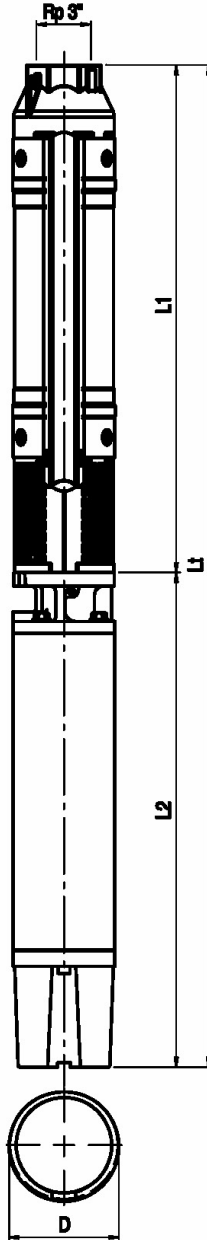
Water; 20°C; 998.3kg/m³; 1mm²/s



Dimensions

Pump name O6BHE64-7/18.5 6

| | | |
|----------|--|-----------|
| Customer | Date 2024-06-20 | Company |
| Contact | Item no. | Issued by |
| Phone | Project | Phone |
| E-mail | Project ID Proiect redenumit 2024-06-20 16:39:09 | E-mail |



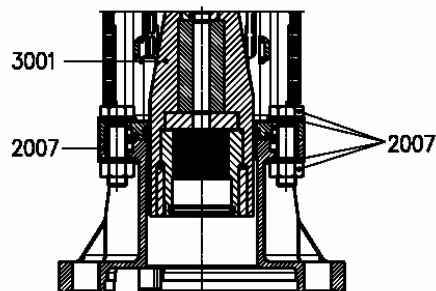
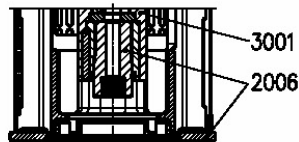
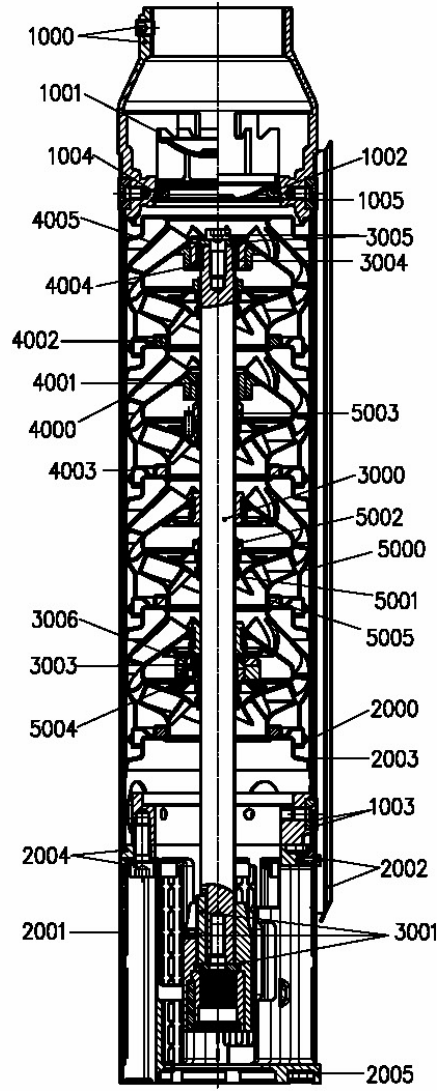
| Dimensions in | | mm | | | | | | |
|---------------|-------------|-------|--|--|--|--|--|--|
| 1 | D - 1 CABLE | 143 | | | | | | |
| 2 | D - 2 CABLE | 144.5 | | | | | | |
| 3 | L1 | 1161 | | | | | | |
| 4 | L2 | 830 | | | | | | |
| 5 | Lt | 1991 | | | | | | |
| 6 | Weight kg | 155 | | | | | | |
| 7 | | | | | | | | |
| 8 | | | | | | | | |
| 9 | | | | | | | | |
| 10 | | | | | | | | |
| 11 | | | | | | | | |
| 12 | | | | | | | | |
| 13 | | | | | | | | |
| 14 | | | | | | | | |
| 15 | | | | | | | | |

(1/2)

Construction

Pump name O6BHE64-7/18.5 6

| | | |
|----------|--|-----------|
| Customer | Date 2024-06-20 | Company |
| Contact | Item no. | Issued by |
| Phone | Project | Phone |
| E-mail | Project ID Proiect redenumit 2024-06-20 16:39:09 | E-mail |



(2/2)

Construction

Pump name O6BHE64-7/18.5 6

| | | | |
|----------|------------|---------------------------------------|-----------|
| Customer | Date | 2024-06-20 | Company |
| Contact | Item no. | | Issued by |
| Phone | Project | | Phone |
| E-mail | Project ID | Project redenumit 2024-06-20 16:39:09 | E-mail |

| N° | PART NAME | MATERIAL | Q.TY |
|------|-------------------------------------|---|------|
| 1000 | Discharge head and screw | Stainless steel (AISI 304) | - |
| 1001 | Valve | Stainless steel (AISI 316) | - |
| 1002 | O-ring | Nitrile rubber (NBR) | -- |
| 1003 | Screw s and outer case locking nuts | Stainless steel (AISI 316) | - |
| 1004 | Valve support | Stainless steel (AISI 316) | - |
| 1005 | Seeger ring | Stainless steel (AISI 316) | - |
| 2000 | Outer case | Stainless steel (AISI 304) | - |
| 2001 | Suction strainer | Stainless steel (AISI 316) | - |
| 2002 | Cable guard and screw s | Stainless steel (AISI 316) | - |
| 2003 | Initial spacer | Stainless steel (AISI 304) | - |
| 2004 | Flange and bolts | Stainless steel (AISI 304) | - |
| 2005 | Motor adapter | Stainless steel (AISI 304) | - |
| 2006 | 4" motor flange/coupling adapter | | - |
| 2007 | 8"Motor adapter/bolts and washer | Stainless steel (AISI 431) | - |
| 3000 | Pump shaft | Stainless steel (AISI 431/329) | - |
| 3001 | Coupling | Stainless steel (AISI 316) | - |
| 3003 | Lower up-thrust washer | Stainless steel (AISI 316) | - |
| 3004 | Upper journal sleeve | Stainless steel (AISI 329) with ceramic coating | - |
| 3005 | Screw and washer | Stainless steel (AISI 316) | - |
| 3006 | Up-thrust ring | Teflon (PTFE) | - |
| 4000 | Diffusers | Stainless steel (AISI 304) | - |
| 4001 | Secondary bearing bush | Nitrile rubber (NBR) | - |
| 4002 | Floating neck ring | Teflon (PTFE) | - |
| 4003 | Flange clamping neck ring | Stainless steel (AISI 304) | - |
| 4004 | Bearing bush | Nitrile rubber (NBR) | - |
| 4005 | Last/intermediate diffuser | Stainless steel (AISI 316) | - |
| 5000 | Impeller | Stainless steel (AISI 304) | - |
| 5001 | Split cone | Stainless steel (AISI 316) | - |
| 5002 | Split cone nut | Stainless steel (AISI 316) | - |
| 5003 | Intermediate split cone nut | Stainless steel (AISI 316) | - |
| 5004 | Up-thrust split cone nut | Stainless steel (AISI 304) | - |
| 5005 | Wear ring | Stainless steel (AISI 304) | - |