

Technical Data

Pump Name

OYM 4N7-4/0.55

Customer	Date	2024-06-16	Company
Contact	Item no.		Issued by
Phone	Project		Phone
E-mail	Project ID	Proiect redenumit 2024-06-16 15:45:44	E-mail

Requested data

1	Pump type		SUBMERSIBLE MULTISTAGE PUMPS	Fluid		Water
2	Number of pumps / Reserve		1 / 0	Liquid temperature	°C	20
3	Flow	m³/h		Kin. viscosity	mm²/s	1.005
4	Head	m		Vapour pressure	bar	0.0234
5	Geodetic head	m		PH value		
6	Inlet pressure (pin)	bar	0	Density	kg/m³	998.3
7	Available system NPSH			Solids	Weight %	0
8	Ambient temperature	°C	20			

Pump

9	Pump Name		OYM 4N7-4/0.55	Frequency	Hz	50
10	Design		SUBMERSIBLE MULTISTAGE PUMPS	Installation type		with EBARA MOTOR OIL - three phase
11	Manufacturer		EBARA	Impeller Diameter	Max. mm	74
12	Speed	rpm	2850		Designed mm	74
13	No. of Stage		4		Min. mm	74
14	Connection	Suction side		Flow	Operating m³/h	
15	Connection	Discharge side	UNI ISO 228		Max- m³/h	9.6
16	Max Working Pressure	bar			Min- m³/h	3
17	Shut-off head	bar	2.45	Head	Operating m	
18	Total weight	kg	See the table of "Dimensions".		- (Qmax.) m	8.0
19	Shaft power	kW			- (Qmin.) m	22.1
20				Max. Shaft Power at max. impeller	kW	0.40
21	Required pump NPSH	m		Efficiency	%	

Materials

22	Impeller		1xe6			
23	Intermediate casing		EN 1.4301 (AISI 304)			
24	Shaft		EN 1.4301 (AISI 304)			
25						
26						
27						

Motor

28	Manufacturer		EBARA MOTOR	Insulation class		F
29	Type		4N7-4/0.55_230_Single Phase	Phases		1~
30	Specific design		Submersible oil filled type / 50 Hz / Pole pairs 1	Frame size		4"
31	Rated power	kW	0.55	Weight	kg	7.6
32	Number of poles		2	Electric voltage	V	230
33	Speed	rpm	2855	Electric current	A	4.5
34	Degree of protection		IP 58			
35						

Remarks

Performance Curve

Pump Name

OYM 4N7-4/0.55

Customer	Date	2024-06-16	Company
Contact	Item no.		Issued by
Phone	Project		Phone
E-mail	Project ID	Proiect redenumit 2024-06-16 15:45:44	E-mail

Requested data

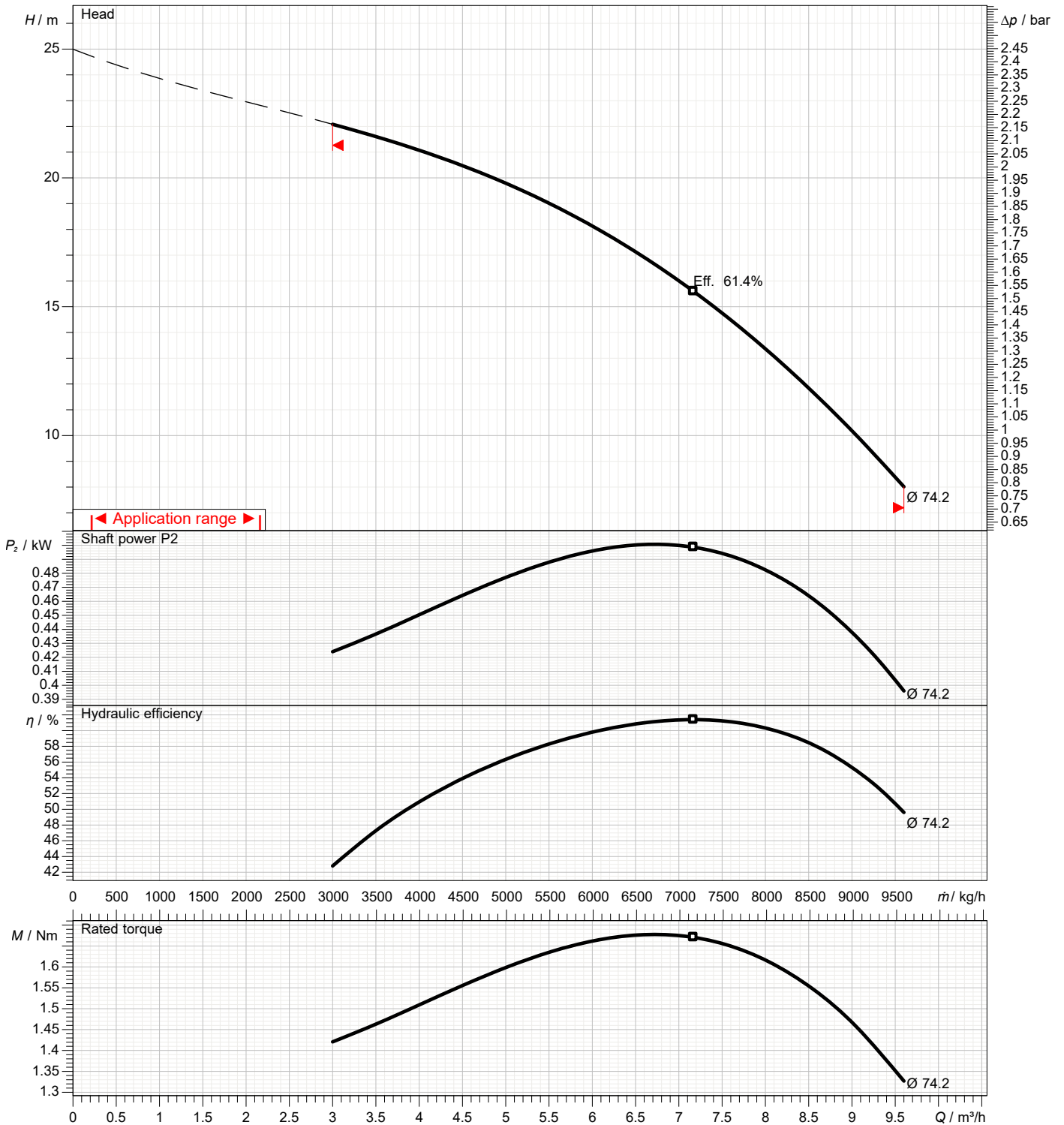
1	Flow	m³/h	
2	Head	m	
3	Geodetic head	m	

Pump

Operating flow	m³/h		Frequency	Hz	50
Operating head	m		Number of poles		2
Impeller diameter designed	mm	74	Speed	rpm	2850

Test standard: ISO 9906:2012 - Grade3B

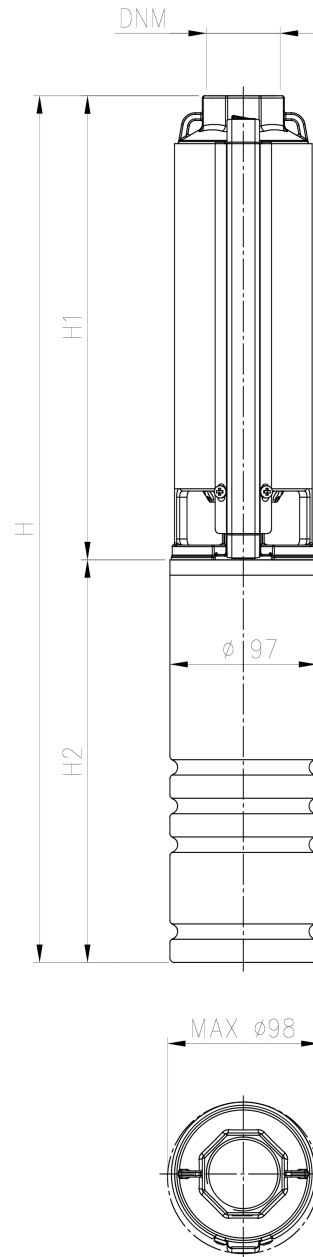
Water; 20°C; 998.3kg/m³; 1mm²/s



Dimensions

Pump name OYM 4N7-4/0.55

Customer	Date 2024-06-16	Company
Contact	Item no.	Issued by
Phone	Project	Phone
E-mail	Project ID Proiect redenumit 2024-06-16 15:45:44	E-mail



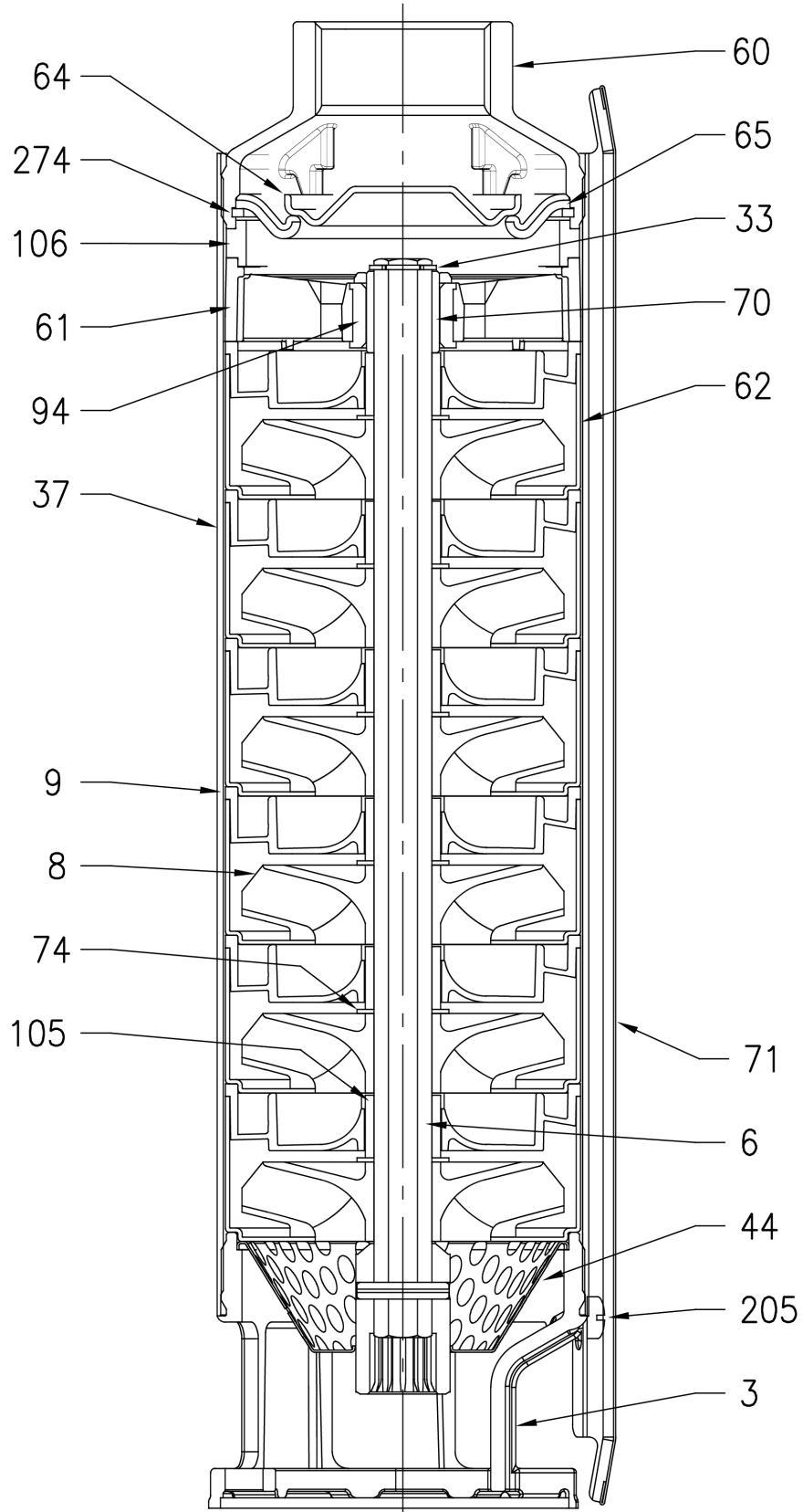
Dimensions in		mm						
1	DNM	G 2						
2	H	610						
3	H1	285						
4	H2	325						
5	Weight P&M	9 kg						
6								
7								
8								
9								
10								
11								
12								
13								
14								
15								

(1/3)

Construction

Pump name OYM 4N7-4/0.55

Customer	Date 2024-06-16	Company
Contact	Item no.	Issued by
Phone	Project	Phone
E-mail	Project ID Proiect redenumit 2024-06-16 15:45:44	E-mail



(2/3)

Construction

Pump name OYM 4N7-4/0.55

Customer	Date	2024-06-16	Company
Contact	Item no.		Issued by
Phone	Project		Phone
E-mail	Project ID	Proiect redenumit 2024-06-16 15:45:44	E-mail

N°	PART NAME	MATERIAL	Q.TY
3	Bracket	EN 1.4308 (ASTM CF8)	1
6	Pump shaft with coupling	EN 1.4301 (AISI 304)	1
8	Impeller	Ixef®	[*]
9	Diffuser	PPE+PS Glass fibre reinforced	[*]
33	Elastic Ring	EN 1.4301 (AISI 304)	1
37	Outer casing	EN 1.4301 (AISI 304)	[*]
44	Strainer	EN 1.4301 (AISI 304)	1
60	Discharge casing	EN 1.4308 (ASTM CF8)	1
61	Upper / Intermediate bracket	PPE+PS Glass fibre reinforced	[*]
62	Stage housing	EN 1.4301 (AISI 304)	[*]
64	Valve	EN 1.4301 (AISI 304)	1
65	Valve seat	EN 1.4301 (AISI 304) + EPDM Rubber	1
70	Shaft sleeve bearing	Alumina (Ceramic)	[*]
71	Cable guard	EN 1.4301 (AISI 304)	1
74	Thrust washer	EN 1.4301 (AISI 304)	[*]
94	Bearing	EPDM Rubber	[*]
105	Spacer	PPE+PS Glass fibre reinforced	[*]
106	Spacer	NORYL+GF20%	1
205	Screw (M4 x 6 UNI 7687)	EN 1.4301 (AISI 304)	2
274	Elastic Ring	EN 1.4310 (AISI 302)	1

[*] See **CONSTRUCTION 3**

(3/3)

Construction

Pump name OYM 4N7-4/0.55

Customer	Date	2024-06-16	Company
Contact	Item no.		Issued by
Phone	Project		Phone
E-mail	Project ID	Proiect redenumit 2024-06-16 15:45:44	E-mail

Pump type	N° 3A Join ring	N° 8 Impeller	N° 9 Diffuser	N° 37 Outer casing	N° 61 Upper / Intermediate bracket	N° 62 Stage housing	N° 70 Shaft sleeve bearing	N° 73 Thrust washer first impeller	N° 74 Thrust washer	N° 94 Bearing	N° 105 Spacer
4N7-4	-	4	4	1	1	4	1	-	4	1	4
4N7-6	-	6	6	1	1	6	1	-	6	1	6
4N7-8	-	8	8	1	1	8	1	-	8	1	8
4N7-12	-	12	12	1	1	12	1	-	12	1	12
4N7-17	-	17	17	1	1	17	1	-	17	1	17
4N7-23	-	23	23	1	1	23	1	-	23	1	23
4N7-30	1	30	30	2	2	30	2	-	30	2	33
4N7-42	1	42	42	2	2	42	2	-	42	2	45