

# Technical Data

Pump Name

PRA 106 IE3

Customer	Date	2024-07-02	Company
Contact	Item no.		Issued by
Phone	Project		Phone
E-mail	Project ID	Proiect redenumit 2024-07-02 22:34:28	E-mail

## Requested data

1	Pump type	PERIPHERAL PUMPS	Fluid	Water
2	Number of pumps / Reserve	1 / 0	Liquid temperature	°C 20
3	Flow m³/h		Kin. viscosity	mm²/s 1.005
4	Head m		Vapour pressure	bar 0.0234
5	Geodetic head m		PH value	
6	Inlet pressure (pin) bar	0	Density	kg/m³ 998.3
7	Available system NPSH		Solids	Weight % 0
8	Ambient temperature °C	20		

## Pump

9	Pump Name	PRA 106 IE3	Frequency	Hz 60
10	Design	PERIPHERAL PUMPS	Installation type	STANDARD
11	Manufacturer	EBARA	Impeller Diameter	Max. mm 68
12	Speed rpm	3350		Designed mm 68
13	No. of Stage	1		Min. mm 68
14	Connection Suction side	UNI ISO 228	Flow	Operating m³/h
15	Connection Discharge side	UNI ISO 228		Max- m³/h 3
16	Max Working Pressure bar	12		Min- m³/h 0.3
17	Shut-off head bar	7.05	Head	Operating m
18	Total weight kg	See the table of "Dimensions".		- (Qmax.) m 14.1
19	Shaft power kW			- (Qmin.) m 66.1
20			Max. Shaft Power at max. impeller	kW
21	Required pump NPSH m		Efficiency	%

## Materials

22	Impeller	Brass		
23	Casing	Cast iron		
24	Shaft	AISI 303 (wet extension)		
25				
26				
27				

## Motor

28	Manufacturer	EPE Standard	Insulation class	F
29	Type	TEFC_PRA 106 T_460_Three Phase	Phases	3~
30	Specific design	IE3 / 60 Hz / Pole pairs 1	Frame size	
31	Rated power kW	0.75	Weight	kg
32	Number of poles	2	Electric voltage	V 460
33	Speed rpm	3350	Electric current	A 1.5
34	Degree of protection	IP 44		
35				

## Remarks

# Performance Curve

Pump Name

PRA 106 IE3

Customer	Date	2024-07-02	Company
Contact	Item no.		Issued by
Phone	Project		Phone
E-mail	Project ID	Project redenumit 2024-07-02 22:34:28	E-mail

## Requested data

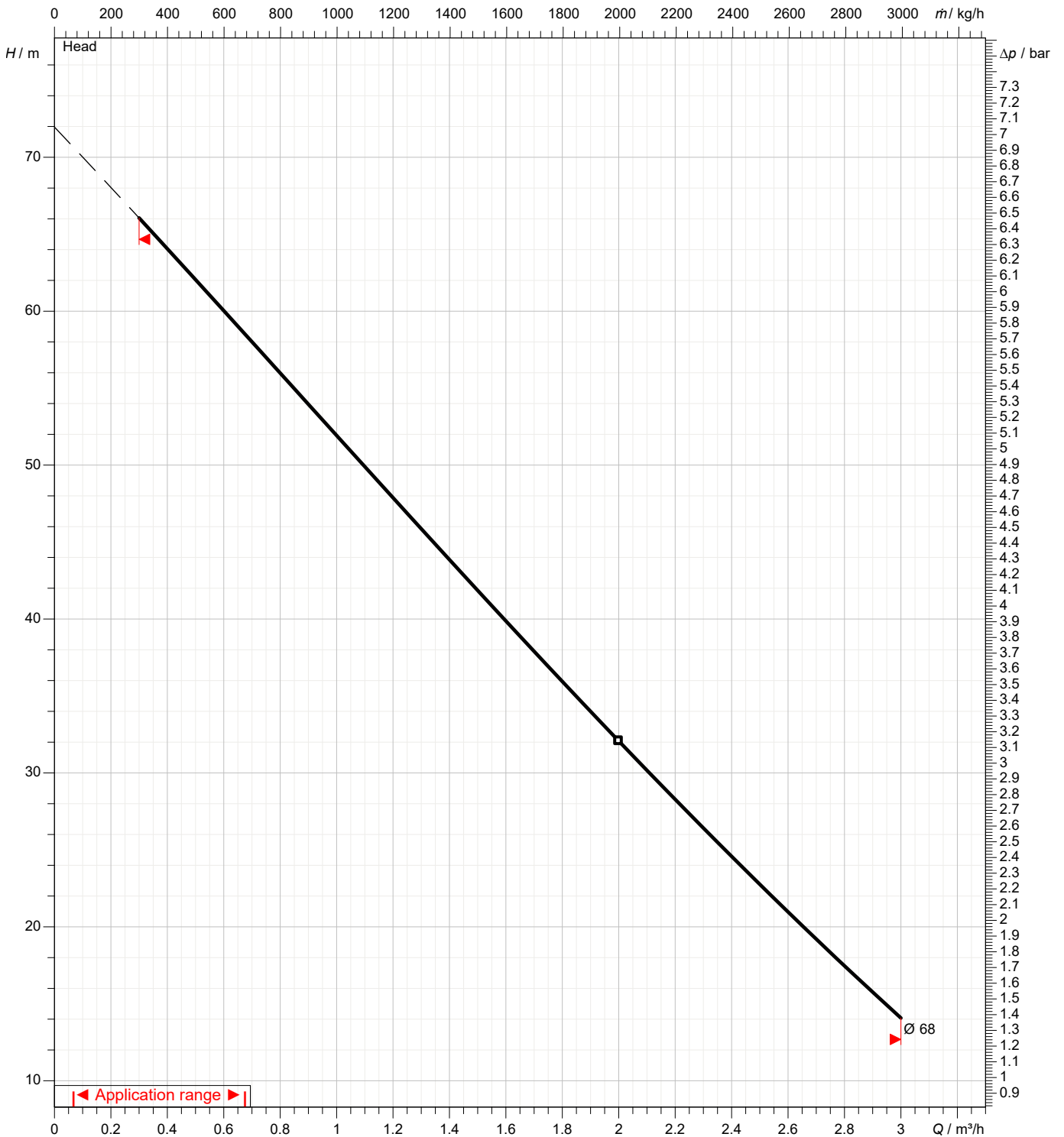
1	Flow	m³/h	
2	Head	m	
3	Geodetic head	m	

## Pump

Operating flow	m³/h		Frequency	Hz	60
Operating head	m		Number of poles		2
Impeller diameter designed	mm	68	Speed	rpm	3350

Test standard: ISO 9906:2012 - Grade3B

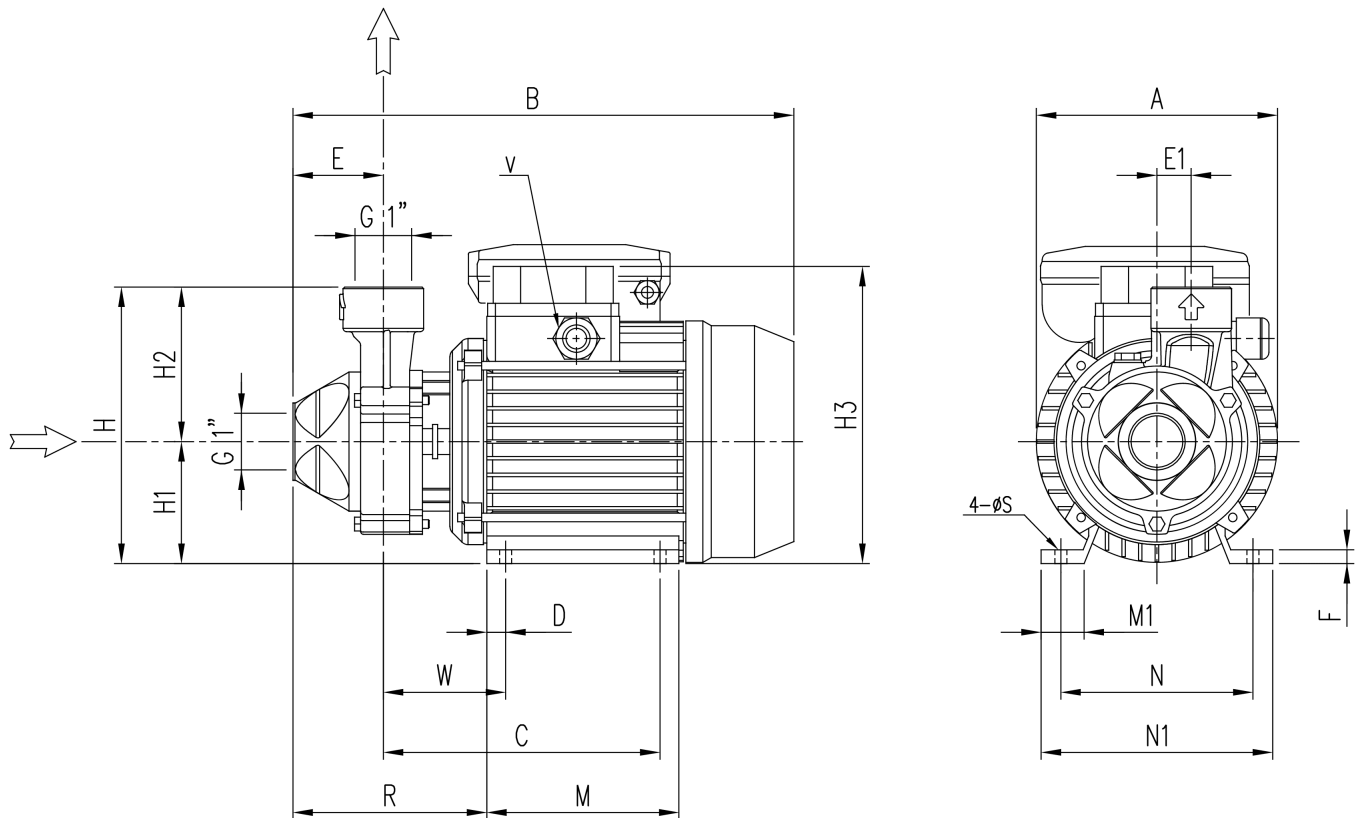
Water; 20°C; 998.3kg/m³; 1mm²/s



# Dimensions

Pump Name PRA 106 IE3

Customer	Date 2024-07-02	Company
Contact	Item no.	Issued by
Phone	Project	Phone
E-mail	Project ID Proiect redenumit 2024-07-02 22:34:28	E-mail



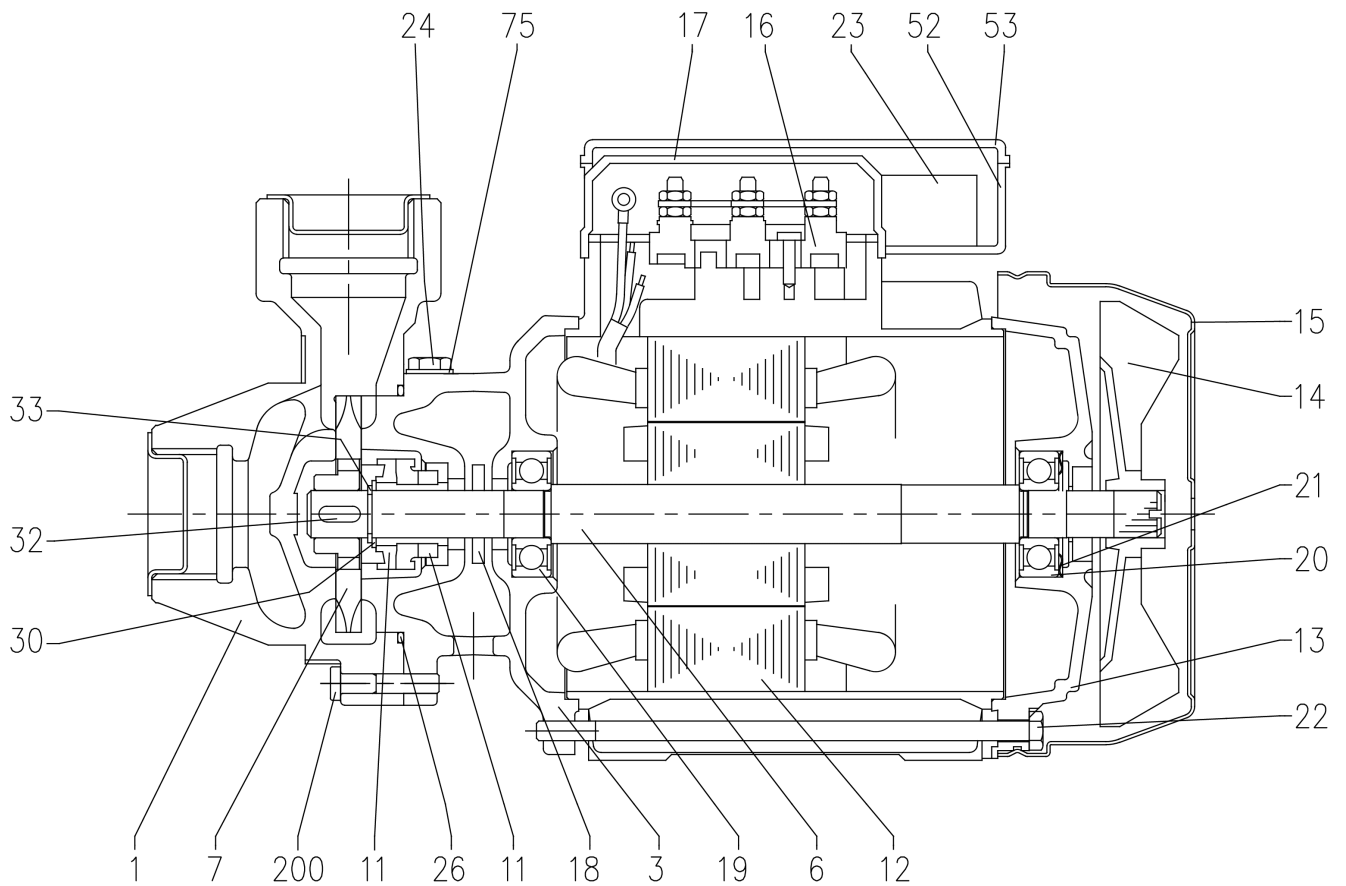
Dimensions in		mm						
1	A	141	R	113				
2	B	292	S	7				
3	C	161.3	V	M16x1.5				
4	D	11	W	71.3				
5	E	52.7	Weight P&M	9,7 kg				
6	E1	20						
7	F	8						
8	H	161						
9	H1	71						
10	H2	90						
11	H3	172						
12	M	112						
13	M1	25						
14	N	112						
15	N1	135						

(1/3)

# Construction

Pump Name PRA 106 IE3

Customer	Date 2024-07-02	Company
Contact	Item no.	Issued by
Phone	Project	Phone
E-mail	Project ID Proiect redenumit 2024-07-02 22:34:28	E-mail



(2/3)

# Construction

Pump Name PRA 106 IE3

Customer	Date 2024-07-02	Company
Contact	Item no.	Issued by
Phone	Project	Phone
E-mail	Project ID Proiect redenumit 2024-07-02 22:34:28	E-mail

N°	PART NAME	MATERIAL	Q.TY
1	Casing	Cast Iron	1
3	Motor bracket	Cast Iron	1
6	Shaft with rotor	[1]	1
7	Impeller	Brass	1
11	Mechanical seal [2]	Carbon/Ceramic/NBR	1
12	Motor frame with stator	-	1
13	Motor cover	Aluminium	1
14	Fan	PP	1
15	Fan cover	Fe P04 Zincate	1
16	Terminal box	-	1
17	Terminal box cover [3]	Aluminium	1
18	Splash ring	NBR	1
19	Pump side ball bearing	-	1
20	Fan side ball bearing	-	1
21	Adjusting ring	Steel C70	1
22	Tie rod	Fe 42 Zincate	4
23	Capactor [4]	-	1
24	Priming plug	Brass	1
26	O-Ring	NBR	1
30	Washer	AISI 304	1
32	Key	AISI 316	1
33	Seeger ring	AISI 304	1
52	Capactor box [4]	ABS class V-0	1
53	Capactor box cover [4]	ABS class V-0	1
75	Washer	Aluminium	1
200	Screw	Zincate Steel Cl. 8.8 ISO 898-1	3

[1] Material: Carbon steel (1.0736) for model PRA 056  
AISI 303 (wet extension) for the other models

[2] See **CONSTRUCTION 3**

[3] Only for Three phase

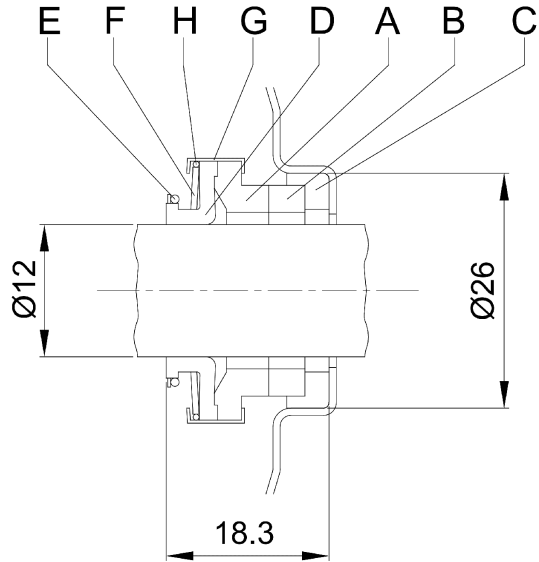
[4] Only for Single phase

(3/3)

# Construction

Pump Name PRA 106 IE3

Customer	Date 2024-07-02	Company
Contact	Item no.	Issued by
Phone	Project	Phone
E-mail	Project ID Proiect redenumit 2024-07-02 22:34:28	E-mail



REF	PART NAME	MATERIAL Standard version
A	Rotary seal ring	carbon graphite
B	Stationary seal ring	ceramic
C	Gasket	NBR
D	Bellows	NBR
E	Ring	AISI 304
F	Self driving spring	AISI 304
G	Frame	AISI 304
H	Reatainer ring	AISI 304