

# Technical Data

Pump Name

PRA 106 T

Customer	Date	2024-07-02	Company
Contact	Item no.		Issued by
Phone	Project		Phone
E-mail	Project ID	Proiect redenumit 2024-07-02 22:34:28	E-mail

## Requested data

1	Pump type	PERIPHERAL PUMPS	Fluid	Water
2	Number of pumps / Reserve	1 / 0	Liquid temperature	°C
3	Flow	m³/h	Kin. viscosity	mm²/s
4	Head	m	Vapour pressure	bar
5	Geodetic head	m	PH value	
6	Inlet pressure (pin)	bar	Density	kg/m³
7	Available system NPSH		Solids	Weight %
8	Ambient temperature	°C		

## Pump

9	Pump Name	PRA 106 T	Frequency	Hz	60	
10	Design	PERIPHERAL PUMPS	Installation type		STANDARD	
11	Manufacturer	EBARA	Impeller Diameter	Max.	mm	
12	Speed	rpm		3350	Designed	mm
13	No. of Stage	1		Min.	mm	68
14	Connection	Suction side	UNI ISO 228	Flow	Operating	
15	Connection	Discharge side	UNI ISO 228		Max-	m³/h
16	Max Working Pressure	bar	12		Min-	m³/h
17	Shut-off head	bar	7.05	Head	Operating	
18	Total weight	kg	See the table of "Dimensions".		- (Qmax.)	m
19	Shaft power	kW			- (Qmin.)	m
20				Max. Shaft Power at max. impeller	kW	
21	Required pump NPSH	m		Efficiency	%	

## Materials

22	Impeller	Brass		
23	Casing	Cast iron		
24	Shaft	AISI 303 (wet extension)		
25				
26				
27				

## Motor

28	Manufacturer	EPE Standard	Insulation class	F	
29	Type	TEFC_PRA 106 M_110_Single Phase	Phases	1~	
30	Specific design	- / 60 Hz / Pole pairs 1	Frame size		
31	Rated power	kW	0.75	Weight	kg
32	Number of poles	2	Electric voltage	V	110
33	Speed	rpm	3350	Electric current	A
34	Degree of protection	IP 44			15.3
35					

## Remarks

# Performance Curve

Pump Name

PRA 106 T

Customer	Date	2024-07-02	Company
Contact	Item no.		Issued by
Phone	Project		Phone
E-mail	Project ID	Proiect redenumit 2024-07-02 22:34:28	E-mail

## Requested data

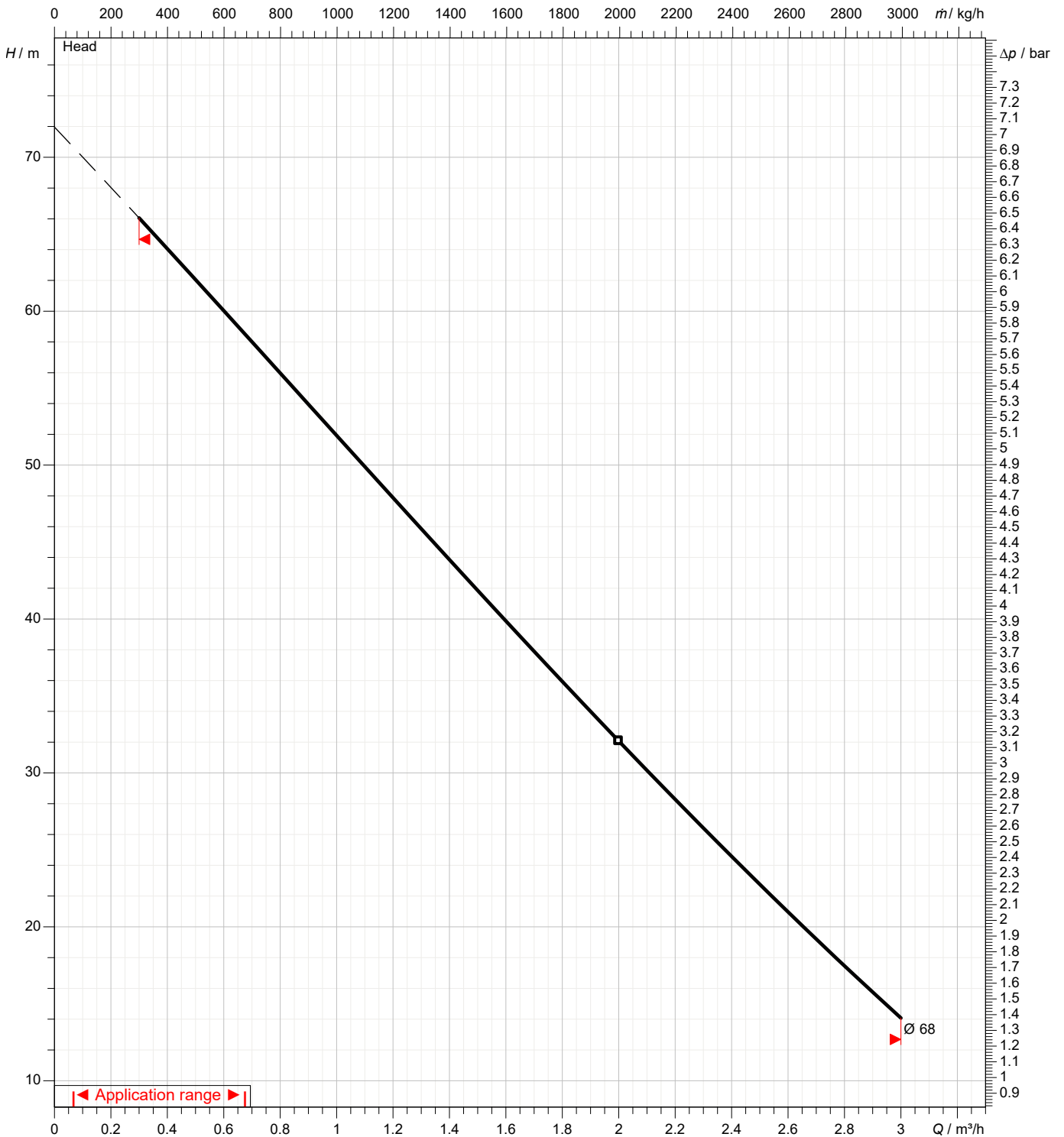
1	Flow	m³/h	
2	Head	m	
3	Geodetic head	m	

## Pump

Operating flow	m³/h		Frequency	Hz	60
Operating head	m		Number of poles		2
Impeller diameter designed	mm	68	Speed	rpm	3350

Test standard: ISO 9906:2012 - Grade3B

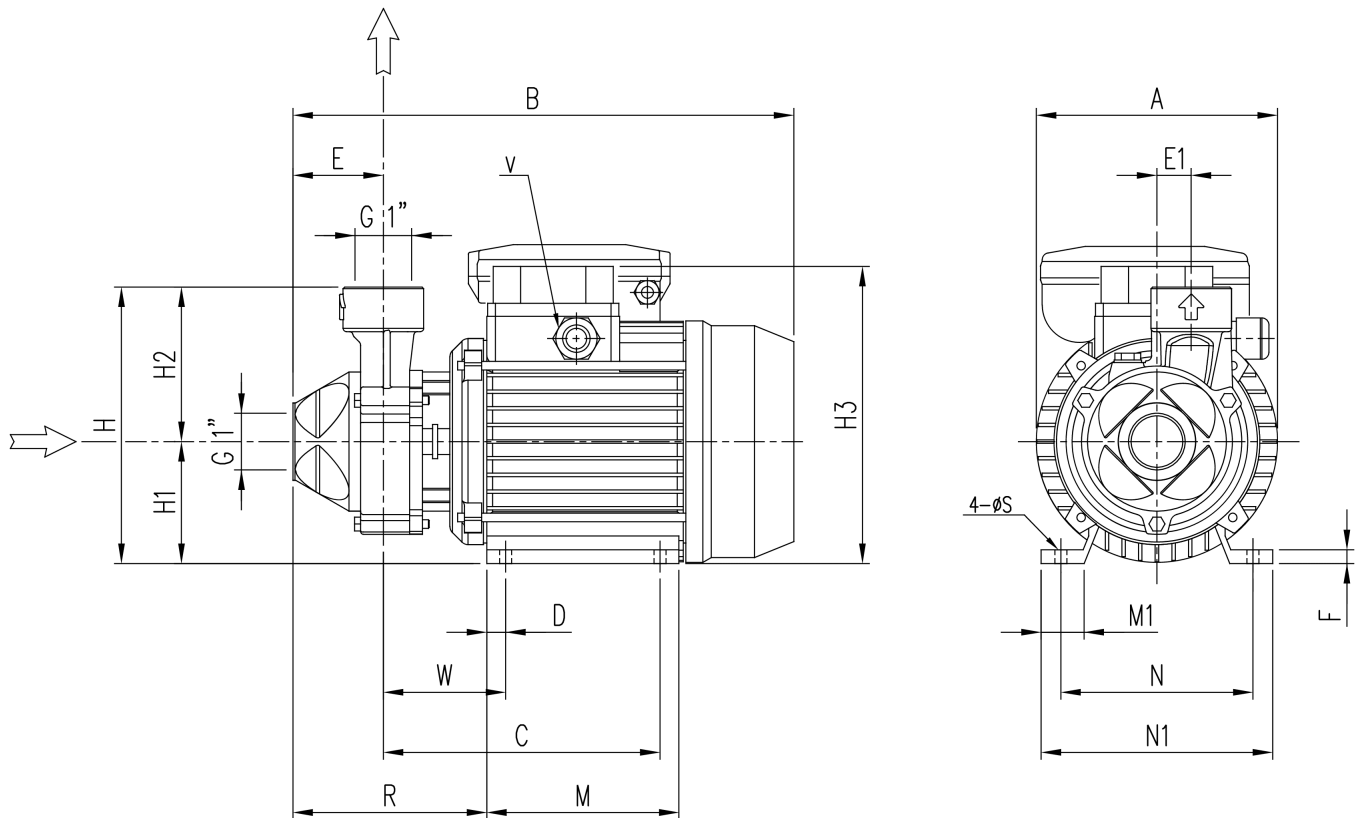
Water; 20°C; 998.3kg/m³; 1mm²/s



# Dimensions

Pump Name PRA 106 T

Customer	Date 2024-07-02	Company
Contact	Item no.	Issued by
Phone	Project	Phone
E-mail	Project ID Proiect redenumit 2024-07-02 22:34:28	E-mail



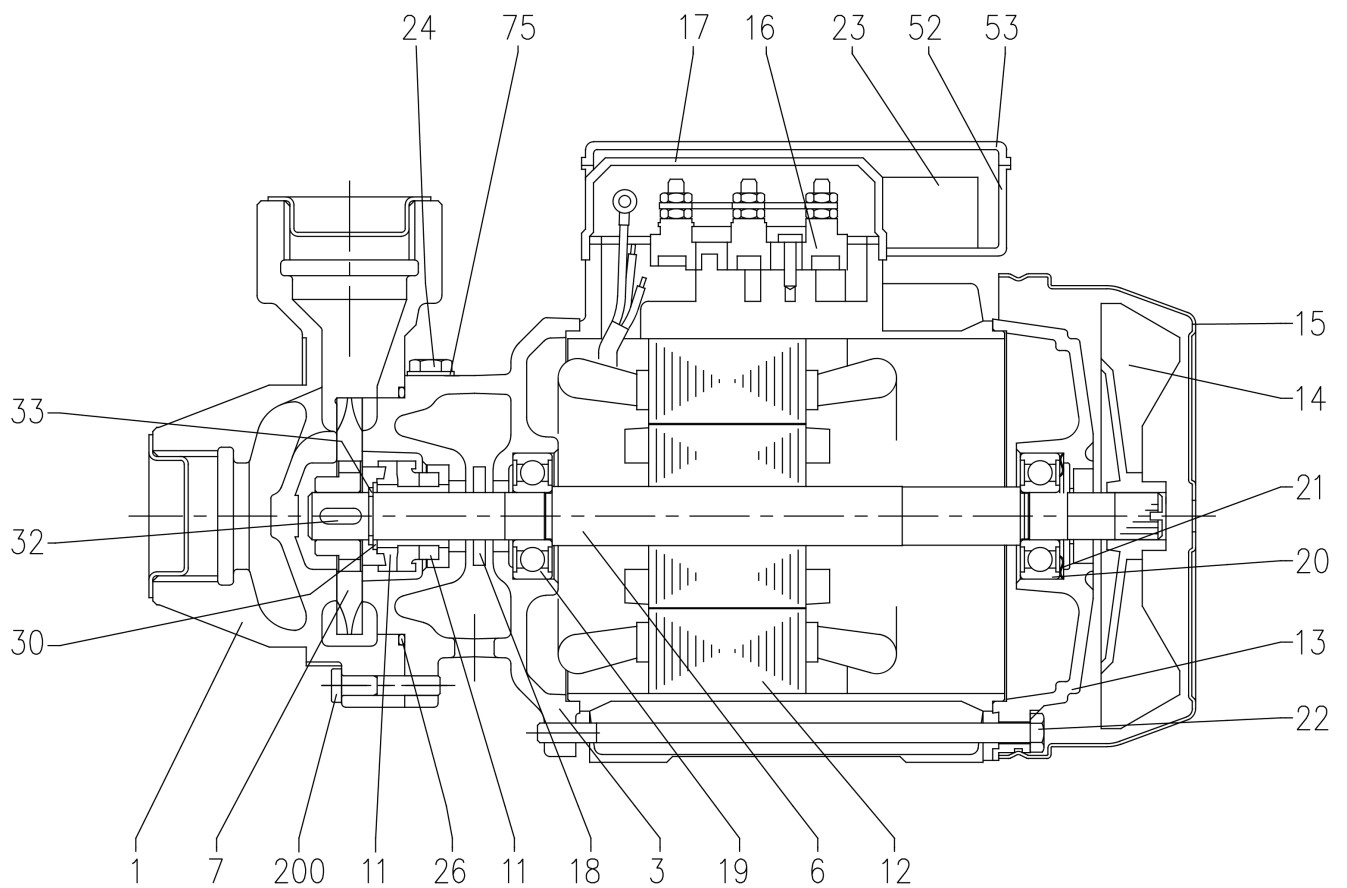
Dimensions in		mm						
1	A	141	R	113				
2	B	292	S	7				
3	C	161.3	V	PG11				
4	D	11	W	71.3				
5	E	52.7	Weight P&M	9,7 kg				
6	E1	20						
7	F	8						
8	H	161						
9	H1	71						
10	H2	90						
11	H3	172						
12	M	112						
13	M1	25						
14	N	112						
15	N1	135						

(1/3)

# Construction

Pump Name PRA 106 T

Customer	Date 2024-07-02	Company
Contact	Item no.	Issued by
Phone	Project	Phone
E-mail	Project ID Proiect redenumit 2024-07-02 22:34:28	E-mail



(2/3)

## Construction

Pump Name PRA 106 T

Customer	Date	2024-07-02	Company
Contact	Item no.		Issued by
Phone	Project		Phone
E-mail	Project ID	Project redenumit 2024-07-02 22:34:28	E-mail

N°	PART NAME	MATERIAL	Q.TY
1	Casing	Cast Iron	1
3	Motor bracket	Cast Iron	1
6	Shaft with rotor	[1]	1
7	Impeller	Brass	1
11	Mechanical seal [2]	Carbon/Ceramic/NBR	1
12	Motor frame with stator	-	1
13	Motor cover	Aluminium	1
14	Fan	PP	1
15	Fan cover	Fe P04 Zincate	1
16	Terminal box	-	1
17	Terminal box cover [3]	Aluminium	1
18	Splash ring	NBR	1
19	Pump side ball bearing	-	1
20	Fan side ball bearing	-	1
21	Adjusting ring	Steel C70	1
22	Tie rod	Fe 42 Zincate	4
23	Capactor [4]	-	1
24	Priming plug	Brass	1
26	O-Ring	NBR	1
30	Washer	AISI 304	1
32	Key	AISI 316	1
33	Seeger ring	AISI 304	1
52	Capactor box [4]	ABS class V-0	1
53	Capactor box cover [4]	ABS class V-0	1
75	Washer	Aluminium	1
200	Screw	Zincate Steel Cl. 8.8 ISO 898-1	3

[1] Material: Carbon steel (1.0736) for model PRA 056  
AISI 303 (wet extension) for the other models

[2] See **CONSTRUCTION 3**

[3] Only for Three phase

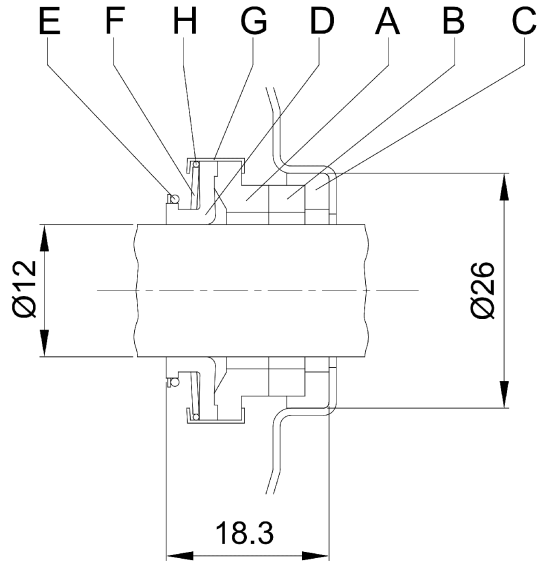
[4] Only for Single phase

(3/3)

# Construction

Pump Name PRA 106 T

Customer	Date 2024-07-02	Company
Contact	Item no.	Issued by
Phone	Project	Phone
E-mail	Project ID Proiect redenumit 2024-07-02 22:34:28	E-mail



REF	PART NAME	MATERIAL Standard version
A	Rotary seal ring	carbon graphite
B	Stationary seal ring	ceramic
C	Gasket	NBR
D	Bellows	NBR
E	Ring	AISI 304
F	Self driving spring	AISI 304
G	Frame	AISI 304
H	Reatainer ring	AISI 304