

Technical data

Pump name WY8BHE 95-14/75 FRK

| | | | |
|----------|------------|---------------------------------------|-----------|
| Customer | Date | 2024-06-13 | Company |
| Contact | Item no. | | Issued by |
| Phone | Project | | Phone |
| E-mail | Project ID | Proiect redenumit 2024-06-13 09:28:44 | E-mail |

Requested data

| | | | | |
|---|---------------------------|----------------------------|--------------------|-------------|
| 1 | Pump type | SUBMERSIBLE DEEPWELL PUMPS | Fluid | Water |
| 2 | Number of pumps / Reserve | 1 / 0 | Liquid temperature | °C 20 |
| 3 | Flow | m³/h | Kin. viscosity | mm²/s 1.005 |
| 4 | Head | m | Vapour pressure | bar 0.0234 |
| 5 | Geodetic head | m | PH value | |
| 6 | Inlet pressure (pin) | bar 0 | Density | kg/m³ 998.3 |
| 7 | Available system NPSH | | Solids | Weight % 0 |
| 8 | Ambient temperature | °C 20 | | |

Pump

| | | | | |
|----|------------------------|-----------------------------------|-----------------------------------|-------------------|
| 9 | Pump name | WY8BHE 95-14/75 FRK | Frequency | Hz 50 |
| 10 | Design | SUBMERSIBLE DEEPWELL PUMPS | Installation type | Franklin Motor 8" |
| 11 | Manufacturer | EBARA | Impeller Diameter | Max. mm 0 |
| 12 | Speed | rpm 2900 | | Designed mm |
| 13 | No. of Stage | 14 | | Min. mm 0 |
| 14 | Connection | Suction side | Flow | Operating m³/h |
| 15 | Connection | Discharge side | | Max- m³/h 120 |
| 16 | Max Working Pressure | bar 70 | | Min- m³/h 30 |
| 17 | Shut-off head | bar 30.39 | Head | Operating m |
| 18 | Total weight | kg See the table of "Dimensions". | | - (Qmax.) m 126.8 |
| 19 | Shaft power | kW | | - (Qmin.) m 292.3 |
| 20 | Max. fluid temperature | °C 40 | Max. Shaft Power at max. impeller | kW 59.36 |
| 21 | Required pump NPSH | m | Efficiency | % |

Materials

| | | | |
|----|------------------|----------------------|--|
| 22 | Impeller | EN 1.4401 (AISI 316) | |
| 23 | Discharge casing | EN 1.4301 (AISI 304) | |
| 24 | Shaft | EN 1.4301 (AISI 329) | |
| 25 | Diffuser | EN 1.4301 (AISI 304) | |
| 26 | | | |
| 27 | | | |

Motor

| | | | | |
|----|----------------------|--|------------------|--------|
| 28 | Manufacturer | FRANKLIN | Insulation class | F |
| 29 | Type | 8" 8BHE 95-14/75_380_Three Phase | Phases | 3~ |
| 30 | Specific design | Submersible water filled type / 50 Hz / Pole pairs 1 | Frame size | 8" |
| 31 | Rated power | kW 75 | Weight | kg 265 |
| 32 | Number of poles | 2 | Electric voltage | V 380 |
| 33 | Speed | rpm 2920 | Electric current | A 153 |
| 34 | Degree of protection | IP 68 | | |
| 35 | | | | |

Remarks

Performance Curve

Pump Name

WY8BHE 95-14/75 FRK

| | | | |
|----------|------------|---------------------------------------|-----------|
| Customer | Date | 2024-06-13 | Company |
| Contact | Item no. | | Issued by |
| Phone | Project | | Phone |
| E-mail | Project ID | Proiect redenumit 2024-06-13 09:28:44 | E-mail |

Requested data

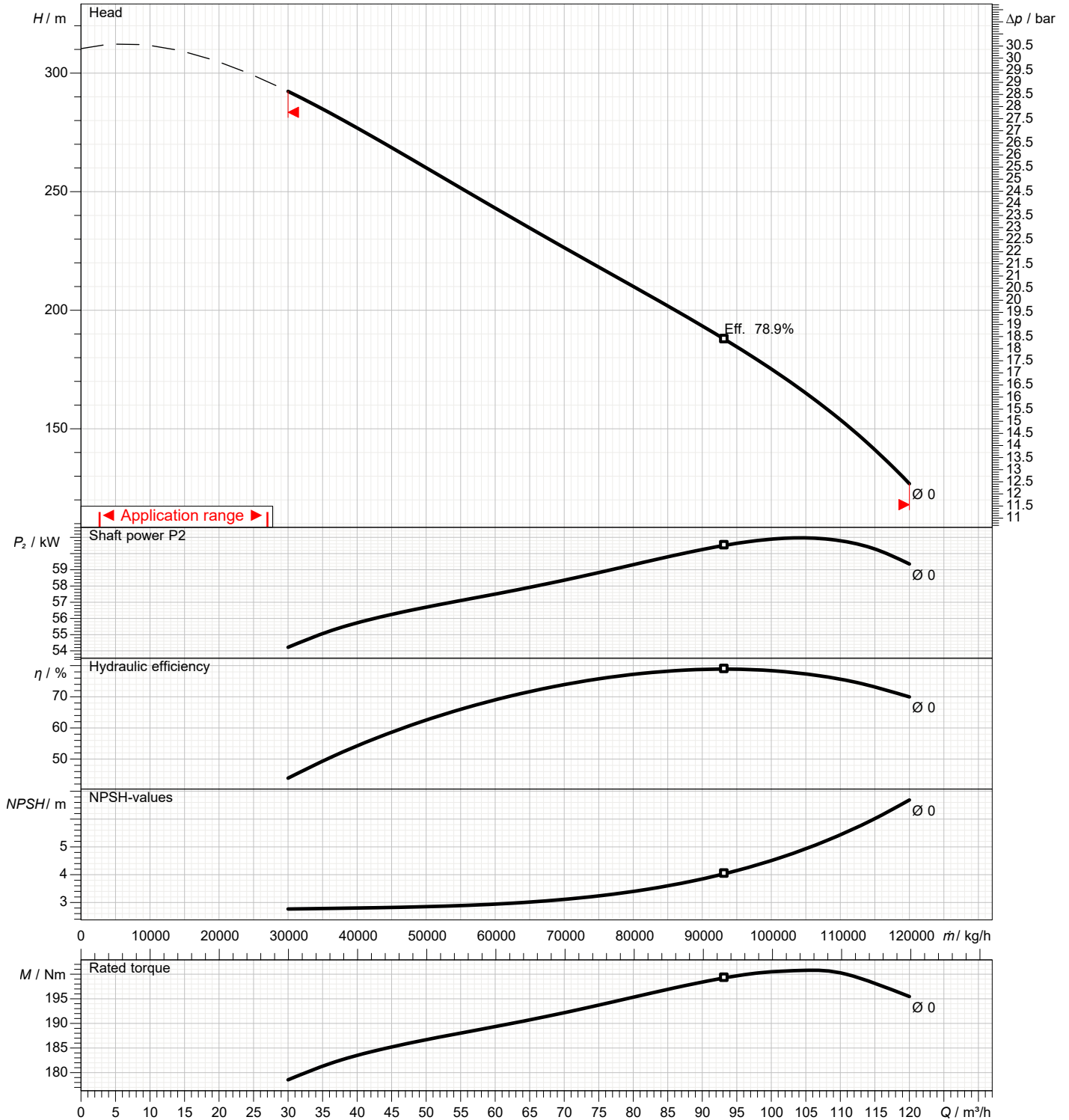
| | | | |
|---|---------------|------|--|
| 1 | Flow | m³/h | |
| 2 | Head | m | |
| 3 | Geodetic head | m | |

Pump

| | | | | |
|----------------------------|------|-----------------|-----|------|
| Operating flow | m³/h | Frequency | Hz | 50 |
| Operating head | m | Number of poles | | 2 |
| Impeller diameter designed | mm | Speed | rpm | 2900 |

Test standard: ISO 9906:2012 - Grade3B

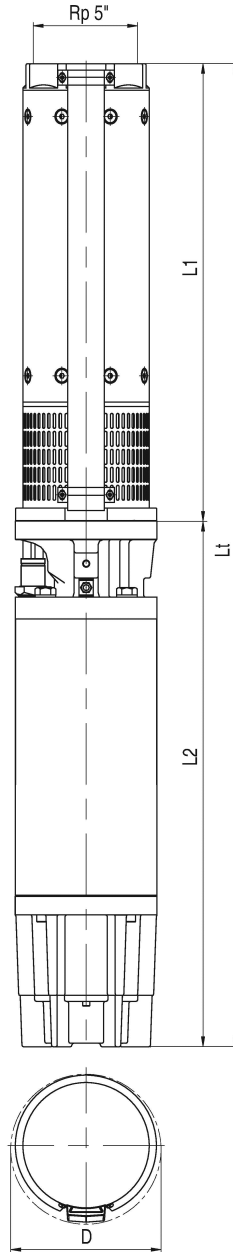
Water; 20°C; 998.3kg/m³; 1mm²/s



Dimensions

Pump name WY8BHE 95-14/75 FRK

| | | | |
|----------|------------|---------------------------------------|-----------|
| Customer | Date | 2024-06-13 | Company |
| Contact | Item no. | | Issued by |
| Phone | Project | | Phone |
| E-mail | Project ID | Proiect redenumit 2024-06-13 09:28:44 | E-mail |



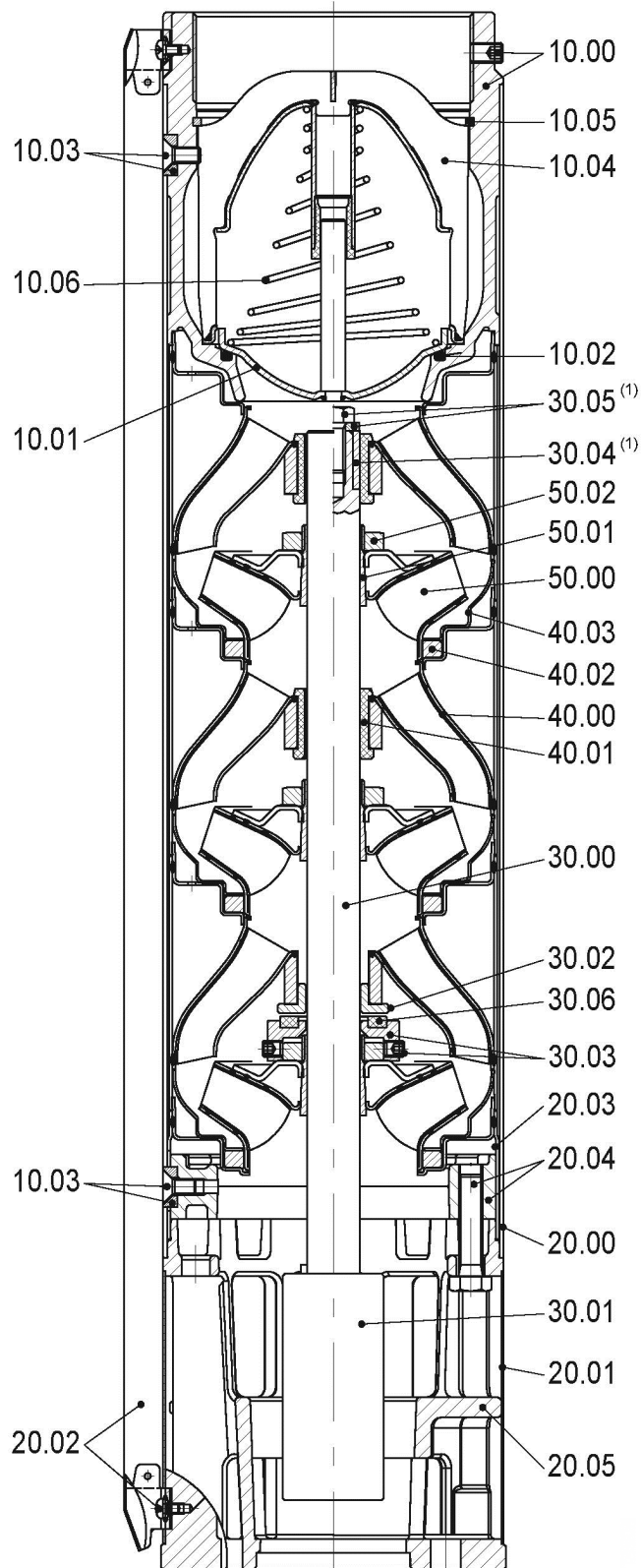
| Dimensions in | | mm | | | | | | |
|---------------|------------|--------|--|--|--|--|--|--|
| 1 | D 1 CABLE | 200 | | | | | | |
| 2 | D 2 CABLE | 202 | | | | | | |
| 3 | L1 | 2161 | | | | | | |
| 4 | L2 | 1455 | | | | | | |
| 5 | LT | 3616 | | | | | | |
| 6 | Weight P&M | 597 kg | | | | | | |
| 7 | | | | | | | | |
| 8 | | | | | | | | |
| 9 | | | | | | | | |
| 10 | | | | | | | | |
| 11 | | | | | | | | |
| 12 | | | | | | | | |
| 13 | | | | | | | | |
| 14 | | | | | | | | |
| 15 | | | | | | | | |

(1/2)

Construction

Pump name WY8BHE 95-14/75 FRK

| | | |
|----------|--|-----------|
| Customer | Date 2024-06-13 | Company |
| Contact | Item no. | Issued by |
| Phone | Project | Phone |
| E-mail | Project ID Proiect redenumit 2024-06-13 09:28:44 | E-mail |



(2/2)

Construction

Pump name WY8BHE 95-14/75 FRK

| | | | |
|----------|------------|---------------------------------------|-----------|
| Customer | Date | 2024-06-13 | Company |
| Contact | Item no. | | Issued by |
| Phone | Project | | Phone |
| E-mail | Project ID | Project redenumit 2024-06-13 09:28:44 | E-mail |

| N° | NAME | MATERIAL Standard version |
|-------|---------------------------|---|
| 10.00 | Discharge head | EN 1.4301 (AISI 304) |
| 10.01 | Valve | EN 1.4401 (AISI 316) |
| 10.02 | Sealing O-ring | NBR |
| 10.03 | Outer case locking nuts | EN 1.4401 (AISI 316) |
| 10.04 | Valve support | EN 1.4401 (AISI 316) |
| 10.05 | Seeger ring | EN 1.4401 (AISI 316) |
| 10.06 | Spring | EN 1.4401 (AISI 316) |
| 20.00 | Outer case | EN 1.4301 (AISI 304) |
| 20.01 | Suction strainer | EN 1.4401 (AISI 316) |
| 20.02 | Cable guard | EN 1.4401 (AISI 316) |
| 20.03 | Initial spacer | EN 1.4401 (AISI 316) |
| 20.04 | Flange | EN 1.4301 (AISI 304) |
| 20.05 | Motor adapter | EN 1.4301 (AISI 304) |
| 30.00 | Pump shaft | EN 1.4460 (AISI 329) |
| 30.01 | Coupling | EN 1.4057 (AISI 431) + EN 1.4460 (AISI 329) |
| 30.02 | Upper up-thrust washer | EN 1.4460 (AISI 329) |
| 30.03 | Lower up-thrust washer | EN 1.4460 (AISI 329) |
| 30.04 | Upper journal sleeve [1] | Stainless steel with ceramic casting |
| 30.05 | Screw and washer [1] | EN 1.4401 (AISI 316) |
| 30.06 | Up-thrust ring | PTFE + Graphite |
| 40.00 | Diffuser | EN 1.4301 (AISI 304) |
| 40.01 | Secondary bearing bush | NBR |
| 40.02 | Floating neck ring | PTFE |
| 40.03 | Flange clamping neck ring | EN 1.4401 (AISI 316) |
| 50.00 | Impeller | EN 1.4401 (AISI 316) |
| 50.01 | Split cone | EN 1.4401 (AISI 316) |
| 50.02 | Split cone nut | EN 1.4401 (AISI 316) |

[1] only for types with more than 8 stages