

## VESSELS & DISTRIBUTION SYSTEMS

### STRUCTURAL VESSELS

#### FEATURES

- Features 2.5" threaded tanks :
  - Operating pressure : min. 0 - max. 10 bar
  - Operating temperature : min. 0 - max. 50 °C



#### RESIDENTIAL COMPOSITE POLYGLASS VESSEL 2.5" THREADED TOP

Reference	Item Name	Diameter	Height	Vol.	€
0501.C0613A1	Polyglass tank 2.5" 6x13 top without base	159	344	4.6	
0501.C0618A1	Polyglass tank 2.5" 6x18 top without base	159	477	6.9	
0501.C0717A3	Polyglass tank 2.5" 7x17 top with base	184	448	8.8	
0501.C0717A1	Polyglass tank 2.5" 7x17 top without base	184	448	8.8	
0501.C0730A3	Polyglass tank 2.5" 7x30 top with base	184	780	16.8	
0501.C0730A1	Polyglass tank 2.5" 7x30 top without base	184	780	16.8	
0501.C0735A3	Polyglass tank 2.5" 7x35 top with base	184	903	20.4	
0501.C0735A1	Polyglass tank 2.5" 7x35 top without base	184	903	20.4	
0501.C0817A3	Polyglass tank 2.5" 8x17 top with base	208	437	11.0	
0501.C0817A1	Polyglass tank 2.5" 8x17 top without base	208	437	11.0	
0501.C0818A3	Polyglass tank 2.5" 8x18 top with base	208	449	11.4	
0501.C0818A1	Polyglass tank 2.5" 8x18 top without base	208	449	11.4	
0501.C0835A3	Polyglass tank 2.5" 8x35 top with base	208	904	25.7	
0501.C0835A1	Polyglass tank 2.5" 8x35 top without base	208	904	25.7	
0501.C0935A3	Polyglass tank 2.5" 9x35 top with base	233	905	31.3	

\* In some cases the height of the vessels may vary slightly (1 - 2cm)

## VESSELS & DISTRIBUTION SYSTEMS

### STRUCTURAL VESSELS

Reference	Item Name	Diameter	Height	Vol.	€
0501.C0935A1	Polyglass tank 2.5" 9x35 top without base	233	905	31.3	
0501.C1012A1	Polyglass tank 2.5" 10x12 top without base	257	338	11.5	
0501.C1035A3	Polyglass tank 2.5" 10x35 top with base	257	905	38.9	
0501.C1035A1	Polyglass tank 2.5" 10x35 top without base	257	905	38.9	
0501.C1044A3	Polyglass tank 2.5" 10x44 top with base	257	1121	48.8	
0501.C1054A3	Polyglass tank 2.5" 10x54 top with base	257	1381	61.0	
0501.C1248A5	Polyglass tank 2.5" 12x48 top with base	307	1232	75.6	
0501.C1354A5	Polyglass tank 2.5" 13x54 top with base	334	1374	103.1	

# VESSELS & DISTRIBUTION SYSTEMS

## STRUCTURAL VESSELS

### FEATURES

- Features 4" threaded tanks :
  - Operating pressure : min. - max. 10 bar
  - Operating temperature : min. 0 - max. 50 °C

### INDUSTRIAL COMPOSITE STRUCTURAL VESSEL 4" THREADED TOP

Reference	Item Name	Diameter	Height	Vol.	€
0502.C1452-A3	Threaded composite tank 4" 14x52 top only	369	1380	122	
0502.C1465A3	Threaded composite tank 4" 14x65 top only	369	1660	140	
0502.C1649A3	Threaded composite tank 4" 16x49 top only	406	1278	128	
0502.C1665A3	Threaded composite tank 4" 16x65 top only	406	1650	170	
0502.C1865A3	Threaded composite tank 4" 18x65 top only	469	1746	250	
0502.C2160A3	Threaded composite tank 4" 21x60 top only	552	1640	309	
0502.C2469A3	Threaded composite tank 4" 24x69 top only	610	1890	436	

# VESSELS & DISTRIBUTION SYSTEMS

## STRUCTURAL VESSELS

### INDUSTRIAL COMPOSITE STRUCTURAL VESSEL 4" THREADED TOP & BOTTOM

Reference	Item Name	Diameter	Height	Vol.	€
0502.C1465F7	Threaded composite tank 4" top - 4" bottom 14x65	369	2028	140	
0502.C1665F7	Threaded composite tank 4" top - 4" bottom 16x65	406	2027	170	
0502.C1865F7	Threaded composite tank 4" top - 4" bottom 18x65	469	1890	245	
0502.C2160F7	Threaded composite tank 4" top - 4" bottom 21x60	552	1777	310	
0502.C2469F7	Threaded composite tank 4" top - 4" bottom 24x69	610	1997	435	
0502.C3072F7	Threaded composite tank 4" top - 4" bottom 30x72	770	2040	712	
0502.C3672F7	Threaded composite tank 4" top - 4" bottom 36x72	927	2142	1072	

Material: Polyethylene innerliner, glass-epoxy Laminate  
 Colour: RAL5015

An Aeration valve A-AV-150PP is included for all Structural vessels starting from 30"

\* In some cases the height of the vessels may vary slightly (1 - 2cm)

# VESSELS & DISTRIBUTION SYSTEMS

## STRUCTURAL VESSELS

### FEATURES

- Features 6" flanged tanks :
  - Operating pressure : min. - max. 10 bar
  - Operating temperature : min. 0 - max. 65 °C



### INDUSTRIAL COMPOSITE STRUCTURAL VESSEL 6" FLANGED TOP

Reference	Item Name	Diameter	Height	Vol.	€
0503.C1468A3	Flanged composite tank 6" top only 14x68	369	1713	138	
0503.C1668A3	Flanged composite tank 6" top only 16x68	406	1724	170	
0503.C1868A3	Flanged composite tank 6" top only 18x68	469	1792	248	
0503.C2166A3	Flanged composite tank 6" top only 21x66	552	1683	308	
0503.C2475A3	Flanged composite tank 6" top only 24x75	610	1918	450	
0503.C3078A3	Flanged composite tank 6" top only 30x78	770	2073	710	
0503.C3678A3	Flanged composite tank 6" top only 36x78	927	2149	1020	
0503.C4278A3	Flanged composite tank 6" top only 42x78	1074	2090	1360	
0503.C4882A3	Flanged composite tank 6" top only 48x82	1226	2133	1840	

Please contact us incase you need a special made composite tank with adjusted cylindrical lenght, extra dome- / sidehole(s), lifting lugs, blindflange(s), ...



# VESSELS & DISTRIBUTION SYSTEMS

## STRUCTURAL VESSELS



### INDUSTRIAL COMPOSITE STRUCTURAL VESSEL 6" FLANGED TOP & BOTTOM

Reference	Item Name	Diam.	Height	Vol.	€
0503.C1468F7	Flanged composite tank 6" top - 6" bottom 14x68	369	2093	140	
0503.C1668F7	Flanged composite tank 6" top - 6" bottom 16x68	408	2135	248	
0503.C1868F7	Flanged composite tank 6" top - 6" bottom 18x68	473	2135	248	
0503.C2166F7	Flanged composite tank 6" top - 6" bottom 21x66	552	1995	306	
0503.C2475F7	Flanged composite tank 6" top - 6" bottom 24x75	609	2240	437	
0503.C3078F7	Flanged composite tank 6" top - 6" bottom 30x78	772	2295	707	
0503.C3678F7	Flanged composite tank 6" top - 6" bottom 36x78	923	2340	1026	
0503.C4278F7	Flanged composite tank 6" top - 6" bottom 42x78	1068	2425	1325	
0503.C4882F7	Flanged composite tank 6" top - 6" bottom 48x82	1213	2240	1792	
0503.C55130F7	Flanged composite tank 6" top - 6" bottom 55x130	1424	3385	3597	
0503.C55140F7	Flanged composite tank 6" top - 6" bottom 55x140	1424	3635	3979	
0503.C55104F7	Flanged composite tank 6" top - 6" bottom 55x104	1424	2745	2620	
0503.C55120F7	Flanged composite tank 6" top - 6" bottom 55x120	1424	3130	3208	
0503.C63103F7	Flanged composite tank 6" top - 6" bottom 63x103	1620	3260	4231	
0503.C63113F7	Flanged composite tank 6" top - 6" bottom 63x113	1620	3510	4727	
0503.C63123F7	Flanged composite tank 6" top - 6" bottom 63x123	1620	3760	5224	
0503.C6367F7	Flanged composite tank 6" top - 6" bottom 63x67	1620	2345	2414	
0503.C6386F7	Flanged composite tank 6" top - 6" bottom 63x86	1620	2745	3208	

\* In some cases the height of the vessels may vary slightly (1 - 2cm)

Material: Polyethylene innerliner, glass-epoxy Laminate

Colour: RAL5015

An Aeration valve A-AV-150PP is included for all Structural vessels starting from 30"

# VESSELS & DISTRIBUTION SYSTEMS

## VINYLESTER VESSELS

### FEATURES

- Features 2.5" vinylester tanks :
  - Operating pressure : min. - max. 10 bar
  - Operating temperature : min. 0 - max. 65 °C



Reference	Item Name	Diameter	Height	Volume	€
0507.V0735Q3	Vinylester tank 2.5" top 7x35 with base	184	893	18.0L	
0507.V0822Q3	Vinylester tank 2.5" top 8x22 with base	210	575	16.9L	
0507.V0935Q3	Vinylester tank 2.5" top 9x35 with base	236	895	33.9L	
0507.V1019Q3	Vinylester tank 2.5" top 10x19 with base	257	489	20.0L	
0507.V1035Q3	Vinylester tank 2.5" top 10x35 with base	257	893	40.1L	
0507.V1044Q3	Vinylester tank 2.5" top 10x44 with base	257	1124	51.7L	
0507.V1354Q3	Vinylester tank 2.5" top 13x54 with base	335	1385	105.9L	

Colour: RAL5015

# VESSELS & DISTRIBUTION SYSTEMS

## HST HOT WATER TANKS

### FEATURES

- 2.5" tanks :
  - Operating pressure : min. 0 - max. 10 bar
  - Operating temperature : min. 1 - max. 80 °C

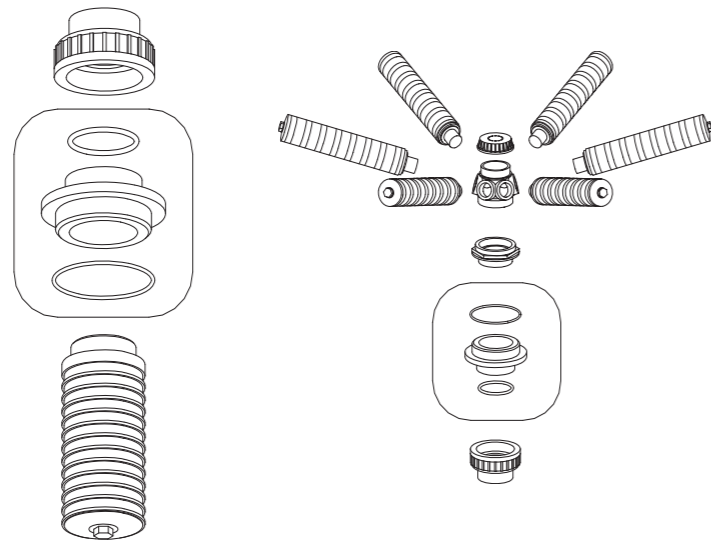
Reference	Item Name	Diameter	Height	Volume	€
0522.C0618A3-HW	HST high temp tank 6x13 with base	159	473	6.5L	
0522.C0735A3-HW	HST high temp tank 7x35 with base	196	897	18.5L	
0522.C0817A3-HW	HST high temp tank 8x17 with base	219	442	10.5L	
0522.C0935A3-HW	HST high temp tank 9x35 with base	246	901	32.0L	
0522.C1019A3-HW	HST high temp tank 10x19 with base	271	485	19.0L	
0522.C1035A3-HW	HST high temp tank 10x35 with base	271	897	39.0L	
0522.C1054A3-HW	HST high temp tank 10x54 with base	271	1385	62.0L	
0522.C1354A3-HW	HST high temp tank 13x54 with base	350	1390	106L	



# VESSELS & DISTRIBUTION SYSTEMS

## DISTRIBUTION SYSTEMS & ACCESSORIES

### 4" THREADED OPENING ADAPTOR UNION 63 MM GLUE CONNECTION (SIDE MOUNT)

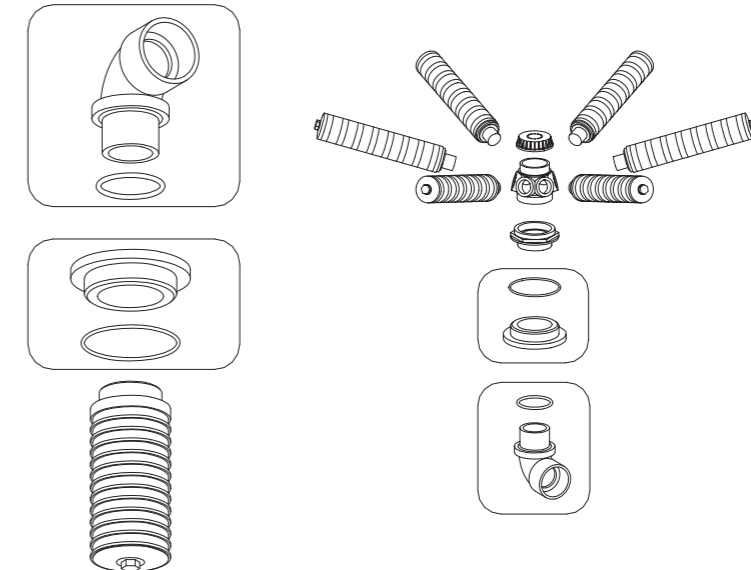


Reference	Item Name	Slot Size	€
0508.A27UN63	Top distributor 4" with 63 mm union for vessel 14-36"	0.2 mm	
0508.A21UN63	Bottom distributor 4" with 63 mm union for vessel 21-24"	0.2 mm	
0508.A30UN63	Bottom distributor 4" with 63 mm union for vessel 30"	0.2 mm	
0508.A36UN63	Bottom distributor 4" with 63 mm union for vessel 36"	0.2 mm	
0508.A27UN65	Top distributor 4" with 63 mm union for vessel 14-36"	0.5 mm	
0508.A21UN65	Bottom distributor 4" with 63 mm union for vessel 21-24"	0.5 mm	
0508.A30UN65	Bottom distributor 4" with 63 mm union for vessel 30"	0.5 mm	
0508.A36UN65	Bottom distributor 4" with 63 mm union for vessel 36"	0.5 mm	

# VESSELS & DISTRIBUTION SYSTEMS

## DISTRIBUTION SYSTEMS & ACCESSORIES

### 4" THREADED TOP & BOTTOM TO 63 MM GLUE CONNECTION WITH ELBOW



Reference	Item Name	Slot Size	€
0508.A272763	Top distributor 4" with 63 mm elbow for vessel 14"	0.2 mm	
0508.A281663	Bottom distributor 4" with 63 mm elbow for vessel 14" - 16" - 18"	0.2 mm	
0508.A282163	Bottom distributor 4" with 63 mm elbow for vessel 21" - 24"	0.2 mm	
0508.A283063	Bottom distributor 4" with 63 mm elbow for vessel 30"	0.2 mm	
0508.A283663	Bottom distributor 4" with 63 mm elbow for vessel 36"	0.2 mm	
0508.A272765	Top distributor 4" with 63 mm elbow for vessel 14" - 36"	0.5 mm	
0508.A281665	Bottom distributor 4" with 63 mm elbow for vessel 14" - 16" - 18"	0.5 mm	
0508.A282165	Bottom distributor 4" with 63 mm elbow for vessel 21" - 24"	0.5 mm	
0508.A283065	Bottom distributor 4" with 63 mm elbow for vessel 30"	0.5 mm	
0508.A283665	Bottom distributor 4" with 63 mm elbow for vessel 36"	0.5 mm	

# VESSELS & DISTRIBUTION SYSTEMS

## DISTRIBUTION SYSTEMS & ACCESSORIES

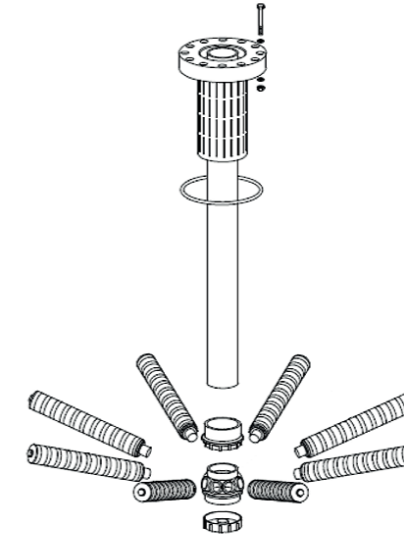
### 4" THREADED TOP FOR TOP MOUNTED VALVE WITH RISER TUBE 50 MM/63 MM

Reference	Item Name	Slot Size	€
0508.A1650TM	Riser tube with threaded lateral system 50 mm for 14" - 16" - 18" vessels	0.2 mm	
0508.A2150TM	Riser tube with threaded lateral system 50 mm for 21" and 24" vessels	0.2 mm	
0508.A3050TM	Riser tube with threaded lateral system 50 mm for 30" vessels	0.2 mm	
0508.A3650TM	Riser tube with threaded lateral system 50 mm for 36" vessels	0.2 mm	
0508.A3063TM	Riser tube with threaded lateral system 63 mm for 30" vessels	0.2 mm	
0508.A3663TM	Riser tube with threaded lateral system 63 mm for 36" vessels	0.2 mm	

# VESSELS & DISTRIBUTION SYSTEMS

## DISTRIBUTION SYSTEMS & ACCESSORIES

### 6" FLANGED TOP FOR TOP MOUNTED VALVE WITH RISER TUBE 90MM

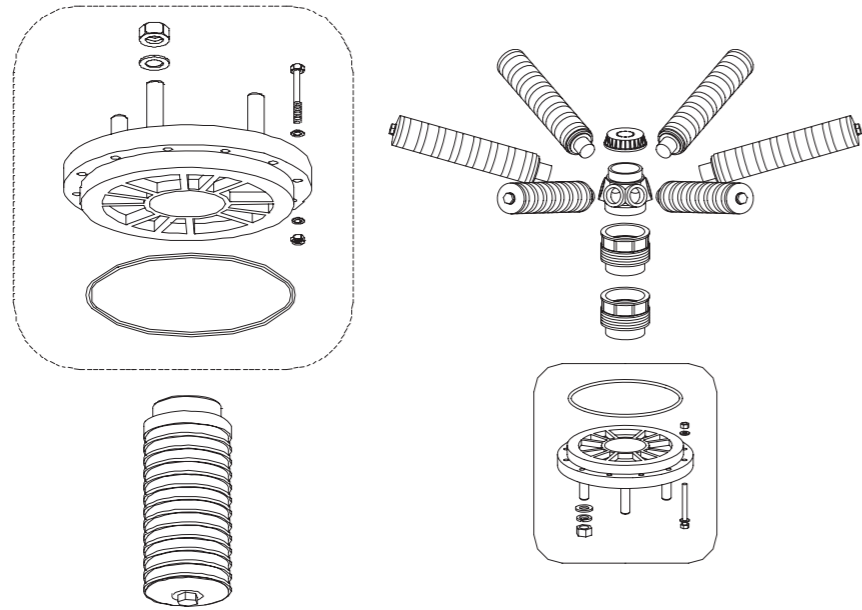


Reference	Item Name	Slot Size	€
0508.ATF30025	Riser tube 90 mm + lateral bottom distributor for 6" top vessels 30"	0.2 mm	
0508.ATF36025	Riser tube 90 mm + lateral bottom distributor for 6" top vessels 36"	0.2 mm	
0508.ATF42025	Riser tube 90 mm + lateral bottom distributor for 6" top vessels 42"	0.2 mm	
0508.ATF48025	Riser tube 90 mm + lateral bottom distributor for 6" top vessels 48"	0.2 mm	

# VESSELS & DISTRIBUTION SYSTEMS

## DISTRIBUTION SYSTEMS & ACCESSORIES

### 6" FLANGED TOP & BOTTOM TO DN65 FLANGE

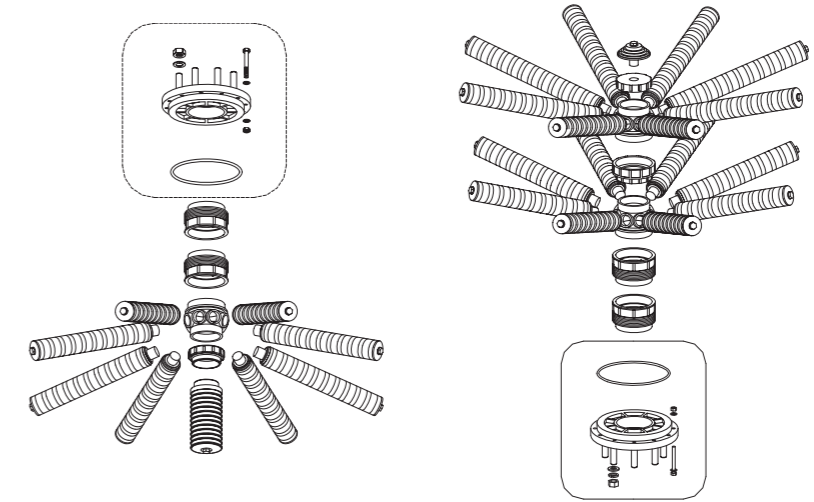


Reference	Item Name	Slot Size	€
0508.A2727F6	Top distributor 6" flange to DN65 flange for vessel 14"-36"	0.2 mm	
0508.A2716F6	Bottom distributor 6" flange to DN65 flange for vessel 14"-16"-18"	0.2 mm	
0508.A2721F6	Bottom distributor 6" flange to DN65 flange for vessel 21"-24"	0.2 mm	
0508.A2730F6	Bottom distributor 6" flange to DN65 flange for vessel 30"	0.2 mm	
0508.A2736F6	Bottom distributor 6" flange to DN65 flange for vessel 36"	0.2 mm	
0508.A2527F6	Top distributor 6" flange to DN65 flange for vessel 14"-36"	0.5 mm	
0508.A2516F6	Bottom distributor 6" flange to DN65 flange for 14"-16"-18"	0.5 mm	
0508.A2521F6	Bottom distributor 6" flange to DN65 flange for vessel 21"-24"	0.5 mm	
0508.A2530F6	Bottom distributor 6" flange to DN65 flange for vessel 30"	0.5 mm	
0508.A2536F6	Bottom distributor 6" flange to DN65 flange for vessel 36"	0.5 mm	

# VESSELS & DISTRIBUTION SYSTEMS

## DISTRIBUTION SYSTEMS & ACCESSORIES

### 6" FLANGED TOP & BOTTOM TO DN80 FLANGE



Reference	Item Name	Slot Size	€
0508.A2742FU	Top distributor 6" flange to DN80 flange for vessel 42"	0.2 mm	
0508.A2748FU	Top distributor 6" flange to DN80 flange for vessel 48"	0.2 mm	
0508.A2755FU	Top distributor 6" flange to DN80 flange for vessel 55"	0.2 mm	
0508.A2763FU	Top distributor 6" flange to DN80 flange for vessel 63"	0.2 mm	
0508.A2542FU	Top distributor 6" flange to DN80 flange for vessel 42"	0.5 mm	
0508.A2548FU	Top distributor 6" flange to DN80 flange for vessel 48"	0.5 mm	
0508.A2555FU	Top distributor 6" flange to DN80 flange for vessel 55"	0.5 mm	
0508.A2563FU	Top distributor 6" flange to DN80 flange for vessel 63"	0.5 mm	
0508.A2742FL	Bottom distributor 6" flange to DN80 flange for vessel 42"	0.2 mm	
0508.A2748FL	Bottom distributor 6" flange to DN80 flange for vessel 48"	0.2 mm	
0508.A2755FL	Bottom distributor 6" flange to DN80 flange for vessel 55"	0.2 mm	
0508.A2763FL	Bottom distributor 6" flange to DN80 flange for vessel 63"	0.2 mm	
0508.A2542FL	Bottom distributor 6" flange to DN80 flange for vessel 42"	0.5 mm	
0508.A2548FL	Bottom distributor 6" flange to DN80 flange for vessel 48"	0.5 mm	
0508.A2555FL	Bottom distributor 6" flange to DN80 flange for vessel 55"	0.5 mm	
0508.A2563FL	Bottom distributor 6" flange to DN80 flange for vessel 63"	0.5 mm	

# VESSELS & DISTRIBUTION SYSTEMS

## DISTRIBUTION SYSTEMS & ACCESSORIES

### 6" FLANGED TOP & BOTTOM TO DN100 FLANGE

Reference	Item Name	Slot Size	€
0508.AST1004202	Top/bottom distributor 6" flange to DN100 flange for vessel 42"	0.2 mm	
0508.AST1004802	Top/bottom distributor 6" flange to DN100 flange for vessel 48"	0.2 mm	
0508.AST1005502	Top/bottom distributor 6" flange to DN100 flange for vessel 55"	0.2 mm	
0508.AST1006302	Top/bottom distributor 6" flange to DN100 flange for vessel 63"	0.2 mm	
0508.AST1004805	Top/bottom distributor 6" flange to DN100 flange for vessel 48"	0.5 mm	
0508.AST1006305	Top/bottom distributor 6" flange to DN100 flange for vessel 63"	0.5 mm	

# VESSELS & DISTRIBUTION SYSTEMS

## DISTRIBUTION SYSTEMS & ACCESSORIES

### ADAPTERS

Reference	Item Name	€
0509.A27522C	Adapter 4" - 2.5" thread with O-ring	
0509.A310007C	Adapter 6" flange - 2 1/2" thread with O-ring	
0509.A310008C	Adapter 6" flange - 4" thread with O-ring	
0509.A310011C	Adapter 6" flange - 6" thread with O-ring (incl. distributor)	
0509.A310002C	Adapter 6" flange - DN65	
0509.A310003C	Adapter 6" flange - DN80	
0509.A310009C	Adapter 6" flange - DN100	

### CLOSURES

Reference	Item Name	€
0509.A27511C	Closure 2.5" thread with O-ring	
0509.A27521C	Closure 4" with O-ring	
0509.A26953FC	Closure 6" thread with O-ring	
0509.A310001C	Closure 6" flange with O-ring	

# VESSELS & DISTRIBUTION SYSTEMS

## DISTRIBUTION SYSTEMS & ACCESSORIES

### O-RINGS

Reference	Item Name	€
0509.A269417	O-ring 2" 1/2 (64 x 5,33 mm)	
0509.A26943F	O-ring 4" (98 x 4 mm)	
0509.A26948F	O-ring 6" flange (183,52 x 6,99 mm)	

### BASES FOR COMPOSITE STRUCTURAL VESSELS

Reference	Item Name	€
0501.B007	Polyglass Foot Tank 7"	
0501.B008	Polyglass Foot Tank 8"	
0501.B009	Polyglass Foot Tank 9"	
0501.B010	Polyglass Foot Tank 10"	

### AERATION VALVE

If there is no aeration valve, the warranty is voided in case of vacuum leading to tank break. Aeration valve is a safety device to prevent this.

Reference	Item Name	€
0509.AAV150PP	Aeration valve 1" 1/2 BSP - 1/2" BSP for 14" - 63" vessels	

\*\* is already included with Pentair tanks as from 30" diameter

# VESSELS & DISTRIBUTION SYSTEMS

## WELLMATE PRESSURE VESSELS

### FEATURES

- Replaceable air cell assures easier field servicing
- Greater drawdown than comparably sized steel tanks yields greater efficiency
- Extended labor warranty option is available to homeowners
- Won't rust in corrosive environments, particularly important in coastal regions
- Quicker and less costly to install, usually requiring only one person and fewer man-hours
- Wider pressure setting differential provides greater flexibility



Reference	Item Name	Volume	Height	Connections	€
<b>Working Pressure: 8.6 bar</b>					
0511.WM0060	Well Mate tank	55 L	660	1"	
0511.WM0075	Well Mate tank	75 L	810	1"	
0511.WM0120	Well Mate tank	112 L	1120	1"	
0511.WM0150	Well Mate tank	153 L	1450	1"	
0511.WM0180	Well Mate tank	178 L	1050	1 1/4"	
0511.WM0235	Well Mate tank	235 L	1050	1 1/4"	
0511.WM0330	Well Mate tank	328 L	1400	1 1/4"	
0511.WM0450	Well Mate tank	453 L	1890	1 1/4"	

# WAVE CYBER TANKS

## WAVE CYBER VESSELS

### 2 1/2 " THREADED TOP OPENING

Reference	Diameter mm	Height mm	Volume L	Opening	€
0521.C0717-A3	182	430	8.3	Top only	
0521.C0730-A1	182	762	16.2	Top only	
0521.C0730-A3	182	764	16.2	Top only	
0521.C0735-A1	182	890	19.1	Top only	
0521.C0735-A3	182	898	19.1	Top only	
0521.C0817-A3	207	432	11.0	Top only	
0521.C0818-A1	207	457	11.5	Top only	
0521.C0818-A3	207	459	11.5	Top only	
0521.C0824-A1	207	610	16.6	Top only	
0521.C0835-A1	207	890	24.8	Top only	
0521.C0835-A3	207	898	24.8	Top only	
0521.C0844-A3	207	1132	32.1	Top only	
0521.C0935-A1	233	890	31.6	Top only	
0521.C0935-A3	233	896	31.6	Top only	
0521.C1017-A3	258	436	16.8	Top only	
0521.C1018-A1	258	457	18.0	Top only	
0521.C1019-A3	258	487	19.2	Top only	
0521.C1024-A1	258	605	25.1	Top only	
0521.C1030-A3	258	766	32.4	Top only	
0521.C1035-A1	258	890	38.4	Top only	
0521.C1035-A3	258	897	38.4	Top only	
0521.C1044-A3	258	1126	50.1	Top only	
0521.C1047-DH	258	1205	54.0	Top only + dome opening	
0521.C1054-A3	258	1386	62.4	Top only	
0521.C1054-DH	258	1391	62.4	Top only + dome opening	
0521.C1248-A3	310	1232	79.5	Top only	
0521.C1354-A3	338	1398	105.7	Top only	

# WAVE CYBER TANKS

## WAVE CYBER VESSELS

### 2 1/2 " THREADED TOP OPENING

Reference	Diameter mm	Height mm	Volume L	Opening	€
0521.C1354-DH	338	1400	105.7	Top only + dome opening	
0521.C1452-A3-2,5	365	1340	115.0	Top only	
0521.C1465-A3-2,5	365	1674	148.0	Top only	
0521.C1665-A3-2,5	415	1671	194.0	Top only	

THESE TANKS CAN ALSO BE SUPPLIED IN BLACK COLOUR !

A1 = WITHOUT BASE  
A3 = WITH BASE  
DH = WITH DOME HOLE

### 4 " THREADED OPENING

Reference	Diameter mm	Height mm	Volume L	Opening	€
0521.C1447-A3	365	1194	101	Top only	
0521.C1452-A3	365	1340	115	Top only	
0521.C1465-A3	365	1674	148	Top only	
0521.C1465-F7	365	1674	148	Top + Bottom	
0521.C1652-A3	415	1341	153	Top only	
0521.C1665-A3	415	1671	194	Top only	
0521.C1665-F7	415	1671	194	Top + Bottom	
0521.C1865-A3	486	1722	269	Top only	
0521.C1865-F7	486	2027	257	Top + Bottom	
0521.C2153-A3	555	1434	277	Top only	
0521.C2162-A3	555	1721	344	Top only	
0521.C2162-F7	555	2064	330	Top + Bottom	
0521.C2472-A3	626	1918	473	Top only	
0521.C2472-F7	626	2168	473	Top + Bottom	
0521.C3072-A3	780	1836	697	Top only	
0521.C3072-F7	780	2139	697	Top + Bottom	
0521.C3672-A3	938	1856	1011	Top only	
0521.C3672-F7	938	2147	1011	Top + Bottom	

THESE TANKS CAN ALSO BE SUPPLIED IN BLACK COLOUR !

# WAVE CYBER TANKS

## WAVE CYBER VESSELS

### 6 " FLANGED OPENING - TRIPOD BASE

Reference	Diameter mm	Height mm	Volume L	Opening	€
0521.C3078-A3	779	1892	704	Top only	
0521.C3078-F7	779	2199	674	Top + Bottom	
0521.C3657-F7	931	1913	776	Top + Bottom	
0521.C3678-A3	931	1916	998	Top only	
0521.C3678-F7	931	2213	970	Top + Bottom	
0521.C4272-F7	1089	2360	1494	Top + Bottom	
0521.C4872-F7	1233	2360	1895	Top + Bottom	
0521.C6367-F7	1633	2044	2451	Top + Bottom	
0521.C6386-F7	1633	2475	3306	Top + Bottom	



# CALPAS TANKS

## DP SERIES – Ø 1010 - 3000 MM - 2,5 BAR

Reference	Description	€
0515.DP-1010	Filter column with lower nozzle plate Ø 1010mm – cyl. Height 1500mm Total height 2090mm	
0515.DP-1160	Filter column with lower nozzle plate Ø 1160mm – cyl. Height 1500mm Total height 2150mm	
0515.DP-1260	Filter column with lower nozzle plate Ø 1260mm – cyl. Height 1500mm Total height 2180mm	
0515.DP-1440	Filter column with lower nozzle plate Ø 1440mm – cyl. Height 1500mm Total height 2290mm	
0515.DP-1640	Filter column with lower nozzle plate Ø 1640mm – cyl. Height 1500mm Total height 2370mm	
0515.DP-1840	Filter column with lower nozzle plate Ø 1840mm – cyl. Height 1500mm Total height 24500mm	
0515.DP-2040	Filter column with lower nozzle plate Ø 2040mm – cyl. Height 1500mm Total height 2515mm	
0515.DP-2340	Filter column with lower nozzle plate Ø 2340mm – cyl. Height 1730mm Total height 2850mm	
0515.DP-2550	Filter column with lower nozzle plate Ø 2550mm – cyl. Height 1730mm Total height 2920mm	

## DPP SERIES – Ø 415 - 960 MM - 2,5 BAR

Reference	Description	€
0515.DPP-415	Filter column with upper+lower nozzle plate Ø 415mm–cyl. Height 1500mm Total height 1945mm	
0515.DPP-460	Filter column with upper+lower nozzle plate Ø 460mm–cyl. Height 1500mm Total height 1955mm	
0515.DPP-520	Filter column with upper+lower nozzle plate Ø 520mm–cyl. Height 1500mm Total height 1965mm	
0515.DPP-640	Filter column with upper+lower nozzle plate Ø 640mm–cyl. Height 1500mm Total height 2015mm	
0515.DPP-720	Filter column with upper+lower nozzle plate Ø 720mm–cyl. Height 1500mm Total height 2010mm	
0515.DPP-840	Filter column with upper+lower nozzle plate Ø 840mm–cyl. Height 1500mm Total height 2090mm	

Different max. pressure (4 / 5 / 6 kg/cm<sup>2</sup>) also available on request  
Sight glasses, Threaded In/Outlets, Polyester Flanges available on request !  
High chemical resistance (ANION) : + 5% extra cost

Drinking water / Food contact. (Ask us)

# CALPAS TANKS

## KP SERIES – Ø 1010 - 1840 MM - 2,5 BAR

Reference	Description	€
0515.KP-1010	Filter column with lower nozzle plate Ø 1010mm – cyl. Height 1500mm	
0515.KP-1160	Filter column with lower nozzle plate Ø 1160mm – cyl. Height 1500mm	
0515.KP-1260	Filter column with lower nozzle plate Ø 1260mm – cyl. Height 1500mm	
0515.KP-1440	Filter column with lower nozzle plate Ø 1440mm – cyl. Height 1500mm	
0515.KP-1640	Filter column with lower nozzle plate Ø 1640mm – cyl. Height 1500mm	
0515.KP-1840	Filter column with lower nozzle plate Ø 1840mm – cyl. Height 1500mm	

Different max. pressure (4 / 5 / 6 kg/cm<sup>2</sup>) also available on request  
Sight glasses, Threaded In/Outlets, Polyester Flanges available on request !  
High chemical resistance (ANION) : + 5% extra cost

## KPP SERIES – Ø 1010 - 1840 MM - 2,5 BAR

Reference	Description	€
0515.KPP-1010	Filter column with upper+lower nozzle plate Ø 1010mm–cyl. Height 1500mm Total height 2325mm	
0515.KPP-1160	Filter column with upper+lower nozzle plate Ø 1010mm–cyl. Height 1500mm Total height 2325mm	
0515.KPP-1260	Filter column with upper+lower nozzle plate Ø 1260mm–cyl. Height 1500mm Total height 2450mm	
0515.KPP-1440	Filter column with upper+lower nozzle plate Ø 1440mm–cyl. Height 1500mm Total height 2535mm	
0515.KPP-1640	Filter column with upper+lower nozzle plate Ø 1640mm–cyl. Height 1500mm Total height 2585mm	
0515.KPP-1840	Filter column with upper+lower nozzle plate Ø 1840mm–cyl. Height 1500mm Total height 2735mm	

Different max. pressure (4 / 5 / 6 kg/cm<sup>2</sup>) also available on request  
Sight glasses, Threaded In/Outlets, Polyester Flanges available on request !  
High chemical resistance (ANION) : + 5% extra cost

Drinking water / Food contact. (Ask us)