

## Tender text

**Project name**  
**Project ID**

**Customer**  
Contact  
E-mail  
Phone

**Company**  
Contact  
E-mail  
Phone

2025-01-20

Page 1 / 5

Pos.no	Description	Item no.
	<b>Volute casing pump</b>	
	Centrifugal pump: Etanorm 100-080-200/3002 GG	05119906
	<b>Etanorm</b>	
	Horizontal single-stage volute casing pump, ratings to EN 733, radially split volute casing with integrally cast pump feet, long-coupled design. The pump is designed with replaceable casing wear rings, closed radial impeller with multiply curved vanes, single mechanical seal or double mechanical seals to EN 12756, shaft equipped with replaceable shaft protecting sleeve in the shaft seal area. The back pull-out design allows the coupling, bearing brackets and impeller to be dismantled without the need to disconnect the pump casing from the piping.	
	<b>Operating data</b>	
	Fluid handled	: Water
	Flow rate	:
	Head	:
	Fluid temperature	: 20,00 °C
	Permissible fluid temperature (min./max.)	: 0 bis +110
	Maximum operating pressure	: ≤ 16 bar
	Ambient temperature (min./max.)	: -10 to +50°C
	<b>Motor/electronics</b>	
	MEI value	: ≥ 0,4
	Motor rating	: 30 kW
	Max. rated current	: 56,5 A
	Speed	: 500 1/min ... 3.600 1/min
	Power supply	: 3 x 380 V AC - 15 % to 480 V AC +10 %
	Motor size	: 200L
	Energy efficiency class	:
	Enclosure	: IP55
	Motor make	: KSW - IEC
	<b>Materials</b>	
	Pump casing (102)	: Grey cast iron JL1040
	Impeller (230)	: Steel/tempered steel E335/C45
	Pump shaft (210)	: Grey cast iron JL1040
	Casing cover (161)	: Grey cast iron JL1040
	Casing wear ring, suction side (502.01):	DPAF seal plate, asbestos-



## Tender text

**Project name**

**Project ID**

**Customer**

Contact

E-mail

Phone

**Company**

Contact

E-mail

Phone

2025-01-20

Page 2 / 5

---

Pos.no	Description	Item no.	Qty.	UP / EUR	TP / EUR
	free				
	Casing wear ring, discharge side (502.02): Grey cast iron GG / cast iron				
	Shaft seal type				
	: Single mechanical seal, conical casing cover				
	Shaft seal material				
	:10 = Q1Q1X4GG				
	<b>Installation</b>				
	Installation type				
	: Baseplate for the entire pump set (pump + drive)				
	<b>Dimensions and connections</b>				
	Nominal size of discharge nozzle DN2				
	: DN 080				
	Nominal diameter of suction nozzle DN1				
	: DN 100				
	Nominal pressure, suction side				
	: 16				
	Nominal pressure, discharge side				
	: 16				
	<b>Purchase order information</b>				
	Approx. net weight				
	: 390,5 kg				
	Make				
	: KSB				
	Type				
	: Etanorm 100-080-200/3002 GG				
	Material price group				
	: 55				
	<b>Material number</b>				
	: 05119906				

---

**Data sheet: technical data**

**Project name**  
**Project ID**

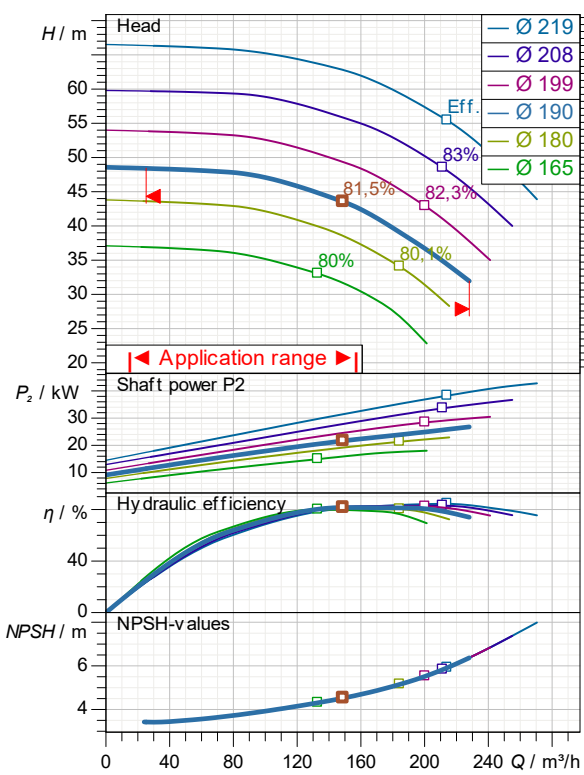
**Item-No.**  
**Design**                    **Volute casing pump**  
**Type / Coding**           **Etanorm 100-080-200/3002 GG**

**Customer**  
Contact  
E-mail  
Phone

**Company**  
Contact  
E-mail  
Phone

2025-01-20

Page 3 / 5



**demand data**

Flow  
Head  
Geodetic head  
Media                                Water  
Liquid temperature            20 °C  
Concentration                    100 %

**Pump data**

Make                                KSB  
Type                                Etanorm 100-080-200/3002 GG  
Design                             Volute casing pump  
Specific design                 Single head pump  
Max. fluid temperature        140 °C

**Hydraulic data (Duty point)**

Flow  
Head  
Efficiency  
Minimum Efficiency Index     ≥ 0,4

**Material / sealing element**

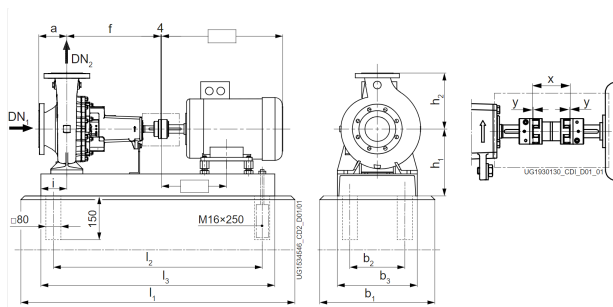
Volute casing                    Grey cast iron JL1040  
Discharge cover                Grey cast iron JL1040  
Shaft                                Steel/tempered steel E335/C45  
Impeller                            Grey cast iron JL1040  
Bearing bracket lantern        DPAF seal plate, asbestos-free  
Casing wear ring                Grey cast iron GG / cast iron

**Motor data**

Power uptake                    32,2 kW  
Rated power                      30 kW  
Speed                                2.955 1/min  
Rated voltage                      400 V  
Rated current                      56,5 A  
Degree of protection            IP55

**Product information**

Ident. No./ type key             05119906  
Weight loaded                    390,5 kg  
Gross price                        14.354,83 EUR  
PL 2025-01-20  
Price group                        55



**Data sheet: performance curve**

**Project name**  
**Project ID**

**Item-No.**  
**Design**                      **Volute casing pump**  
**Type / Coding**            **Etanorm 100-080-200/3002 GG**

**Customer**  
Contact  
E-mail  
Phone

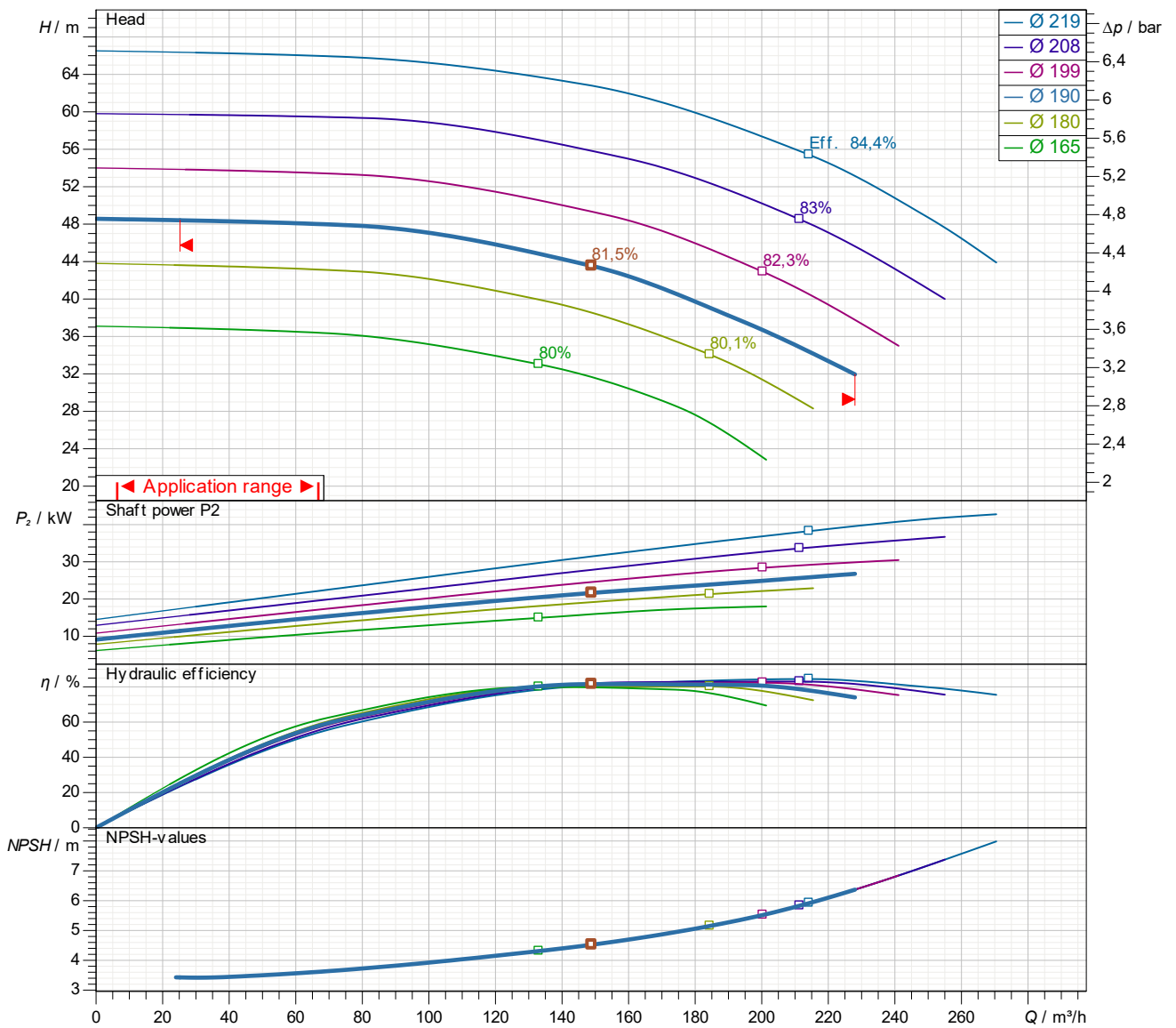
**Company**  
Contact  
E-mail  
Phone

2025-01-20

Page 4 / 5

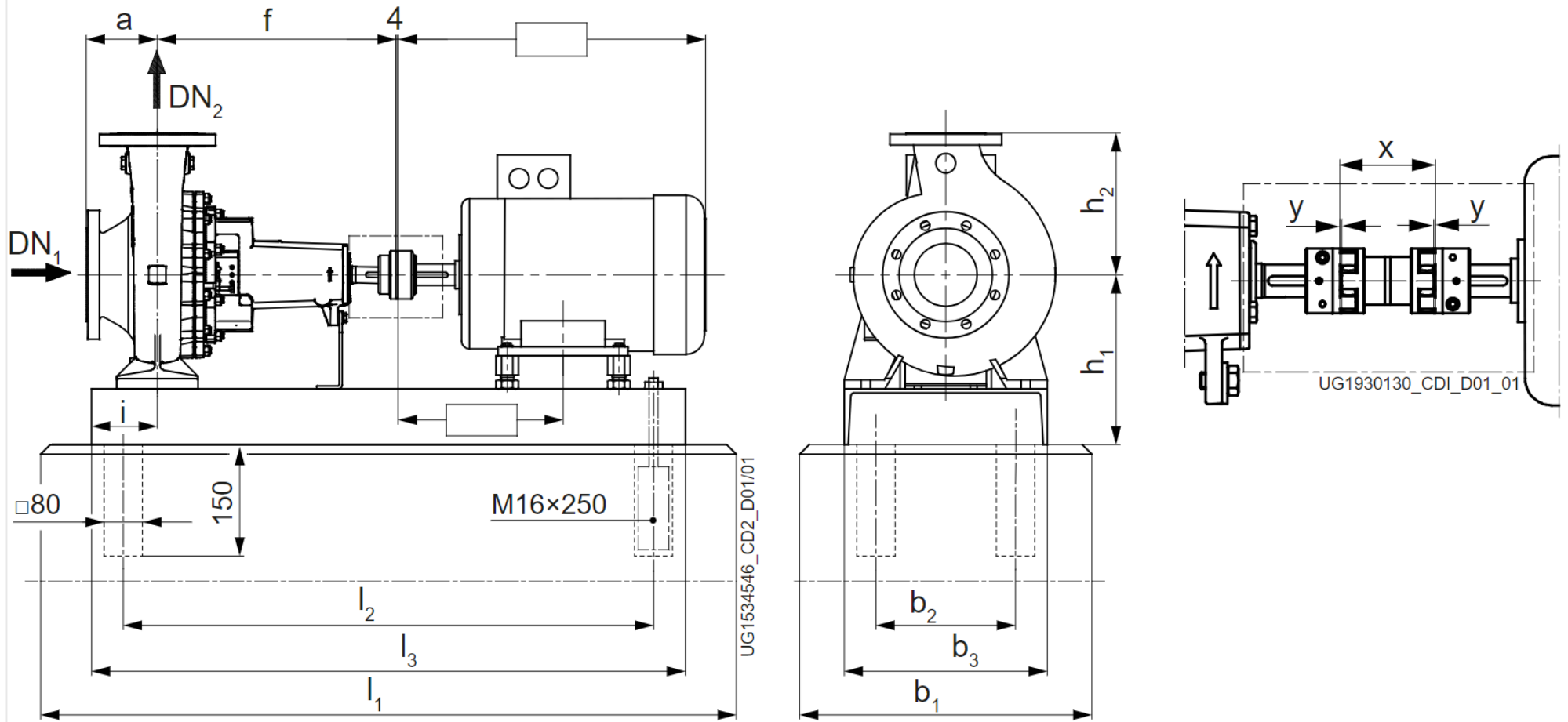
**Performance curve**

**Etanorm 100-080-200/3002 GG**



Density            998,3 kg/m<sup>3</sup>  
Viscosity        1,005 mm<sup>2</sup>/s

# Dimensions



Name	Wert	Name	Wert
a	125 mm	l2	1.190 mm
b1	550 mm	l3	1.250 mm
b2	320 mm	p1	626 mm
b3	400 mm	x	140 mm
DN1	100 mm	z	350 mm
DN2	80 mm		
f	470 mm		
h1	310 mm		
h2	250 mm		
i	112 mm		
l1	1.400 mm		