

## Tender text

Project name  
Project ID

Customer  
Contact  
E-mail  
Phone

Company  
Contact  
E-mail  
Phone

2025-01-20

Page 1 / 5

Pos.no	Description	Item no.
	<b>Volute casing pump</b>	
	Centrifugal pump: Etanorm 125-100-250/5502 GG	05119929
	<b>Etanorm</b>	
	Horizontal single-stage volute casing pump, ratings to EN 733, radially split volute casing with integrally cast pump feet, long-coupled design. The pump is designed with replaceable casing wear rings, closed radial impeller with multiply curved vanes, single mechanical seal or double mechanical seals to EN 12756, shaft equipped with replaceable shaft protecting sleeve in the shaft seal area. The back pull-out design allows the coupling, bearing brackets and impeller to be dismantled without the need to disconnect the pump casing from the piping.	
	<b>Operating data</b>	
	Fluid handled	: Water
	Flow rate	:
	Head	:
	Fluid temperature	: 20,00 °C
	Permissible fluid temperature (min./max.)	: 0 bis +110
	Maximum operating pressure	: ≤ 16 bar
	Ambient temperature (min./max.)	: -10 to +50°C
	<b>Motor/electronics</b>	
	MEI value	: ≥ 0,4
	Motor rating	: 55 kW
	Max. rated current	: 100,3 A
	Speed	: 1.000 1/min ... 3.600 1/min
	Power supply	: 3 x 380 V AC - 15 % to 480 V AC +10 %
	Motor size	: 250M
	Energy efficiency class	:
	Enclosure	: IP55
	Motor make	: KSW - IEC
	<b>Materials</b>	
	Pump casing (102)	: Grey cast iron JL1040
	Impeller (230)	: Steel/tempered steel E335/C45
	Pump shaft (210)	: Grey cast iron JL1040
	Casing cover (161)	: Grey cast iron JL1040
	Casing wear ring, suction side (502.01):	DPAF seal plate, asbestos-



## Tender text

**Project name**  
**Project ID**

**Customer**  
Contact  
E-mail  
Phone

**Company**  
Contact  
E-mail  
Phone

2025-01-20

Page 2 / 5

---

Pos.no	Description	Item no.	Qty.	UP / EUR	TP / EUR
	free				
	Casing wear ring, discharge side (502.02): Grey cast iron GG / cast iron				
	Shaft seal type				
	: Single mechanical seal, conical casing cover				
	Shaft seal material				
	:10 = Q1Q1X4GG				
	<b>Installation</b>				
	Installation type				
	: Baseplate for the entire pump set (pump + drive)				
	<b>Dimensions and connections</b>				
	Nominal size of discharge nozzle DN2				
	: DN 100				
	Nominal diameter of suction nozzle DN1				
	: DN 125				
	Nominal pressure, suction side				
	: 16				
	Nominal pressure, discharge side				
	: 16				
	<b>Purchase order information</b>				
	Approx. net weight				
	: 714,8 kg				
	Make				
	: KSB				
	Type				
	: Etanorm 125-100-250/5502 GG				
	Material price group				
	: 55				
	<b>Material number</b>				
	: 05119929				

---

**Data sheet: technical data**

**Project name**  
**Project ID**

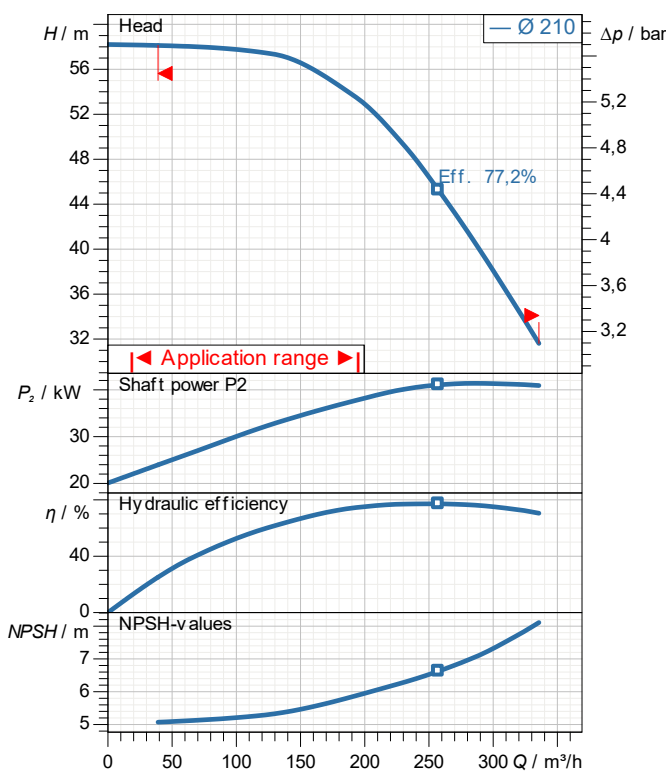
**Item-No.**  
**Design**                    **Volute casing pump**  
**Type / Coding**           **Etanorm 125-100-250/5502 GG**

**Customer**  
Contact  
E-mail  
Phone

**Company**  
Contact  
E-mail  
Phone

2025-01-20

Page 3 / 5



**demand data**

Flow  
Head  
Geodetic head  
Media                    Water  
Liquid temperature    20 °C  
Concentration           100 %

**Pump data**

Make                    KSB  
Type                    Etanorm 125-100-250/5502 GG  
Design                   Volute casing pump  
Specific design        Single head pump  
Max. fluid temperature 140 °C

**Hydraulic data (Duty point)**

Flow  
Head  
Efficiency  
Minimum Efficiency Index    ≥ 0,4

**Material / sealing element**

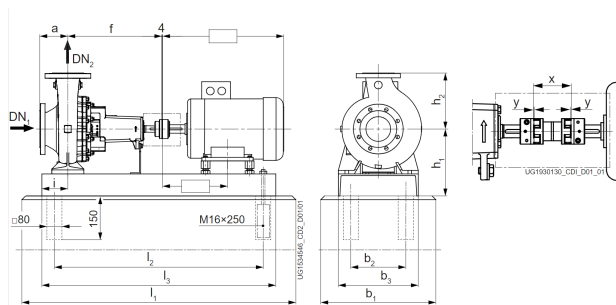
Volute casing            Grey cast iron JL1040  
Discharge cover        Grey cast iron JL1040  
Shaft                     Steel/tempered steel E335/C45  
Impeller                 Grey cast iron JL1040  
Bearing bracket lantern DPAF seal plate, asbestos-free  
Casing wear ring        Grey cast iron GG / cast iron

**Motor data**

Power uptake            58,3 kW  
Rated power             55 kW  
Speed                     2.960 1/min  
Rated voltage            400 V  
Rated current            100,3 A  
Degree of protection    IP55

**Product information**

Ident. No./ type key     05119929  
Weight loaded            714,8 kg  
Gross price              25.354,79 EUR  
PL 2025-01-20  
Price group              55



**Data sheet: performance curve**

**Project name**  
**Project ID**

**Item-No.**  
**Design**                    **Volute casing pump**  
**Type / Coding**        **Etanorm 125-100-250/5502 GG**

**Customer**  
Contact  
E-mail  
Phone

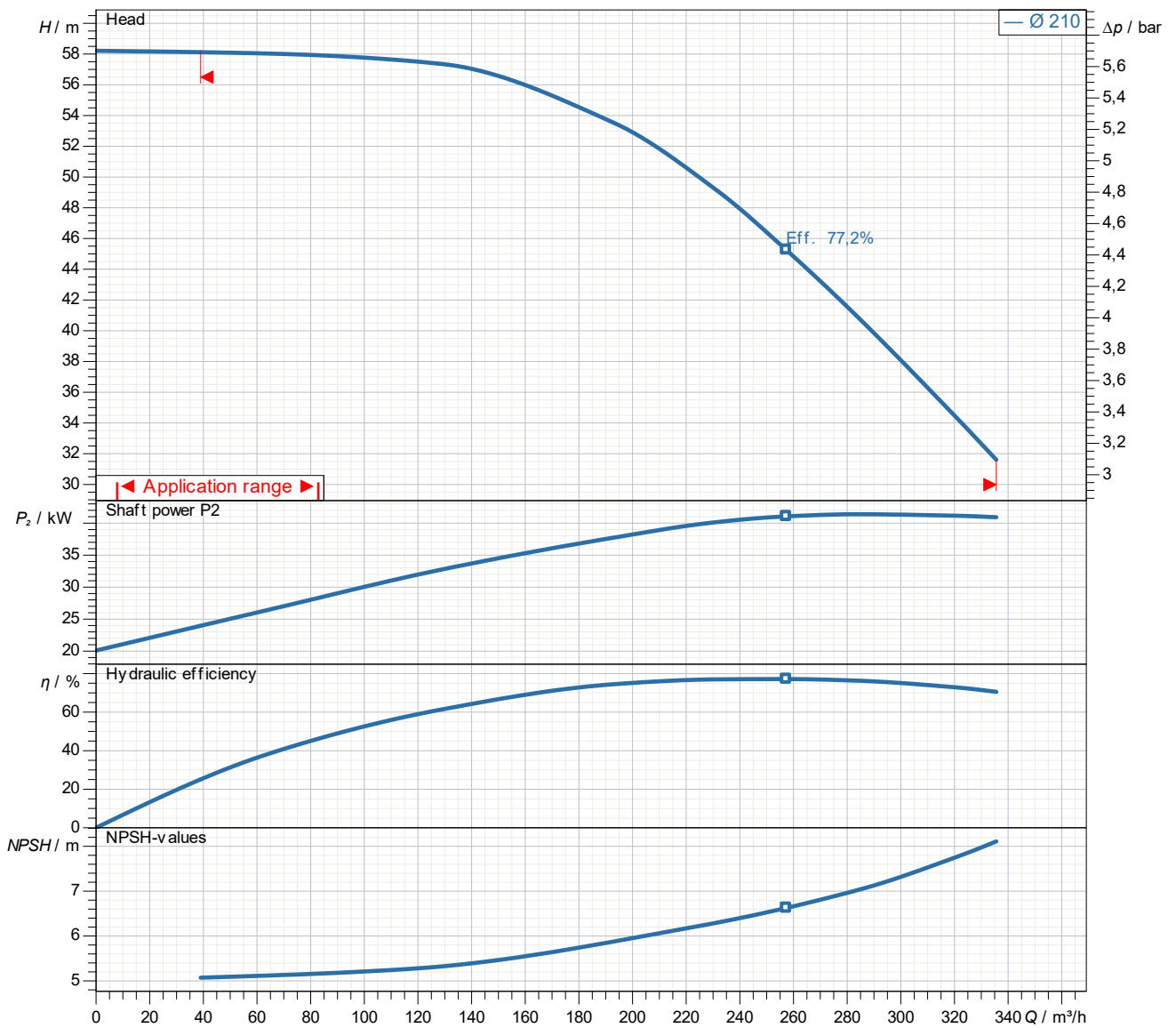
**Company**  
Contact  
E-mail  
Phone

2025-01-20

Page 4 / 5

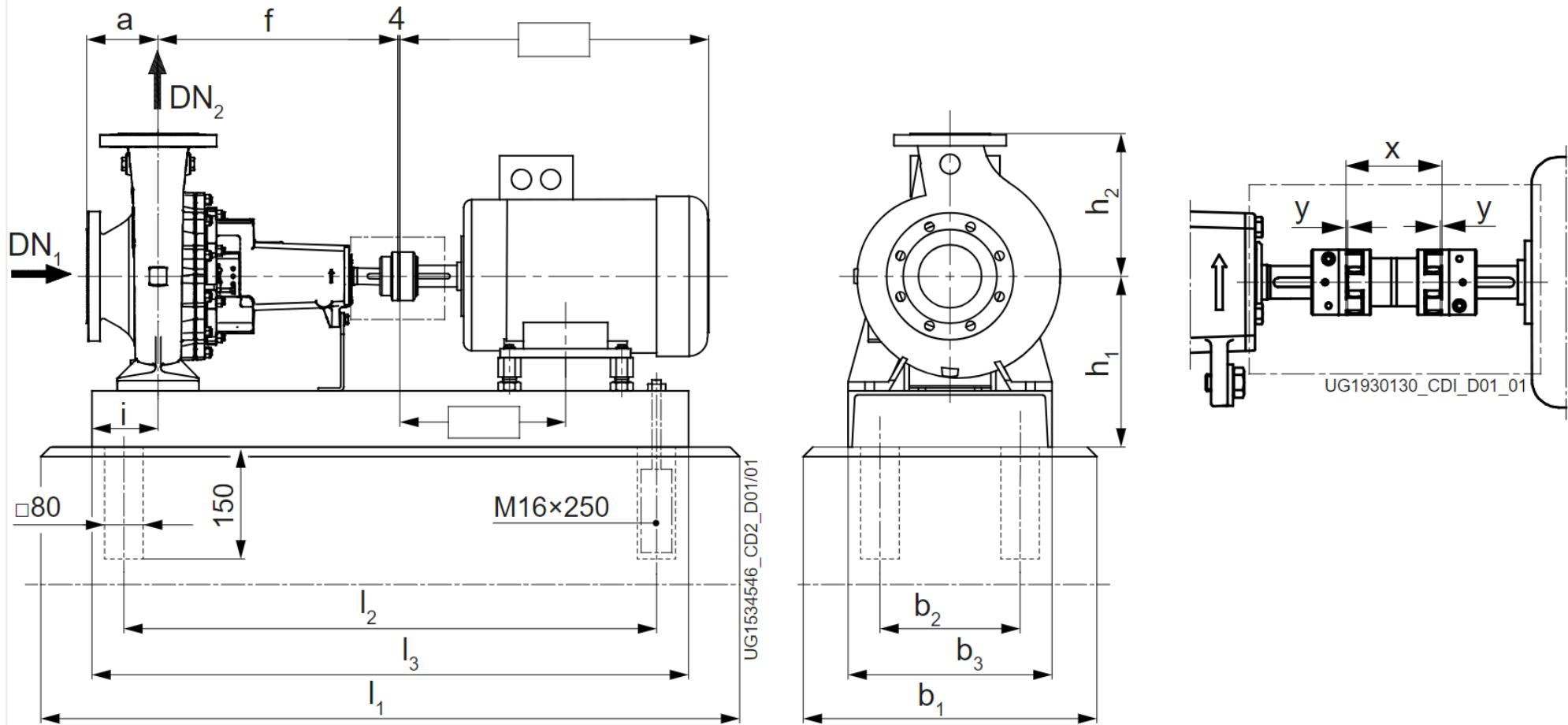
**Performance curve**

**Etanorm 125-100-250/5502 GG**



Density        998,3 kg/m<sup>3</sup>  
Viscosity     1,005 mm<sup>2</sup>/s

# Dimensions



Name	Wert	Name	Wert
a	140 mm	l2	1.060 mm
b1	810 mm	l3	1.600 mm
b2	600 mm	x	140 mm
b3	650 mm		
DN1	125 mm		
DN2	100 mm		
f	470 mm		
h1	390 mm		
h2	280 mm		
i	130 mm		
l1	1.750 mm		