

**Tender text**

**Project name**  
**Project ID**

**Customer**  
 Contact  
 E-mail  
 Phone

**Company**  
 Contact  
 E-mail  
 Phone

2025-01-20

Page 1 / 5

| <b>Pos.no</b> | <b>Description</b>   | <b>Item no.</b>                         |
|---------------|--|---|
|               | <b>Volute casing pump</b>  |   |
|               | Centrifugal pump: Etanorm 080-065-125/7,54 GG  | 05120471                                |
|               | <b>Etanorm</b>   |   |
|               | Horizontal single-stage volute casing pump, ratings to EN 733, radially split volute casing with integrally cast pump feet, long-coupled design. The pump is designed with replaceable casing wear rings, closed radial impeller with multiply curved vanes, single mechanical seal or double mechanical seals to EN 12756, shaft equipped with replaceable shaft protecting sleeve in the shaft seal area. The back pull-out design allows the coupling, bearing brackets and impeller to be dismantled without the need to disconnect the pump casing from the piping. |   |
|               | <b>Operating data</b>  |   |
|               | Fluid handled  | : Water                                 |
|               | Flow rate  | :                                       |
|               | Head   | :                                       |
|               | Fluid temperature  | : 20,00 °C                              |
|               | Permissible fluid temperature (min./max.)  | : 0 bis +110                            |
|               | Maximum operating pressure   | : ≤ 16 bar                              |
|               | Ambient temperature (min./max.)  | : -10 to +50°C                          |
|               | <b>Motor/electronics</b>   |   |
|               | MEI value  | : ≥ 0,4                                 |
|               | Motor rating   | : 0,75 kW                               |
|               | Max. rated current   | : 1,925 A                               |
|               | Speed  | : 500 1/min ... 1.800 1/min             |
|               | Power supply   | : 3 x 380 V AC - 15 % to 480 V AC +10 % |
|               | Motor size   | : 80M                                   |
|               | Energy efficiency class  | : IE3 = Premium Efficiency              |
|               | Enclosure  | : IP55                                  |
|               | Motor make   | : KSW - IEC                             |
|               | <b>Materials</b>   |   |
|               | Pump casing (102)  | : Grey cast iron JL1040                 |
|               | Impeller (230)   | : Steel/tempered steel E335/C45         |
|               | Pump shaft (210)   | : Grey cast iron JL1040                 |
|               | Casing cover (161)   | : Grey cast iron JL1040                 |
|               | Casing wear ring, suction side (502.01):   | DPAF seal plate, asbestos-              |

### Tender text

**Project name**

**Project ID**

**Customer**

Contact

E-mail

Phone

**Company**

Contact

E-mail

Phone

2025-01-20

Page 2 / 5

| Pos.no | Description  | Item no. | Qty. | UP / EUR | TP / EUR                      |
|--------|--|----------|------|----------|-------------------------------|
|        | free   |          |      |          |                               |
|        | Casing wear ring, discharge side (502.02): Grey cast iron GG / cast iron |          |      |          |                               |
|        | Shaft seal type  |          |      |          |                               |
|        | : Single mechanical seal, conical casing cover                           |          |      |          |                               |
|        | Shaft seal material  |          |      |          |                               |
|        | :10 = Q1Q1X4GG   |          |      |          |                               |
|        | <b>Installation</b>  |          |      |          |                               |
|        | Installation type  |          |      |          |                               |
|        | : Baseplate for the entire pump set (pump + drive)                       |          |      |          |                               |
|        | <b>Dimensions and connections</b>  |          |      |          |                               |
|        | Nominal size of discharge nozzle DN2                                     |          |      |          | : DN 65                       |
|        | Nominal diameter of suction nozzle DN1                                   |          |      |          | : DN 80                       |
|        | Nominal pressure, suction side   |          |      |          | : 16                          |
|        | Nominal pressure, discharge side   |          |      |          | : 16                          |
|        | <b>Purchase order information</b>  |          |      |          |                               |
|        | Approx. net weight   |          |      |          | : 97,44 kg                    |
|        | Make   |          |      |          | : KSB                         |
|        | Type   |          |      |          | : Etanorm 080-065-125/7,54 GG |
|        | Material price group   |          |      |          | : 55                          |
|        | <b>Material number</b>   |          |      |          | : 05120471                    |

**Data sheet: technical data**

**Project name**  
**Project ID**

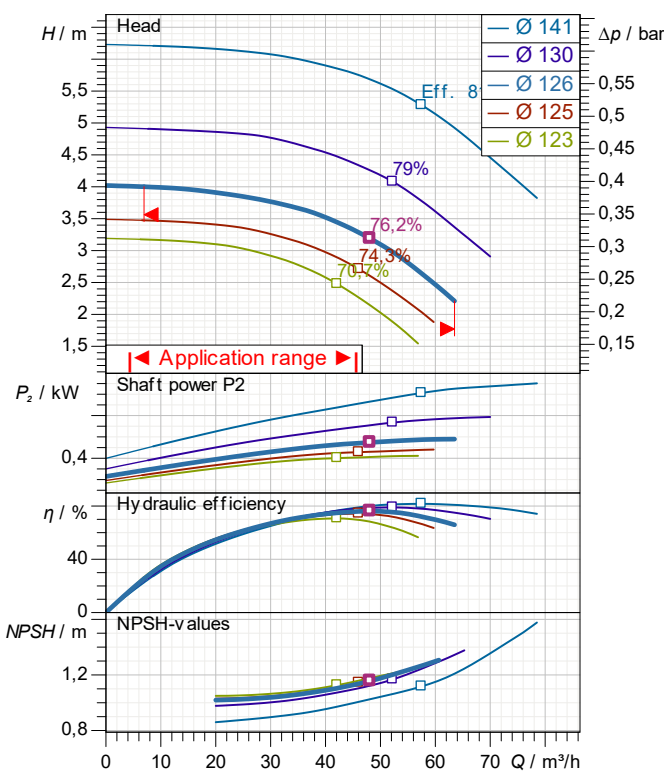
**Item-No.**  
**Design**                      **Volute casing pump**  
**Type / Coding**              **Etanorm 080-065-125/7,54 GG**

**Customer**  
Contact  
E-mail  
Phone

**Company**  
Contact  
E-mail  
Phone

2025-01-20

Page 3 / 5



**demand data**

Flow  
Head  
Geodetic head  
Media                              Water  
Liquid temperature            20 °C  
Concentration                    100 %

**Pump data**

Make                                KSB  
Type                                Etanorm 080-065-125/7,54 GG  
Design                             Volute casing pump  
Specific design                 Single head pump  
Max. fluid temperature        140 °C

**Hydraulic data (Duty point)**

Flow  
Head  
Efficiency  
Minimum Efficiency Index     ≥ 0,4

**Material / sealing element**

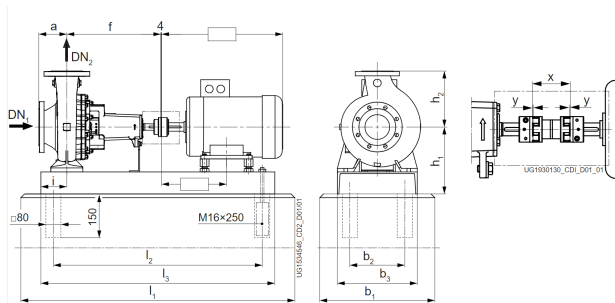
Volute casing                    Grey cast iron JL1040  
Discharge cover                Grey cast iron JL1040  
Shaft                                Steel/tempered steel E335/C45  
Impeller                            Grey cast iron JL1040  
Bearing bracket lantern        DPAF seal plate, asbestos-free  
Casing wear ring                Grey cast iron GG / cast iron

**Motor data**

Power uptake                    0,909 kW  
Rated power                      0,75 kW  
Speed                                1.420 1/min  
Rated voltage                    400 V  
Rated current                    1,925 A  
Degree of protection            IP55

**Product information**

Ident. No./ type key            05120471  
Weight loaded                    97,44 kg  
Gross price                        6.332,52 EUR  
PL 2025-01-20  
Price group                        55



**Data sheet: performance curve**

**Project name**  
**Project ID**

**Item-No.**  
**Design**                    **Volute casing pump**  
**Type / Coding**           **Etanorm 080-065-125/7,54 GG**

**Customer**  
Contact  
E-mail  
Phone

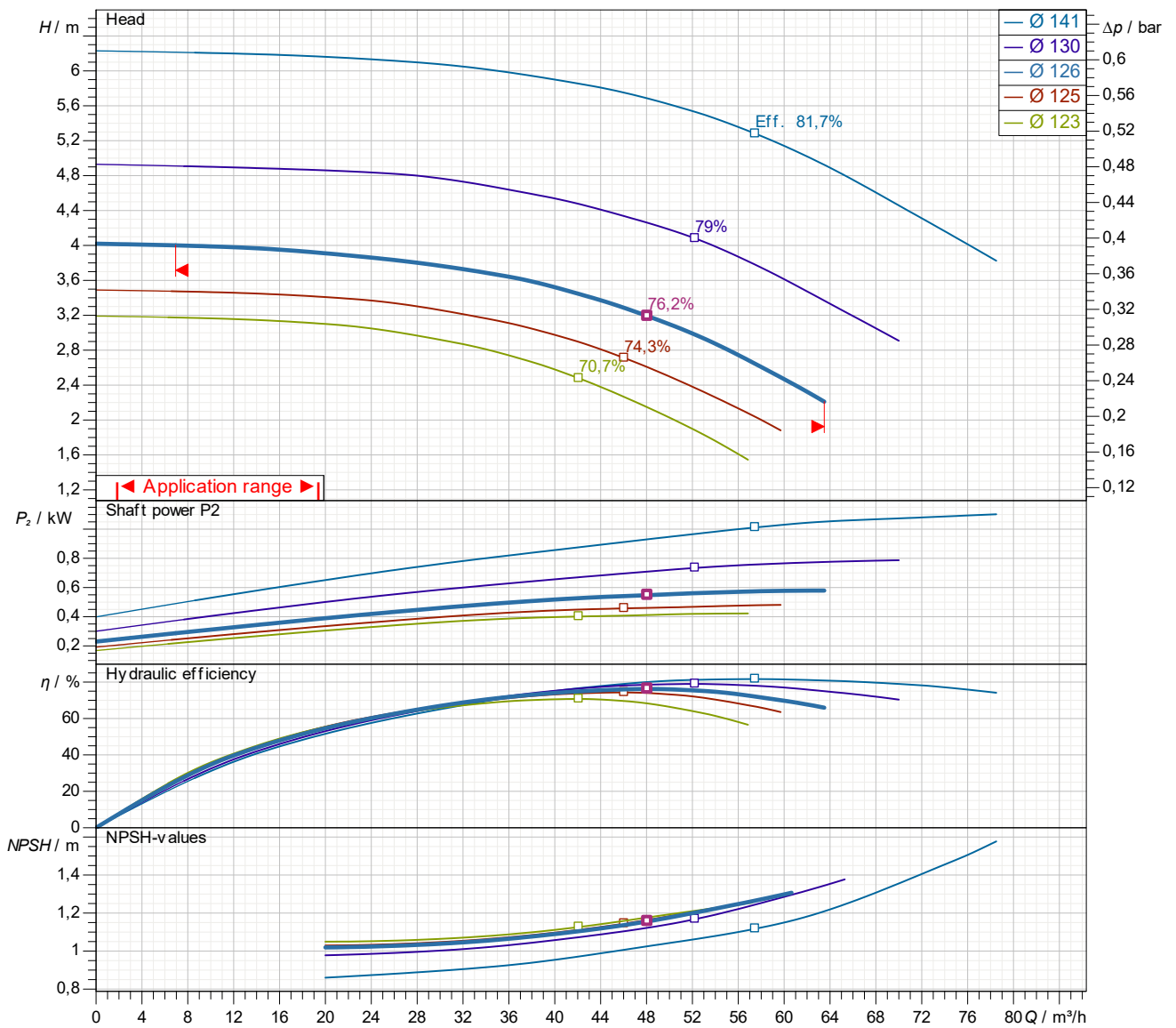
**Company**  
Contact  
E-mail  
Phone

2025-01-20

Page 4 / 5

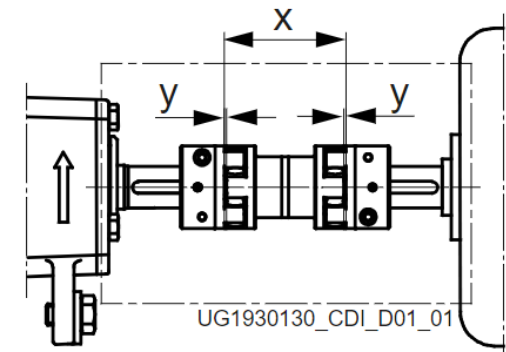
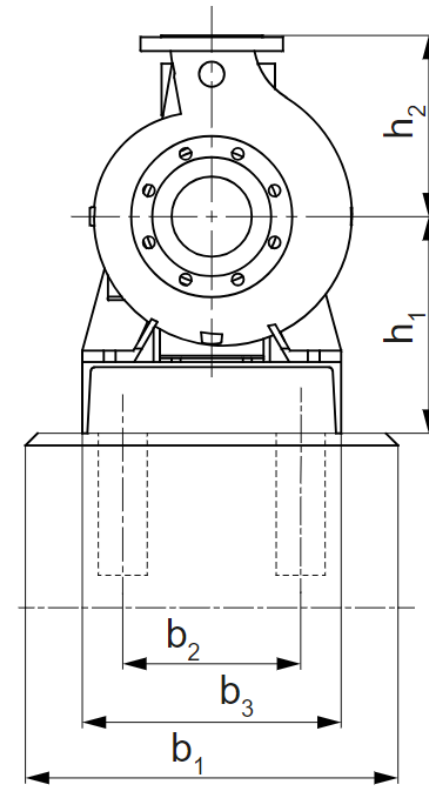
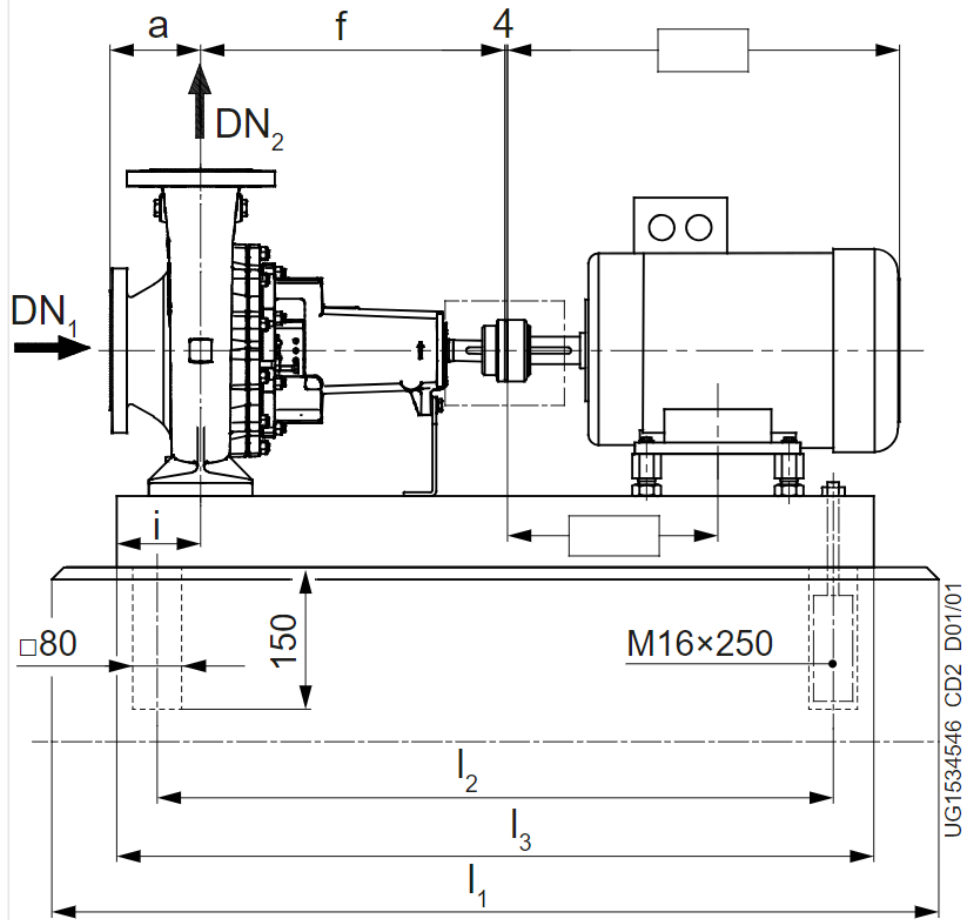
**Performance curve**

**Etanorm 080-065-125/7,54 GG**



Density            998,3  $kg/m^3$   
Viscosity        1,005  $mm^2/s$

# Dimensions



| Name | Wert   | Name | Wert   |
|------|--------|------|--------|
| a    | 100 mm | l2   | 650 mm |
| b1   | 450 mm | l3   | 710 mm |
| b2   | 240 mm | p1   | 294 mm |
| b3   | 300 mm | x    | 100 mm |
| DN1  | 80 mm  | z    | 190 mm |
| DN2  | 65 mm  |      |        |
| f    | 360 mm |      |        |
| h1   | 260 mm |      |        |
| h2   | 180 mm |      |        |
| i    | 112 mm |      |        |
| l1   | 860 mm |      |        |