

Tender text

Project name
Project ID

Customer
 Contact
 E-mail
 Phone

Company
 Contact
 E-mail
 Phone

2025-01-20

Page 1 / 6

Pos.no	Description	Item no.																								
	Volute casing pump																									
	Centrifugal pump: Etanorm PumpDrive 065-050-315/304 GG	05122643																								
	Etanorm PumpDrive																									
	Horizontal single-stage volute casing pump, ratings to EN 733, radially split volute casing with integrally cast pump feet, long-coupled design. The pump is designed with replaceable casing wear rings, closed radial impeller with multiply curved vanes, single mechanical seal or double mechanical seals to EN 12756, shaft equipped with replaceable shaft protecting sleeve in the shaft seal area. The back pull-out design allows the coupling, bearing brackets and impeller to be dismantled without the need to disconnect the pump casing from the piping.																									
	<p>PumpDrive 2 frequency inverter Self-cooling frequency inverter is mounted directly on the motor. Controlled by integrated PI controller. Controlled variables are pressure, differential pressure, flow rate, temperature. Display and setting of all operating parameters via a control unit with graphical display. Setpoint adjustment or control via external standard signal or via the control unit. Protective function for drive and pump. Pump and drive parameters pre-set at the factory.</p>																									
	<p>Design:</p> <table border="0"> <tr> <td>Mains voltage</td> <td>: 3~ 380 V AC -10 % to 480 V AC +10 %</td> </tr> <tr> <td>Mains frequency</td> <td>: 50 - 60 Hz ± 2 %</td> </tr> <tr> <td>Internal power supply unit</td> <td>: 24 V ± 10 %, max. 600 mA DC</td> </tr> <tr> <td>Enclosure</td> <td>: IP55 (to EN 60529)</td> </tr> <tr> <td>Ambient temperature</td> <td>: -10 °C to +50 °C</td> </tr> <tr> <td>Relative humidity in operation</td> <td>: 5 % to 85 %, non-condensing</td> </tr> <tr> <td>Service interface</td> <td>: optical</td> </tr> <tr> <td>Analog input</td> <td>: 2 x 0/2 - 10 V or 0/4 - 20 mA</td> </tr> <tr> <td>Analog output</td> <td>: 1 x 0 - 10 V or 4 - 20 mA</td> </tr> <tr> <td>Digital input</td> <td>: 1 x hardware enable input, 5 x parameterisable</td> </tr> <tr> <td>Relay output</td> <td>: 2 changeover contacts, parameterisable</td> </tr> <tr> <td>Bus systems (optional)</td> <td>: Modbus RTU, Profibus DP, LON, BACnet MS/TP, Profinet</td> </tr> </table>		Mains voltage	: 3~ 380 V AC -10 % to 480 V AC +10 %	Mains frequency	: 50 - 60 Hz ± 2 %	Internal power supply unit	: 24 V ± 10 %, max. 600 mA DC	Enclosure	: IP55 (to EN 60529)	Ambient temperature	: -10 °C to +50 °C	Relative humidity in operation	: 5 % to 85 %, non-condensing	Service interface	: optical	Analog input	: 2 x 0/2 - 10 V or 0/4 - 20 mA	Analog output	: 1 x 0 - 10 V or 4 - 20 mA	Digital input	: 1 x hardware enable input, 5 x parameterisable	Relay output	: 2 changeover contacts, parameterisable	Bus systems (optional)	: Modbus RTU, Profibus DP, LON, BACnet MS/TP, Profinet
Mains voltage	: 3~ 380 V AC -10 % to 480 V AC +10 %																									
Mains frequency	: 50 - 60 Hz ± 2 %																									
Internal power supply unit	: 24 V ± 10 %, max. 600 mA DC																									
Enclosure	: IP55 (to EN 60529)																									
Ambient temperature	: -10 °C to +50 °C																									
Relative humidity in operation	: 5 % to 85 %, non-condensing																									
Service interface	: optical																									
Analog input	: 2 x 0/2 - 10 V or 0/4 - 20 mA																									
Analog output	: 1 x 0 - 10 V or 4 - 20 mA																									
Digital input	: 1 x hardware enable input, 5 x parameterisable																									
Relay output	: 2 changeover contacts, parameterisable																									
Bus systems (optional)	: Modbus RTU, Profibus DP, LON, BACnet MS/TP, Profinet																									
	Operating data																									

Tender text

Project name
Project ID

Customer
Contact
E-mail
Phone

Company
Contact
E-mail
Phone

2025-01-20

Page 2 / 6

Pos.no	Description	Item no.	Qty.	UP / EUR	TP / EUR
	Fluid handled : Water				
	Flow rate :				
	Head :				
	Fluid temperature : 20,00 °C				
	Permissible fluid temperature (min./max.) : 0 bis +110				
	Maximum operating pressure : ≤ 16 bar				
	Ambient temperature (min./max.) : -10 to +50°C				
	Motor/electronics				
	MEI value : ≥ 0,4				
	Motor rating : 3 kW				
	Max. rated current : 7,8 A				
	Speed : 500 1/min ... 1.800 1/min				
	Power supply : 3 x 380 V AC - 15 % to 480 V AC +10 %				
	Motor size : 100L				
	Energy efficiency class : IE5				
	Enclosure : IP55				
	Motor make : KSB-Standard				
	Materials				
	Pump casing (102) : Grey cast iron JL1040				
	Impeller (230) : Steel/tempered steel E335/C45				
	Pump shaft (210) : Grey cast iron JL1040				
	Casing cover (161) : Grey cast iron JL1040				
	Casing wear ring, suction side (502.01): DPAF seal plate, asbestos-free				
	Casing wear ring, discharge side (502.02): Grey cast iron GG / cast iron				
	Shaft seal type : Single mechanical seal, conical casing cover				
	Shaft seal material : 11 = BQ1EGG				
	Installation				
	Installation type : Baseplate for the entire pump set (pump + drive)				
	Dimensions and connections				
	Nominal size of discharge nozzle DN2 : DN 50				
	Nominal diameter of suction nozzle DN1 : DN 65				
	Nominal pressure, suction side : 16				
	Nominal pressure, discharge side : 16				



Tender text

Project name

Project ID

Customer

Contact

E-mail

Phone

Company

Contact

E-mail

Phone

2025-01-20

Page 3 / 6

Pos.no	Description	Item no.	Qty.	UP / EUR	TP / EUR
	Purchase order information				
	Approx. net weight	: 196,7 kg			
	Make	: KSB			
	Type	: Etanorm PumpDrive 065-050-315/304			
	GG				
	Material price group	: 55			
	Material number	: 05122643			
	Frequency controller: PumpDrive2		1		

Data sheet: technical data

Project name
Project ID

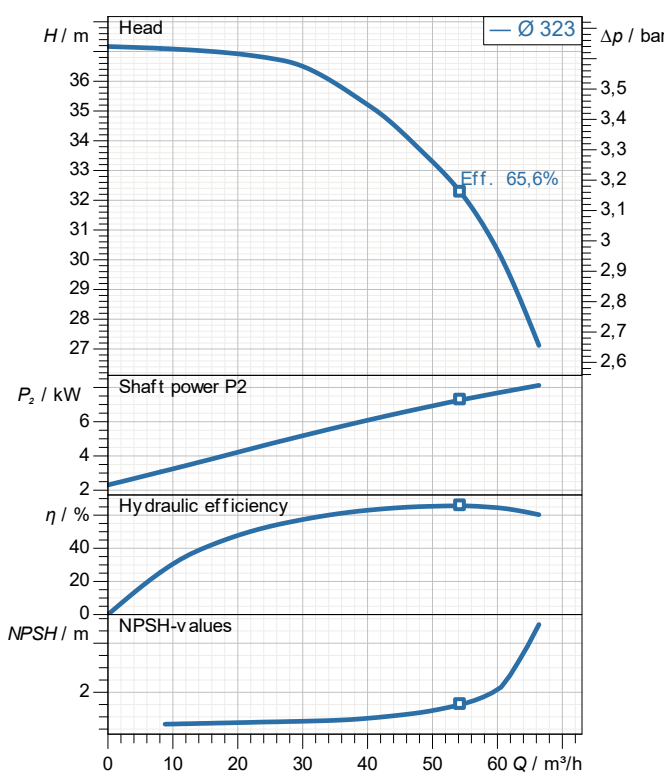
Item-No.
Design **Volute casing pump**
Type / Coding **Etanorm PumpDrive 065-050-315/304 GG**

Customer
Contact
E-mail
Phone

Company
Contact
E-mail
Phone

2025-01-20

Page 4 / 6



demand data

Flow
Head
Geodetic head
Media Water
Liquid temperature 20 °C
Concentration 100 %

Pump data

Make KSB
Type Etanorm PumpDrive 065-050-315/304 GG
Design Volute casing pump
Specific design Single head pump
Max. fluid temperature 140 °C

Hydraulic data (Duty point)

Flow
Head
Efficiency
Minimum Efficiency Index ≥ 0,4

Material / sealing element

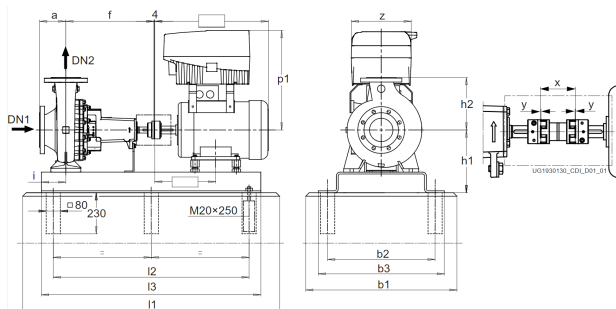
Volute casing Grey cast iron JL1040
Discharge cover Grey cast iron JL1040
Shaft Steel/tempered steel E335/C45
Impeller Grey cast iron JL1040
Bearing bracket lantern DPAF seal plate, asbestos-free
Casing wear ring Grey cast iron GG / cast iron

Motor data

Power uptake 3,32 kW
Rated power 3 kW
Speed 1.500 1/min
Rated voltage 400 V
Rated current 7,8 A
Degree of protection IP55

Product information

Ident. No./ type key 05122643
Weight loaded 196,7 kg
Gross price 14.131,39 EUR
PL 2025-01-20
Price group 55



Data sheet: performance curve

Project name
Project ID

Item-No.
Design **Volute casing pump**
Type / Coding **Etanorm PumpDrive 065-050-315/304 GG**

Customer
Contact
E-mail
Phone

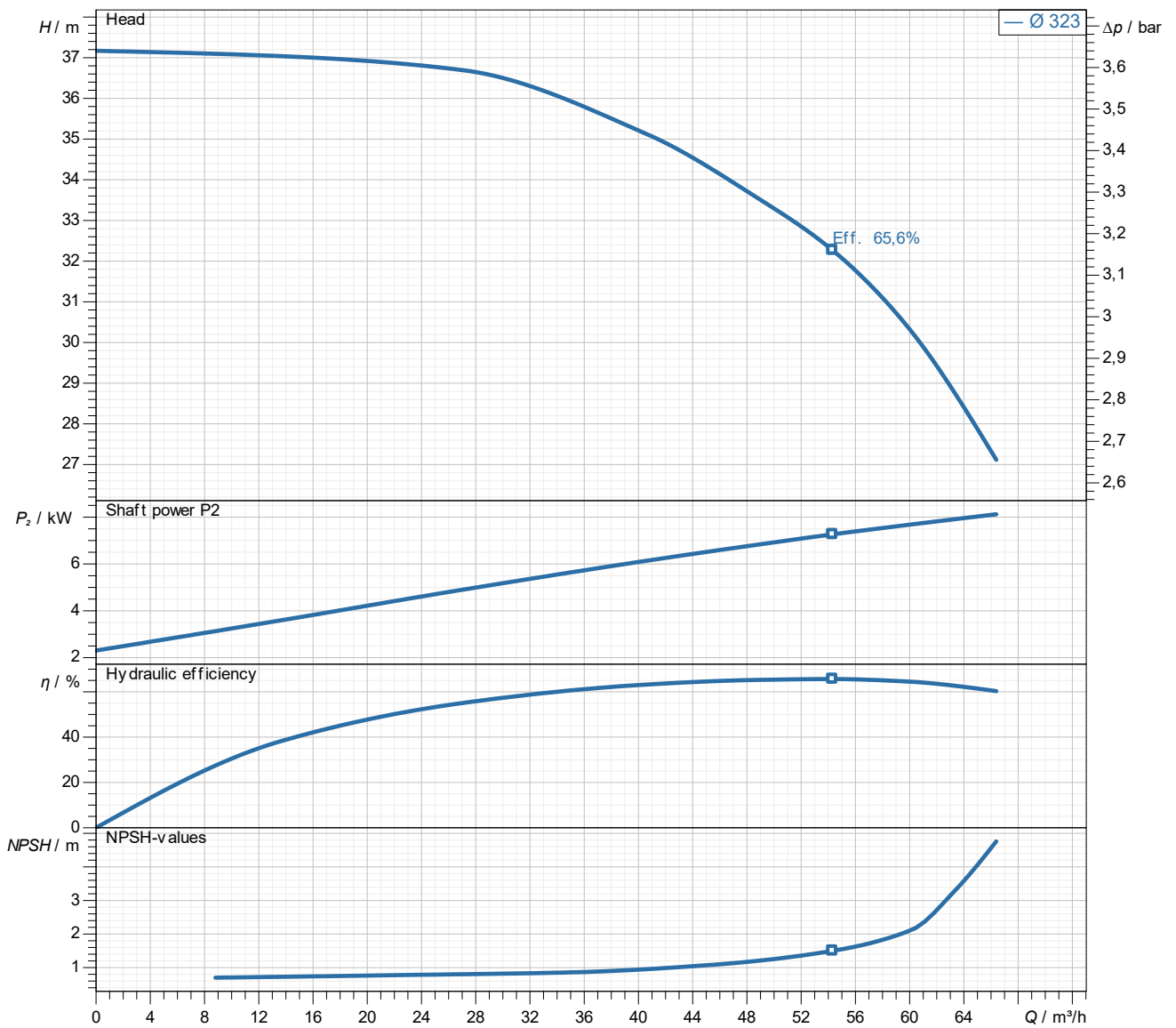
Company
Contact
E-mail
Phone

2025-01-20

Page 5 / 6

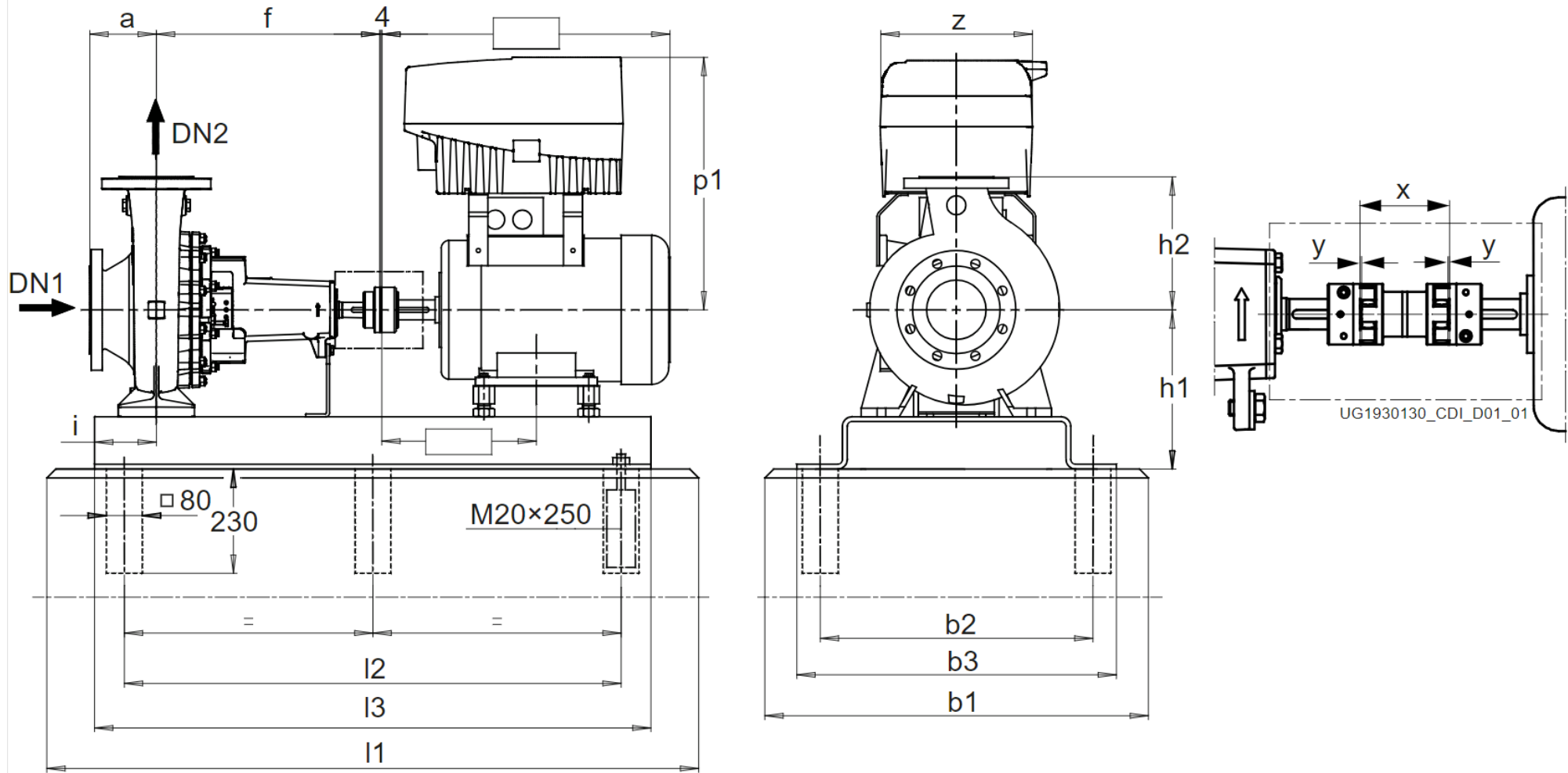
Performance curve

Etanorm PumpDrive 065-050-315/304 GG



Density 998,3 kg/m³
Viscosity 1,005 mm²/s

Dimensions



Name	Wert	Name	Wert
a	125 mm	l2	940 mm
b1	500 mm	l3	1.000 mm
b2	280 mm	x	100 mm
b3	350 mm		
DN1	65 mm		
DN2	50 mm		
f	470 mm		
h1	325 mm		
h2	280 mm		
i	112 mm		
l1	1.150 mm		